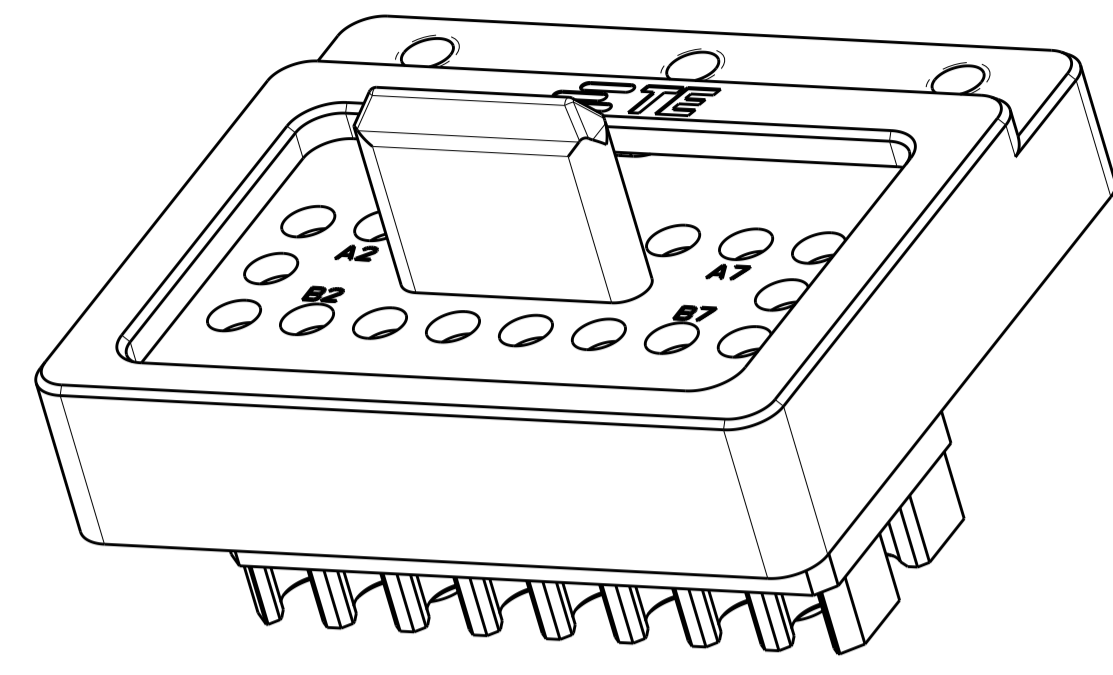
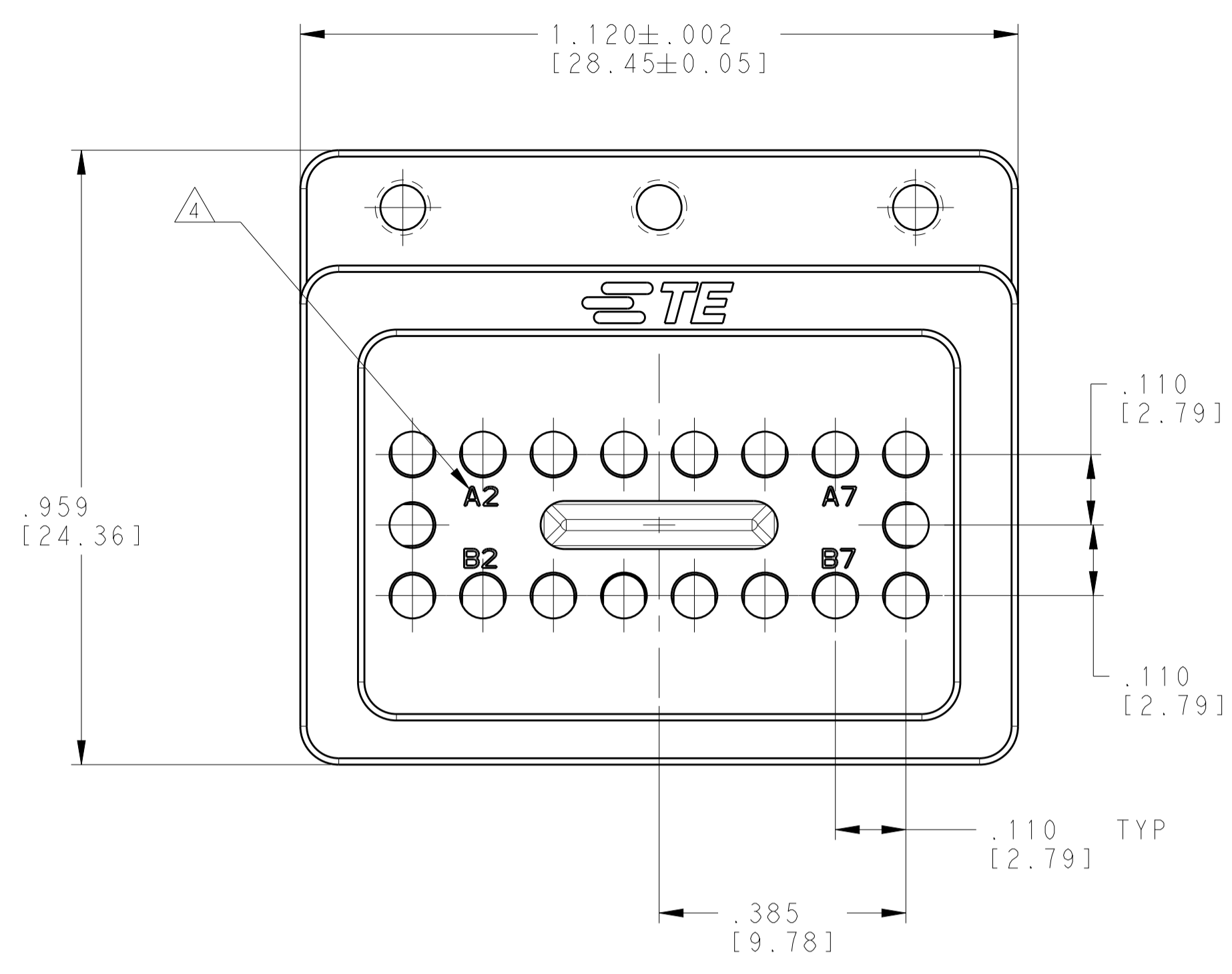
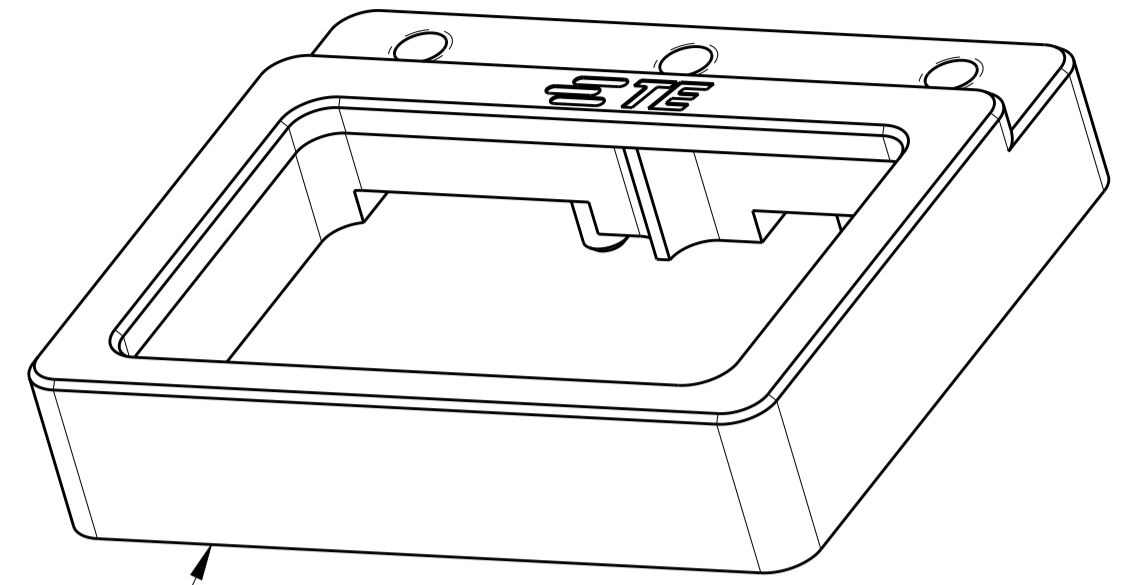


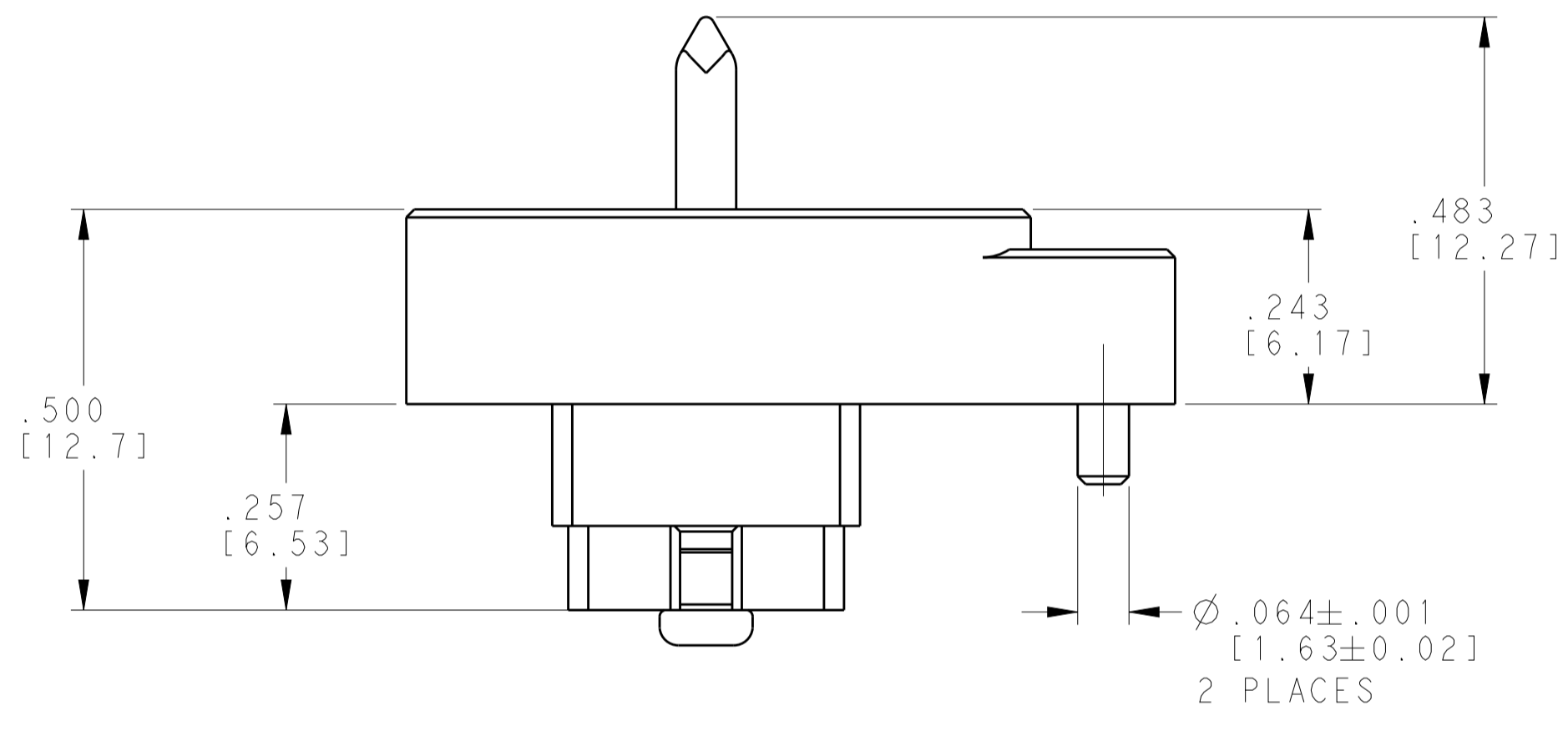
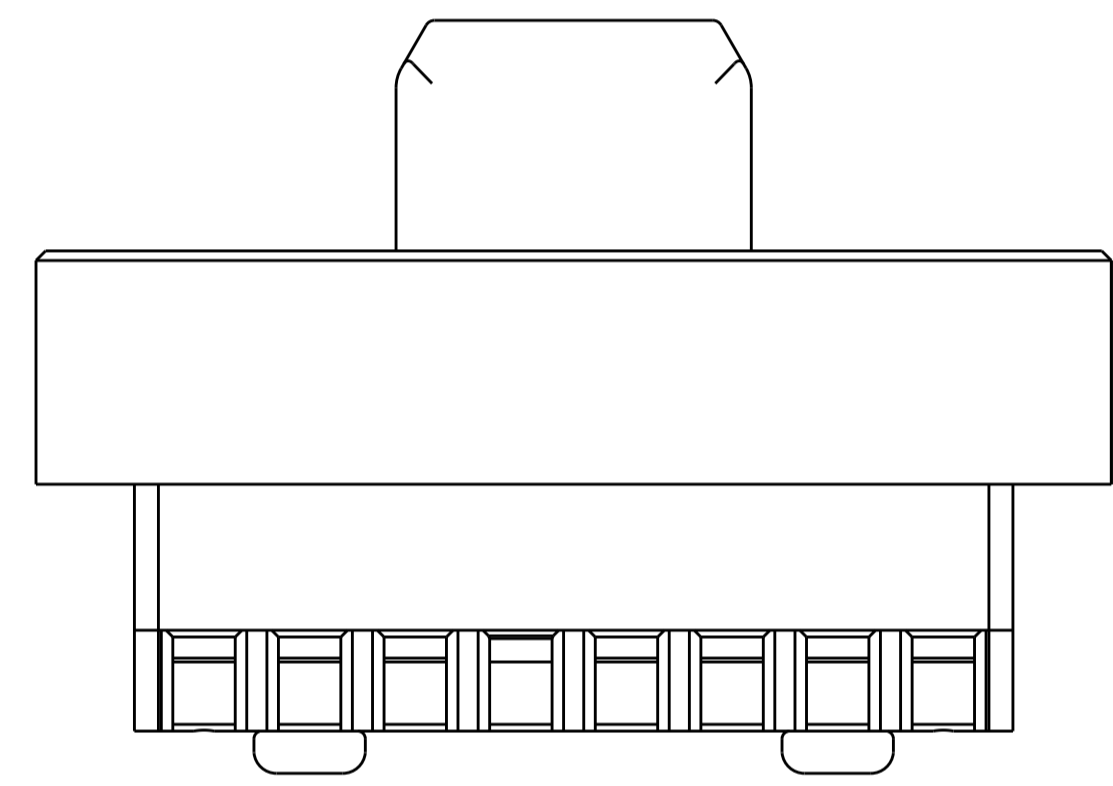
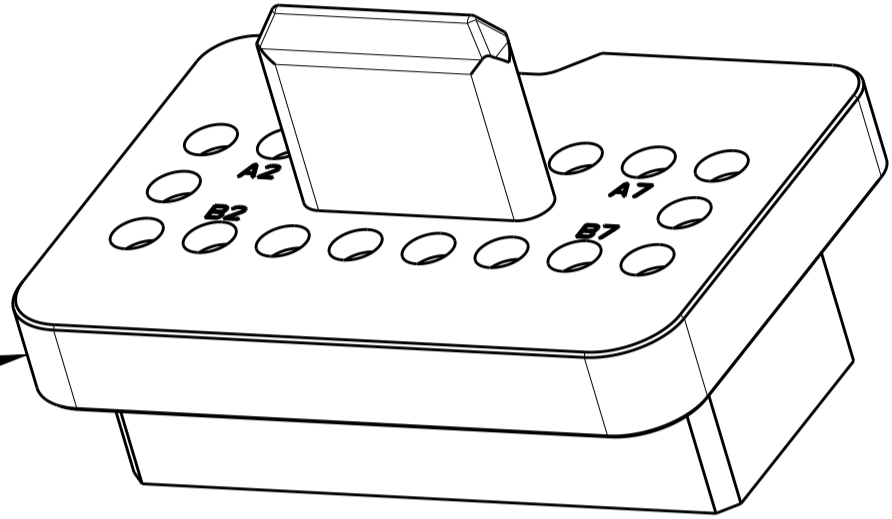
REVISIONS				
P.	LTN.	DESCRIPTION	DATE	OWN. / APVD.
A		RELEASED	8-13-19	CT / FB



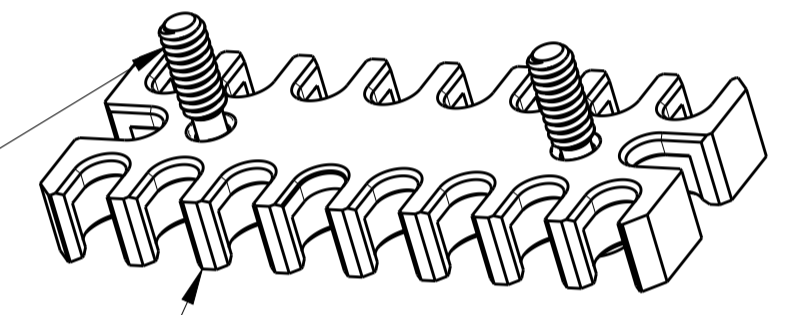
SCALE 4:1



MODULE BODIES

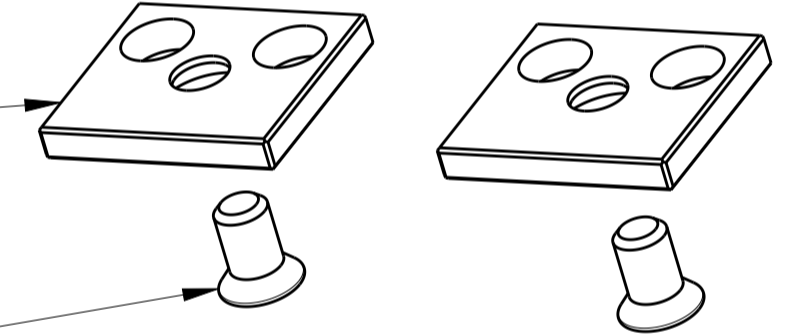


0-80 UNF CAPTIVE SCREW (TORX DRIVE)



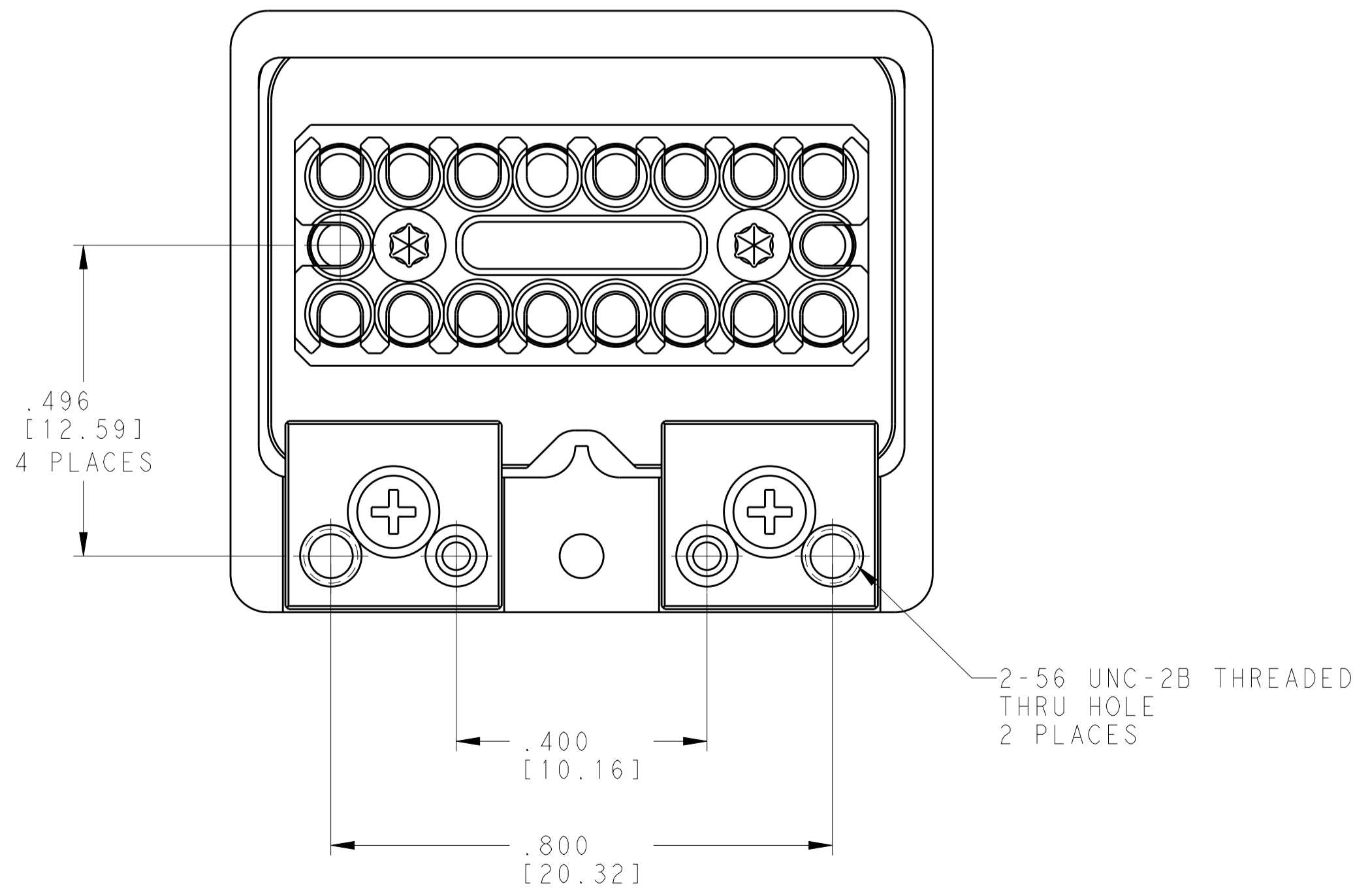
CONTACT BACKPLATE

MODULE BACKPLATE



MODULE BACKPLATE SCREW #1-72 UNF FLAT HEAD (TORX DRIVE)

SCALE 4:1



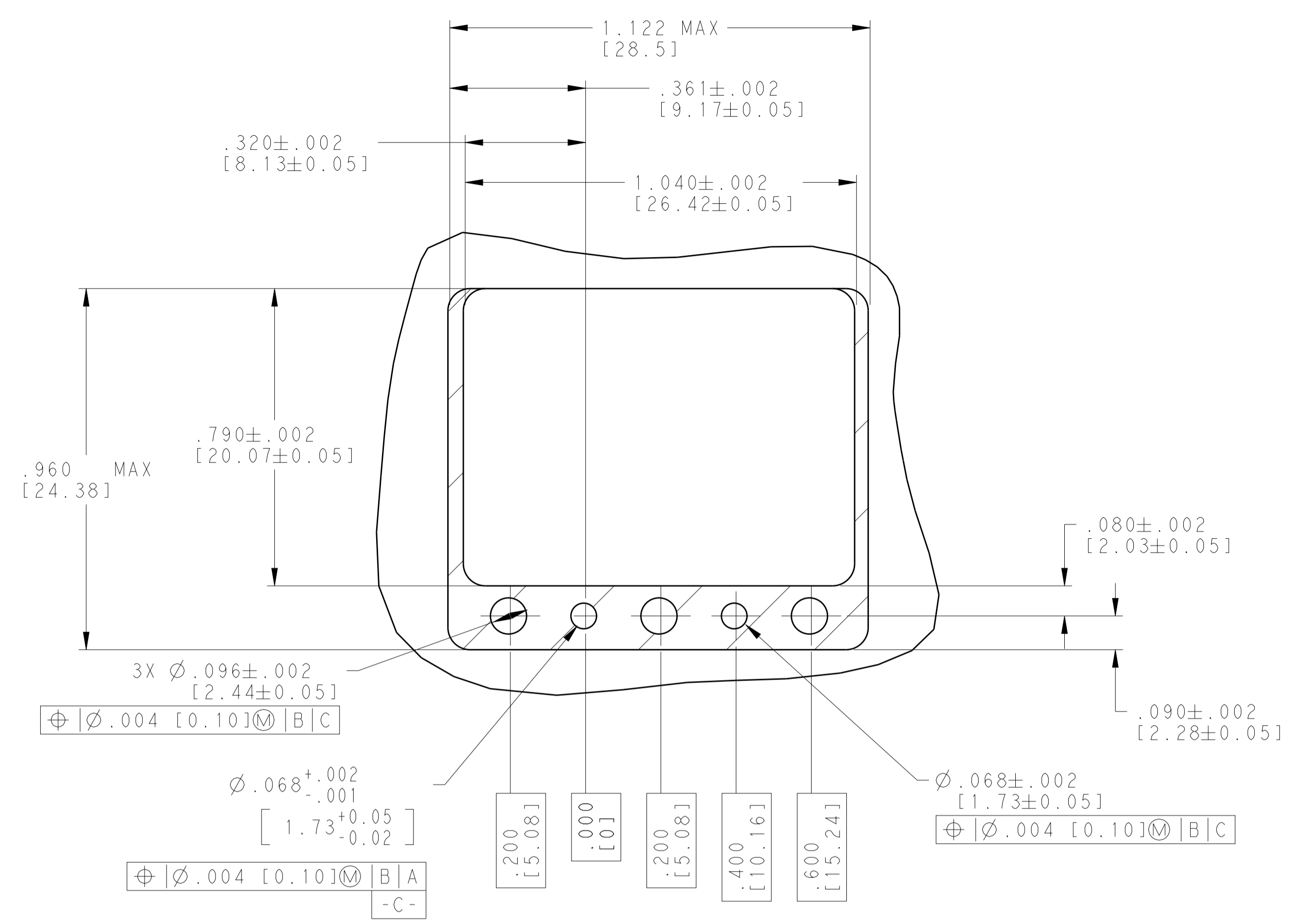
2-56 UNC-2B THREADED THRU HOLE 2 PLACES

- 1 MATERIAL:
MODULE BODIES AND BACKPLATES - SEE TABLE
SCREWS - 300 SERIES STAINLESS STEEL
- 2 FINISH:
MODULE BODIES - SEE TABLE
SCREWS - PASSIVATED
- 3 SHIPPED IN KIT FORM. CONTACT BACKPLATE SCREWS TO BE ASSEMBLED TO CONTACT BACKPLATE. MODULE BODIES TO BE ASSEMBLED TOGETHER WITH MODULE BACKPLATE AND MODULE BACKPLATE SCREW.
- 4 CIRCUIT IDENTIFICATION MARKING
- 5. DESIGNED TO BE USED WITH CONTACTS 2302345-1

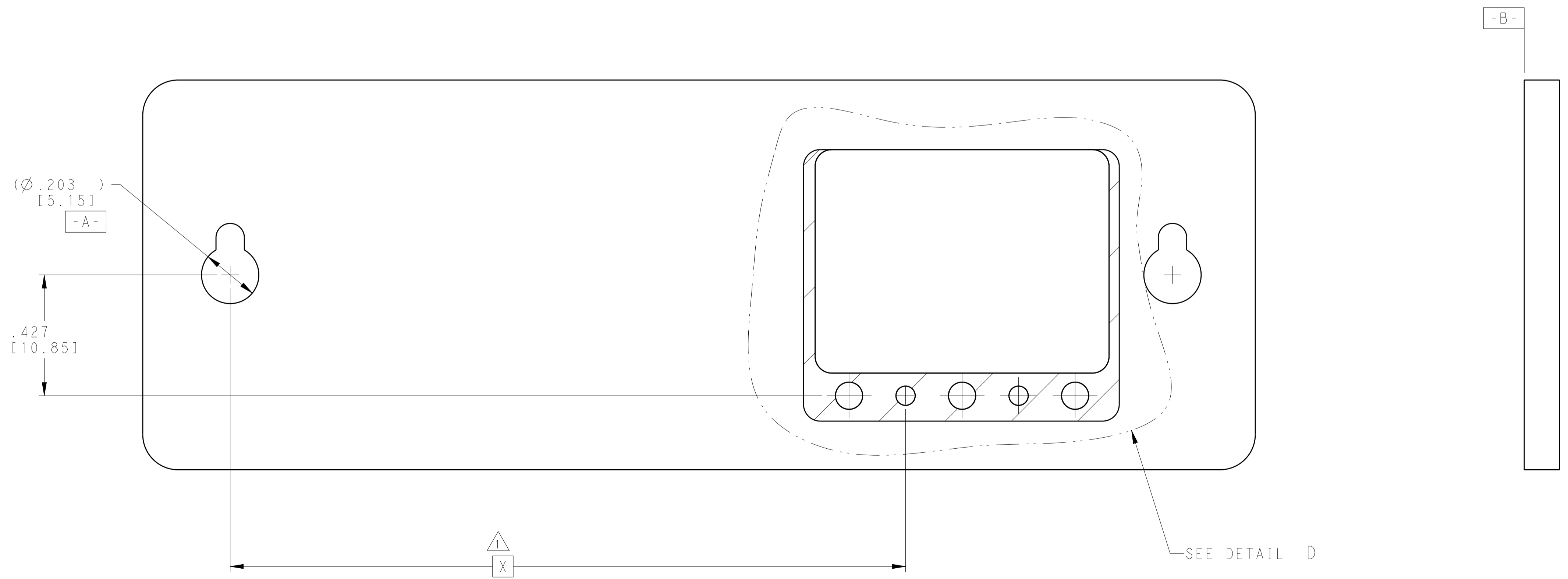
CLEAR CHROMATE CONVERSION COATING	ALUMINUM ALLOY 7075	2343040-2
PASSIVATED	STAINLESS STEEL PER UNS S30300	2343040-1
MODULE FINISH 2	MODULE MATERIAL 1	PART NUMBER

THIS DRAWING IS A CONTROLLED DOCUMENT.		OWN. C.C. THOMAS 8-6-19	TE Connectivity
DIMENSIONS: INCHES [mm]		CHK. F. BLASICK 8-6-19	
TOLERANCES UNLESS OTHERWISE SPECIFIED:		APVD. F. BLASICK 8-6-19	NAME: 18 POSITION NanoRF MODULE P.C.B. MOUNT BACKPLANE VITA 67.3C FOOTPRINT COMPATIBLE
0 PLC ±		PRODUCT SPEC 108-163006	
1 PLC ±		APPLICATION SPEC 408-163016	SIZE: A1 CAGE CODE: 00779 DRAWING NO: 2343040
2 PLC ±		WEIGHT	
3 PLC ±.005 (0.13)		CUSTOMER DRAWING	RESTRICTED TO
4 PLC ±		SCALE 5:1	SHEET 1 OF 2
ANGLES ±		REV A	

REVISIONS				
P.	LTN	DESCRIPTION	DATE	APVD
-	-	SEE SHEET 1	-	-



DETAIL D
 SCALE 4:1



SEE VITA 67 SPECIFICATIONS FOR CONNECTOR LOCATION ON BACKPLANE PCB.

THIS DRAWING IS A CONTROLLED DOCUMENT.		DWN L.SIPE 13AUG2018	TE Connectivity
DIMENSIONS: INCHES/mm		CHK F.BLASICK 13AUG2018	
TOLERANCES UNLESS OTHERWISE SPECIFIED: 0 PLC ± 1 PLC ± 2 PLC ± 3 PLC ±.005[0.13] 4 PLC ± ANGLES ±		APVD F.BLASICK 13AUG2018	NAME 18 POSITION NanoRF MODULE P.C.B. MOUNT BACKPLANE VITA 67.3C FOOTPRINT COMPATIBLE
MATERIAL		PRODUCT SPEC 108-163006	SIZE A100779C=2341106
FINISH		APPLICATION SPEC 408-163016	RESTRICTED TO
CUSTOMER DRAWING		WEIGHT	SCALE 8:1 SHEET 2 OF 2 REV A

单击下面可查看定价，库存，交付和生命周期等信息

[>>TE Connectivity\(泰科\)](#)