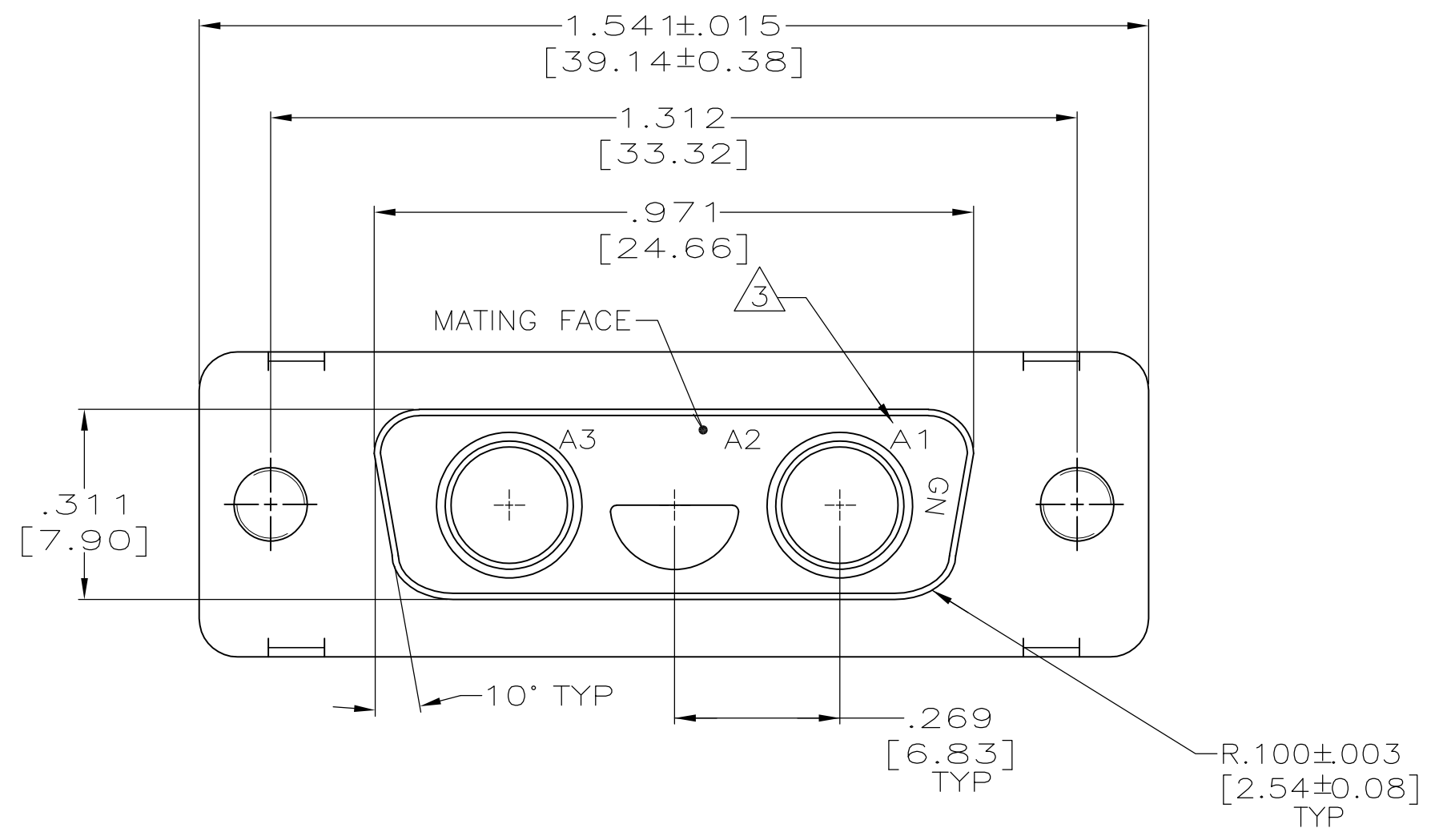
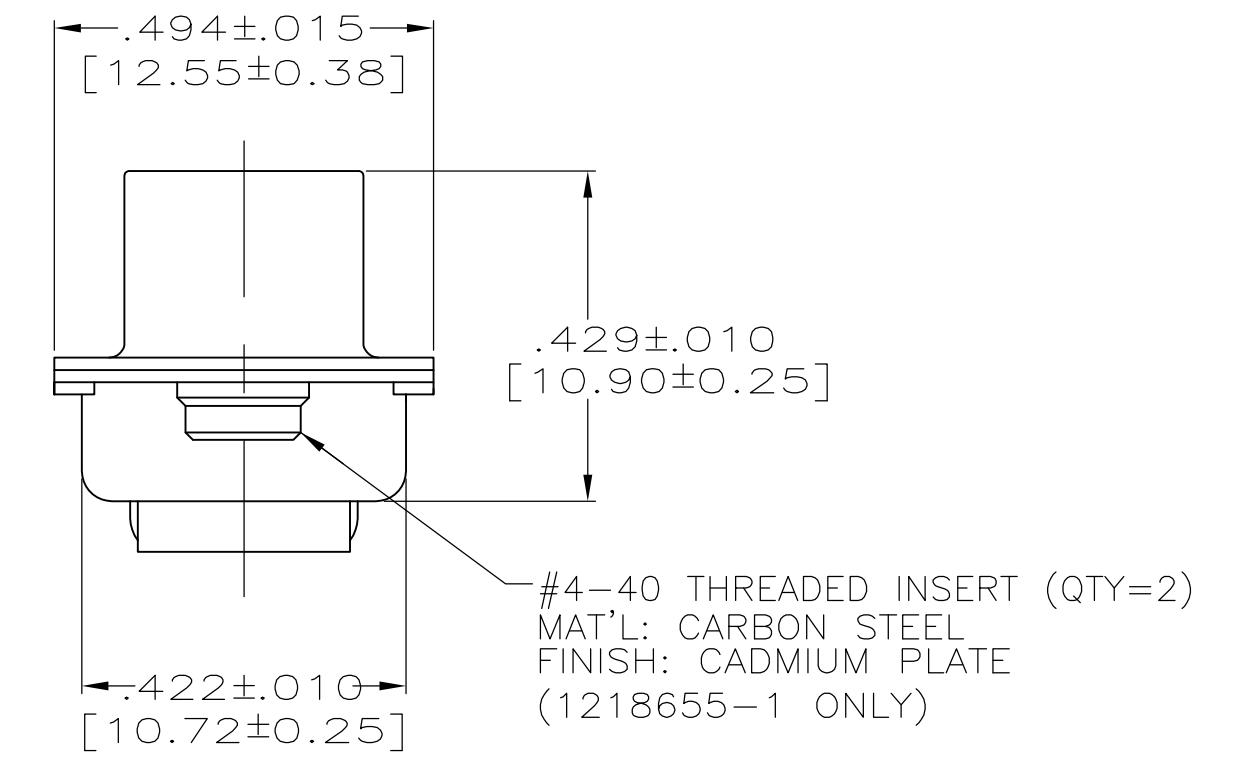
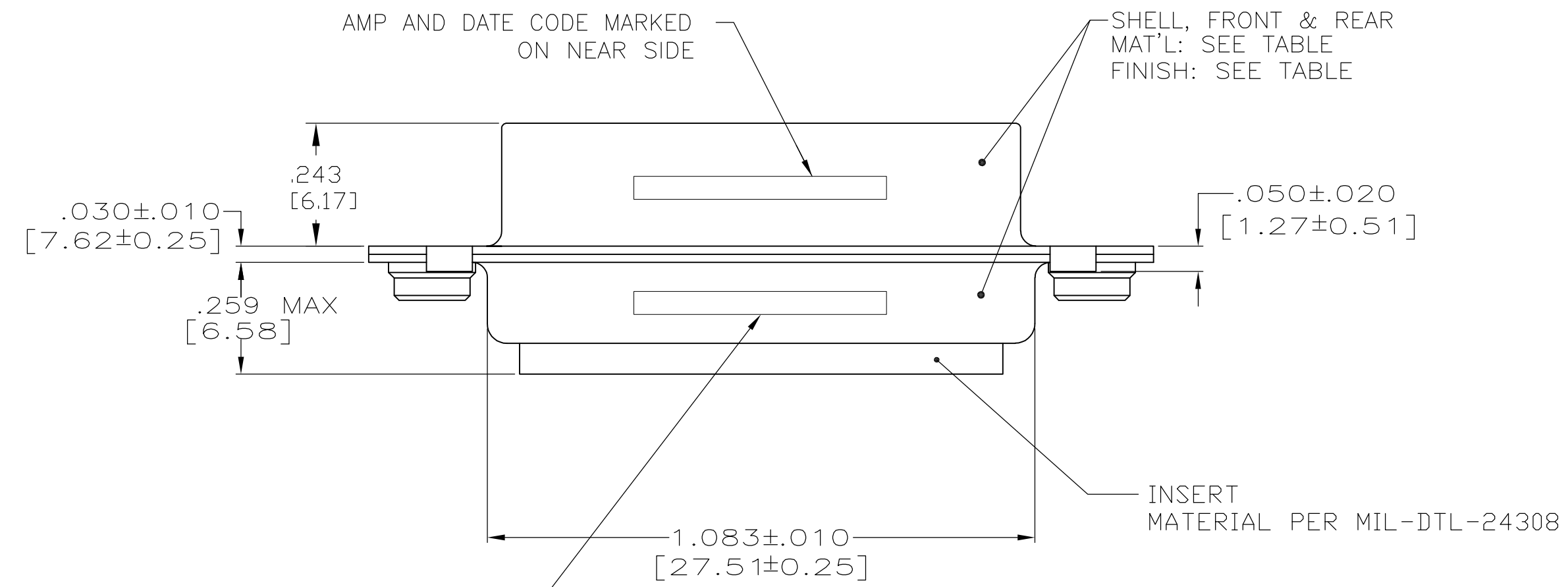


THIS DRAWING IS UNPUBLISHED. RELEASED FOR PUBLICATION
 © COPYRIGHT - By - ALL RIGHTS RESERVED.

LOC		DIST		REVISIONS			
P	LTR	DESCRIPTION	DATE	DWN	APVD		
E		REV PER ECO 15-005929	5-12-15	CT	DM		



1. THIS RECEPTACLE WILL ONLY MATE WITH AMP PART NO. 1218654-2.
 2. THIS CONNECTOR ACCEPTS 2 POWER 8 OR COAX SOCKET CONTACTS IN POSITIONS A1 & A3. PURCHASED SEPARATELY.
- ⚠️ RAISED NUMBERS FOR IDENTIFICATION OF CIRCUIT HOLES.



B010942-0050	GOLD PER ASTM-B-488 OVER COPPER FLASH PER MIL-C-14550	BRASS PER ASTM B 36	1218655-3
OBSOLETE	TIN PER ASTM B545	STEEL PER ASTM A109	1218655-1
CUSTOMER PART NO.	FINISH	MATERIAL	PART NO.

THIS DRAWING IS A CONTROLLED DOCUMENT.		DWN	2-3-00	 TE Connectivity
DIMENSIONS: INCHES		CHK	2-3-00	
TOLERANCES UNLESS OTHERWISE SPECIFIED:		APVD	2-3-00	
0 PLC ± - 1 PLC ± - 2 PLC ± - 3 PLC ± .005 [0.13] 4 PLC ± - ANGLES ± 0° 30'		PRODUCT SPEC		
MATERIAL SEE CALLOUTS		FINISH	SEE CALLOUTS	NAME
		WEIGHT	-	RCPT. ASSEMBLY, COAX 2C2 KEYED SERIES 109, SIZE 2, AMPLIMITE
		RESTRICTED CUSTOMER		SIZE
				CAGE CODE
				DRAWING NO
				RESTRICTED TO
				A2 00779 C=1218655
				SCALE 4:1 SHEET 1 of 1 REV E

单击下面可查看定价，库存，交付和生命周期等信息

[>>TE Connectivity\(泰科\)](#)