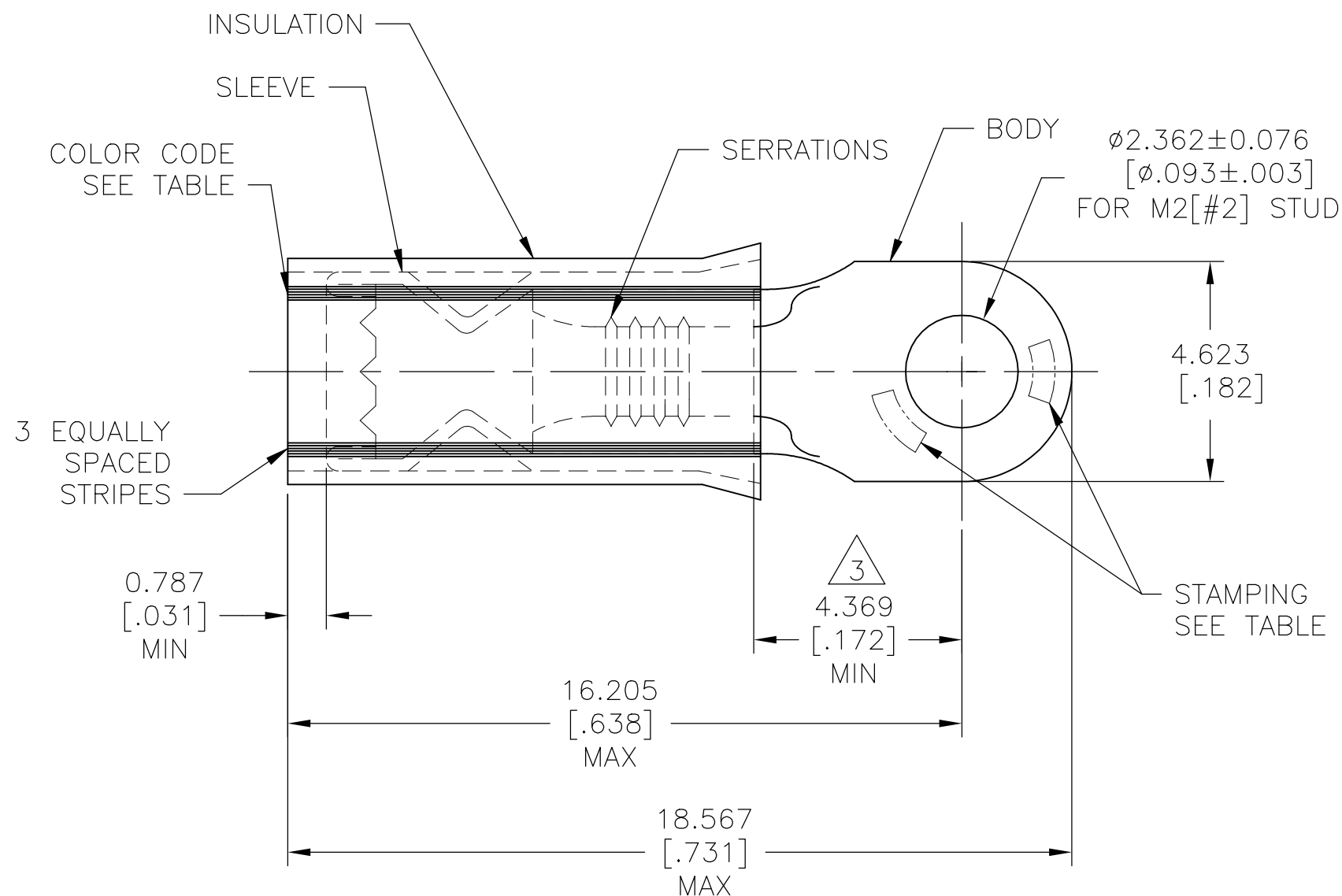


REVISIONS					
P	LTR	DESCRIPTION	DATE	DWN	APVD
	D	REVISED PER ECO-14-015277	14FEB2015	NK	DR
	D1	REVISED PER ECO-17-008114	31MAY2018	RS	DR



- 1 BODY MATERIAL THK IS  $0.787 \pm 0.051 [ .031 \pm .002 ]$
- 2 FOR WIRE INS. DIA SEE TABLE
- 3 APPLIES FROM EDGE OF METAL WIRE BARREL TO CENTER OF STUD HOLE
- 4 MATERIAL:  
 BODY & SLEEVE: COPPER PER ASTM PER B152  
 INSULATION: NYLON PER ASTM D4066 TYPE 1
- 5 FINISH:  
 BODY & SLEEVE: TIN PLATE PER ASTM B545  
 INSULATION: COLOR - RED

GREEN	0.965-2.794 [.038-.110]	22*	22	1000	LOOSE PIECE	52307
COLOR CODE	INS. DIA.	WIRE STAMPING	WIRE SIZE	QTY	PACKAGE TYPE	PART NO

AMP INCORPORATED  
 CUSTOMER SERVICE SYSTEMS

THIS DRAWING IS A CONTROLLED DOCUMENT.

DWN jr\_ruth 21FEB07

CHK T MICHELUTTI 21FEB07

APVD T MICHELUTTI 21FEB07

PRODUCT SPEC

APPLICATION SPEC

114-2157

WEIGHT

CUSTOMER DRAWING



NAME  
 WIRE TERMINAL, P.I.D.G.,  
 RING TONGUE & INSULATION RESTRICTION  
 WIRE SIZE 22 & 20 AWG

SIZE	CAGE CODE	DRAWING NO	RESTRICTED TO
A3	00779	C-52307	-

FOR ADDITIONAL PRODUCT INFORMATION OR COPIES OF DRAWINGS AND TECHNICAL DOCUMENTS	PRODUCT INFORMATION CENTER 1-800-522-6752	MAX RECOMMENDED OPERATING TEMPERATURE: 105°C [221°F]
FOR APPLICATION TOOLING INFORMATION	TOOLING ASSISTANCE CENTER 1-800-722-1111	VOLTAGE RATING: 300 V MAX
FOR ORDER ENTRY	1-800-526-5142	WIRE CROSS SECTIONAL AREA RANGE, 0.38mm <sup>2</sup> [754] CIR MILS STRANDED

DIMENSIONS: mm [INCHES]	TOLERANCES UNLESS OTHERWISE SPECIFIED:
	0 PLC ± -
	1 PLC ± -
	2 PLC ± -
	3 PLC ± 0.127[.005]
	4 PLC ± -
	ANGLES ± 5°
MATERIAL	FINISH
4	5

单击下面可查看定价，库存，交付和生命周期等信息

[>>TE Connectivity\(泰科\)](#)