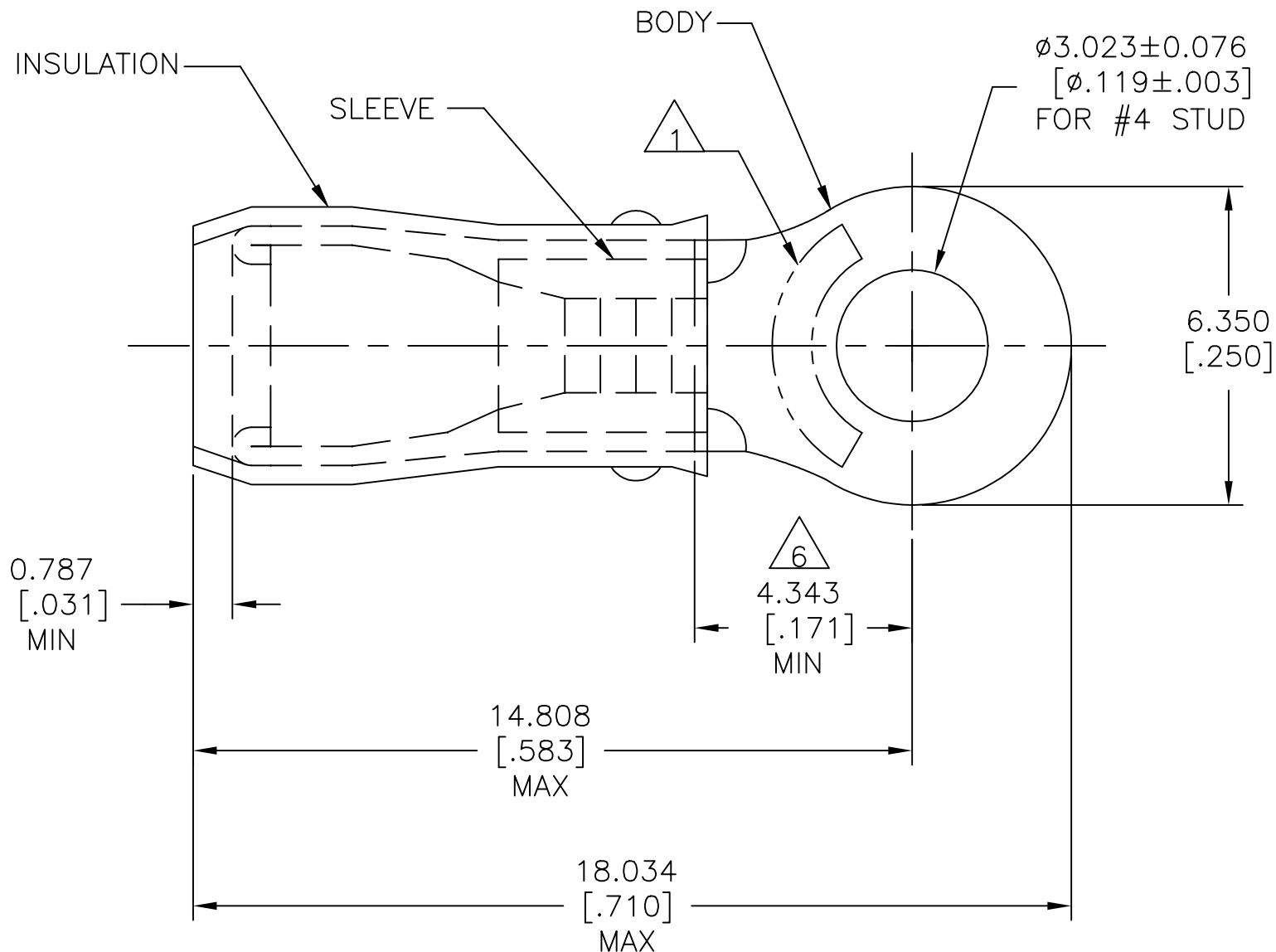


P	LTR	DESCRIPTION	DATE	DWN	APVD
	F	REV PER ECR 09-025674	01DEC09	JR	TM
	G	REVISED PER ECO-17-013200	07MAY2018	RS	DR



- 1 STAMP AMP 14-12 APPROX AS SHOWN
- 2 WIRE INSULATION DIA:
ø2.032-ø3.175[ø.080-ø.125]
- 3 BODY MATERIAL THK: 0.762±0.051[.030±.002]
- 4 BODY & SLEEVE - TIN PLATE PER ASTM B545
INSULATION: COLOR - WHITE
- 5 BODY & SLEEVE - CU PER ASTM B152
INSULATION: NYLON
- 6 APPLIES FROM EDGE OF METAL WIRE BARREL
TO CENTER OF STUD HOLE

500	LOOSE PIECE	152876
QTY	PACKAGE TYPE	PART NO

AMP INCORPORATED
CUSTOMER SERVICE SYSTEMS

MAX RECOMMENDED OPERATING TEMPERATURE:
105°C[221°F] MAX

THIS DRAWING IS A CONTROLLED DOCUMENT.

FOR ADDITIONAL PRODUCT INFORMATION OR COPIES OF DRAWINGS AND TECHNICAL DOCUMENTS
PRODUCT INFORMATION CENTER
1-800-522-6752

FOR APPLICATION TOOLING INFORMATION
TOOLING ASSISTANCE CENTER
1-800-722-1111

FOR ORDER ENTRY
1-800-526-5142

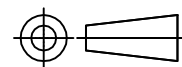
VOLTAGE RATING:
300 V

CIRCULAR MIL AREA:
1.65-3.45mm²[3,260-6,800]
SOLID OR STRANDED

DIMENSIONS:
mm [INCHES]

TOLERANCES UNLESS OTHERWISE SPECIFIED:

0 PLC	± -
1 PLC	± -
2 PLC	± -
3 PLC	± 0.127[.005]
4 PLC	± -
ANGLES	± -



MATERIAL
5

FINISH
4

DWN	JR RUTH	19FEB07
CHK	T MICHIELUTTI	19FEB07
APVD	T MICHIELUTTI	19FEB07
PRODUCT SPEC	-	-
APPLICATION SPEC	114-2157	-
WEIGHT	-	-

TE Connectivity Ltd.		NAME		RESTRICTED TO
		TERMINAL, RING TONGUE, NYLON , P.I.D.G. WIRE SIZE: 14-12 AWG		
SIZE	CAGE CODE	DRAWING NO	-	
A3	00779	C=152876	-	
CUSTOMER DRAWING		SCALE	SHEET	REV
		8:1	1 OF 1	G

THIS DRAWING IS A CONTROLLED DOCUMENT FOR AMP INCORPORATED. IT IS SUBJECT TO CHANGE AND THE CONTROLLING ENGINEERING ORGANIZATION SHOULD BE CONTACTED FOR THE LATEST REVISION.

单击下面可查看定价，库存，交付和生命周期等信息

[>>TE Connectivity\(泰科\)](#)