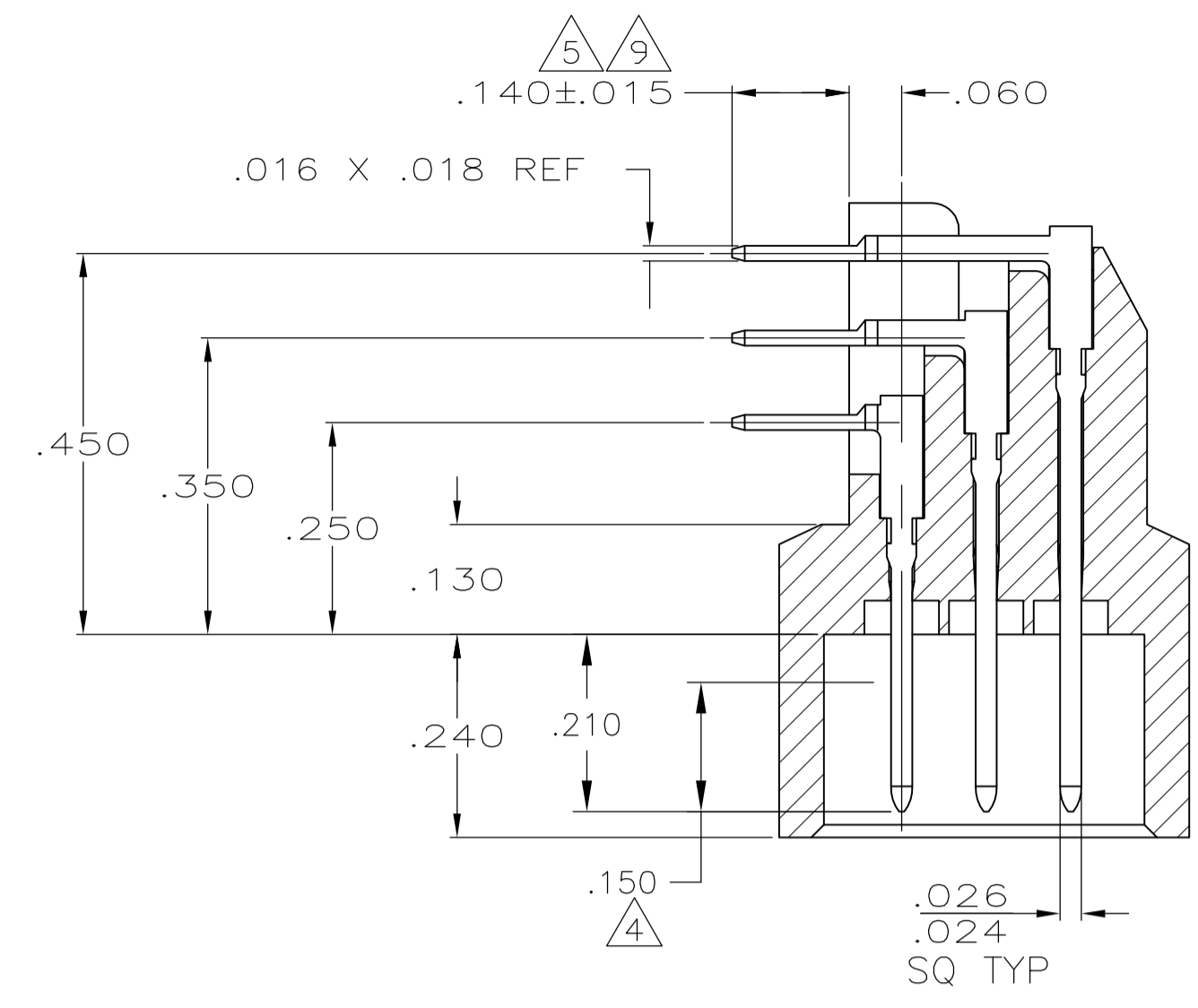
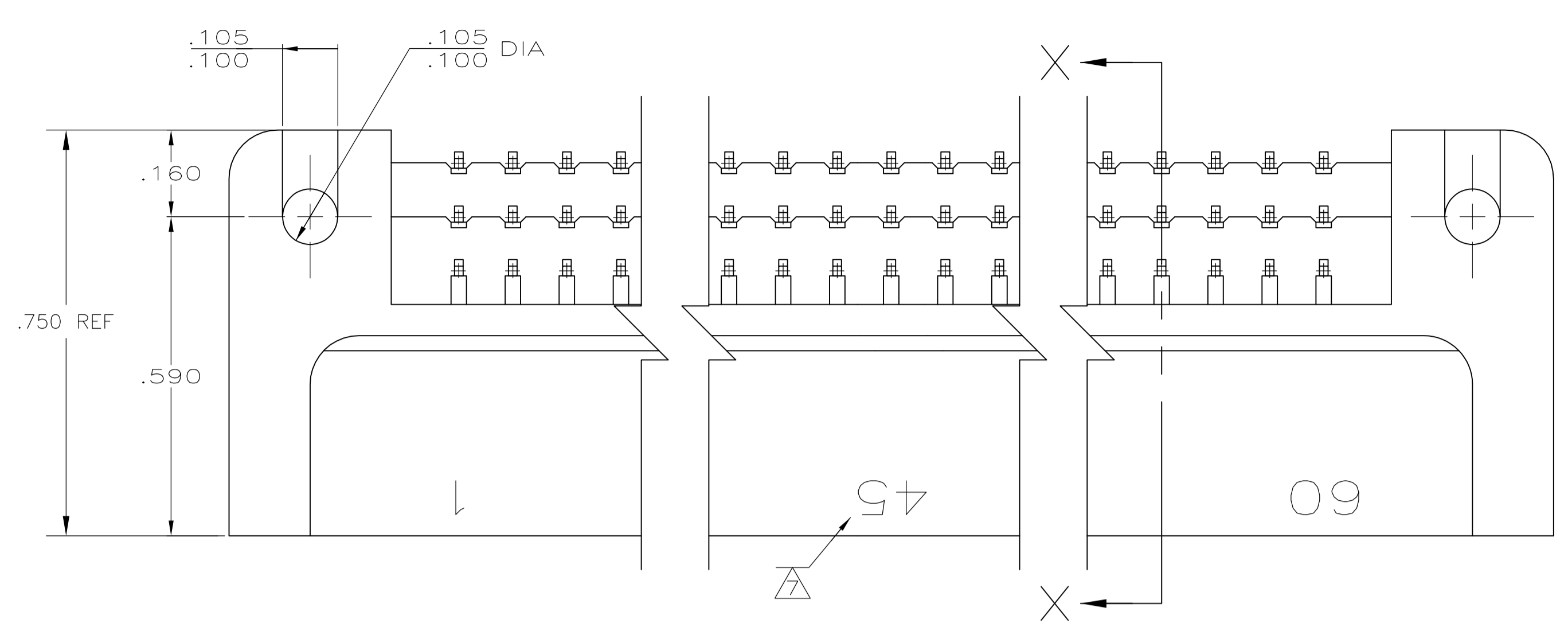
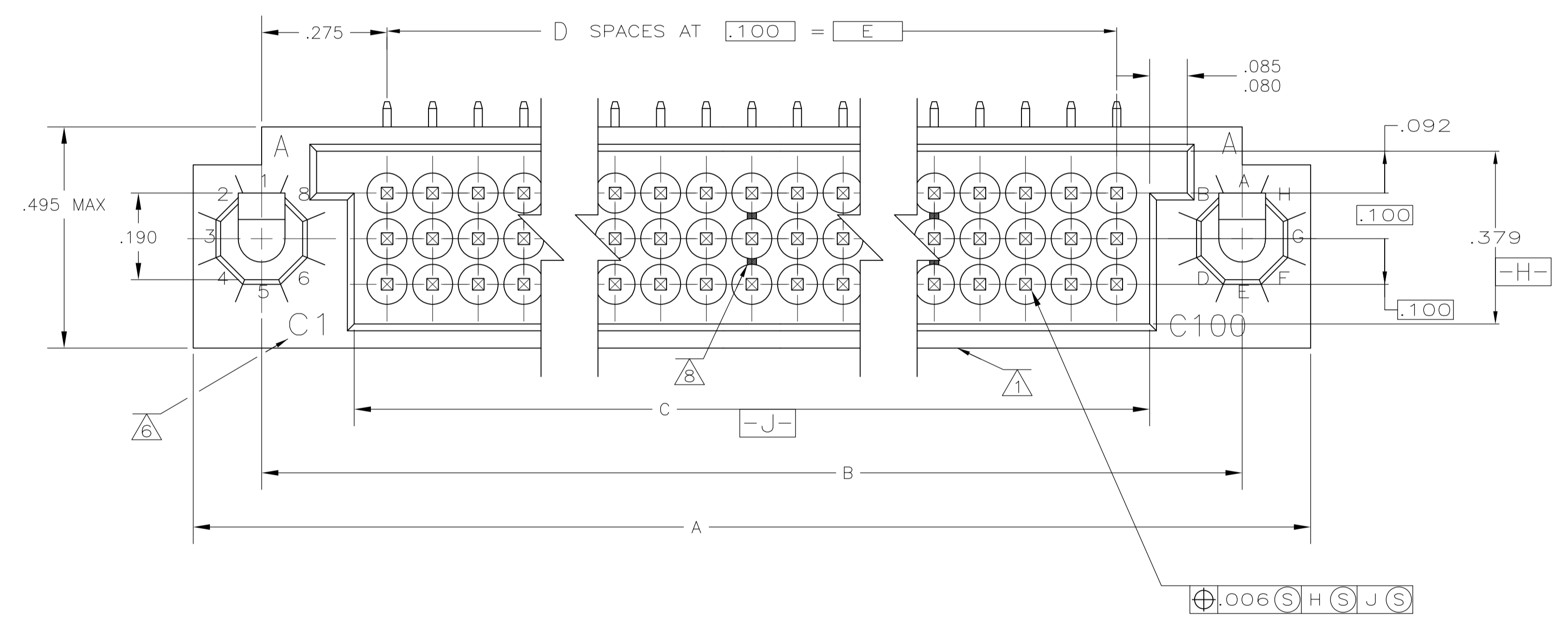


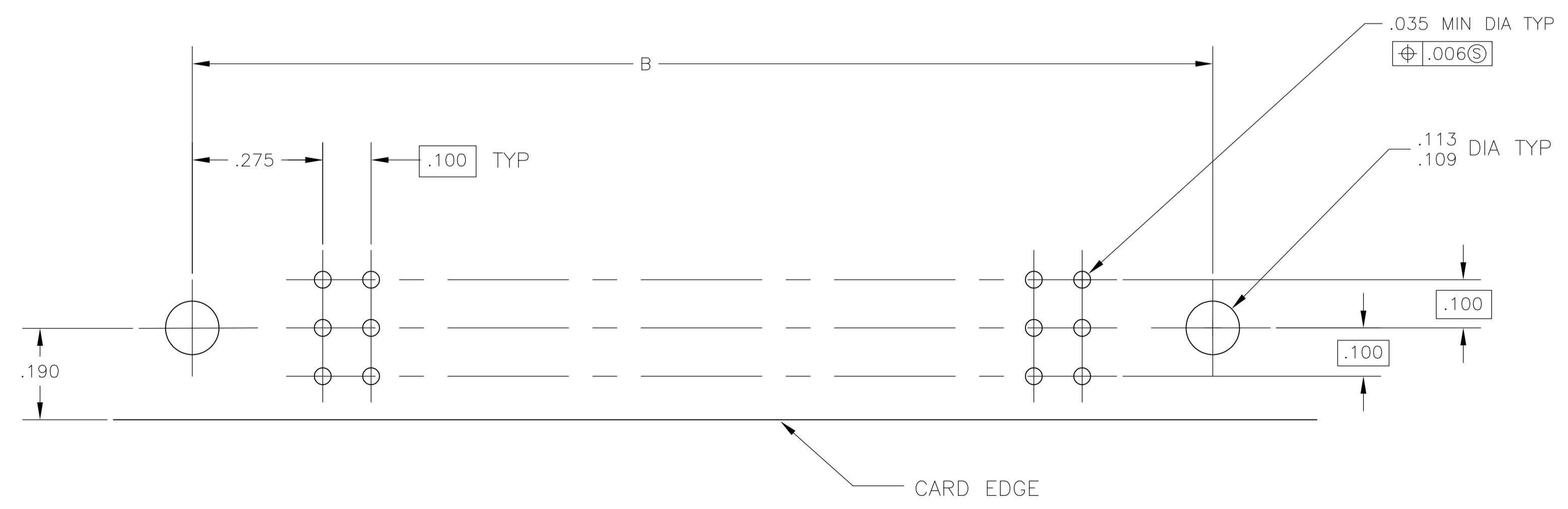
REVISIONS					
REV	DATE	DESCRIPTION	BY	CHKD	APPROV
H	8-22-17	REV PER ECO 17-011655	CT	RL	



SECTION X-X



- 1 AMP, DATE CODE, & PART NO. MARKED THIS AREA.
- 2 HOUSING MATERIAL: POLYPHENYLENE SULFIDE, GST-40F, PER MIL-M-24519.
- 3 CONTACT MATERIAL: BRASS
- 4 FINISH: .000030 GOLD OVER .000050 NICKEL IN CONTACT AREA.
- 5 FINISH: .000100 TIN LEAD OVER .000050 NICKEL.
- 6 LETTERS INDICATING OUTSIDE ROWS AND NUMBERS INDICATING END CAVITIES MARKED THIS SURFACE.
- 7 NUMBERS INDICATING EVERY FIVE CAVITIES MARKED ON BOTH SIDES.
- 8 LINES INDICATING EVERY FIVE CAVITIES MARKED ON MATING FACE.
- 9 FINISH: .000100 TIN OVER .000050 NICKEL.



PC BOARD LAYOUT

REV	DATE	DESCRIPTION	BY	CHKD	APPROV			
9	4.900	49	5.044	5.450	5.750	150	5-531137-4	
8	3.400	34	3.544	3.950	4.250	105	5-531137-2	
7	2.900	29	3.044	3.450	3.750	90	5-531137-1	
6	OBSOLETE	9.900	99	10.044	10.450	10.750	300	1-531137-5
5	OBSOLETE	8.900	89	9.044	9.450	9.750	270	1-531137-4
4	OBSOLETE	6.400	64	6.544	6.950	7.250	195	1-531137-3
3	OBSOLETE	4.400	44	4.544	4.950	5.250	135	1-531137-2
2	OBSOLETE	3.200	32	3.344	3.750	4.050	99	1-531137-1
1	OBSOLETE	4.100	41	4.244	4.650	4.950	126	1-531137-0
0	OBSOLETE	4.000	40	4.144	4.550	4.850	123	531137-9
9	7.900	79	8.044	8.450	8.750	240	531137-8	
8	6.900	69	7.044	7.450	7.750	210	531137-7	
7	OBSOLETE	5.900	59	6.044	6.450	6.750	180	531137-6
6	5.400	54	5.544	5.950	6.250	165	531137-5	
5	4.900	49	5.044	5.450	5.750	150	531137-4	
4	3.900	39	4.044	4.450	4.750	120	531137-3	
3	3.400	34	3.544	3.950	4.250	105	531137-2	
2	2.900	29	3.044	3.450	3.750	90	531137-1	

THIS DRAWING IS A CONTROLLED DOCUMENT.

DIMENSIONS: INCHES

TOLERANCES UNLESS OTHERWISE SPECIFIED:

0 PL	± .005
1 PL	± .004
2 PL	± .003
3 PL	± .002
4 PL	± .001
ANGLES	± .010

MATERIAL: Δ 2 Δ 3 Δ 4 Δ 5 Δ 9

FINISH: Δ 4 Δ 5 Δ 9

THIS DRAWING IS A CONTROLLED DOCUMENT.

DIN W. D. KISELA 4-6-93

CHK D. MILLER 5-10-93

APPROV D. MILLER 5-10-93

NAME: PIN HEADER ASSY, RIGHT ANGLE, 3-ROW, .100

PRODUCT SPEC: APPLICATION SPEC

SIZE: A1

WEIGHT: 0.000000

CAGE CODE: 00779

DRAWING NO: 531137

RESTRICTED TO: CUSTOMER DRAWING

SCALE: 5:1

SHEET: 1 OF 1

REV: H

单击下面可查看定价，库存，交付和生命周期等信息

[>>TE Connectivity\(泰科\)](#)