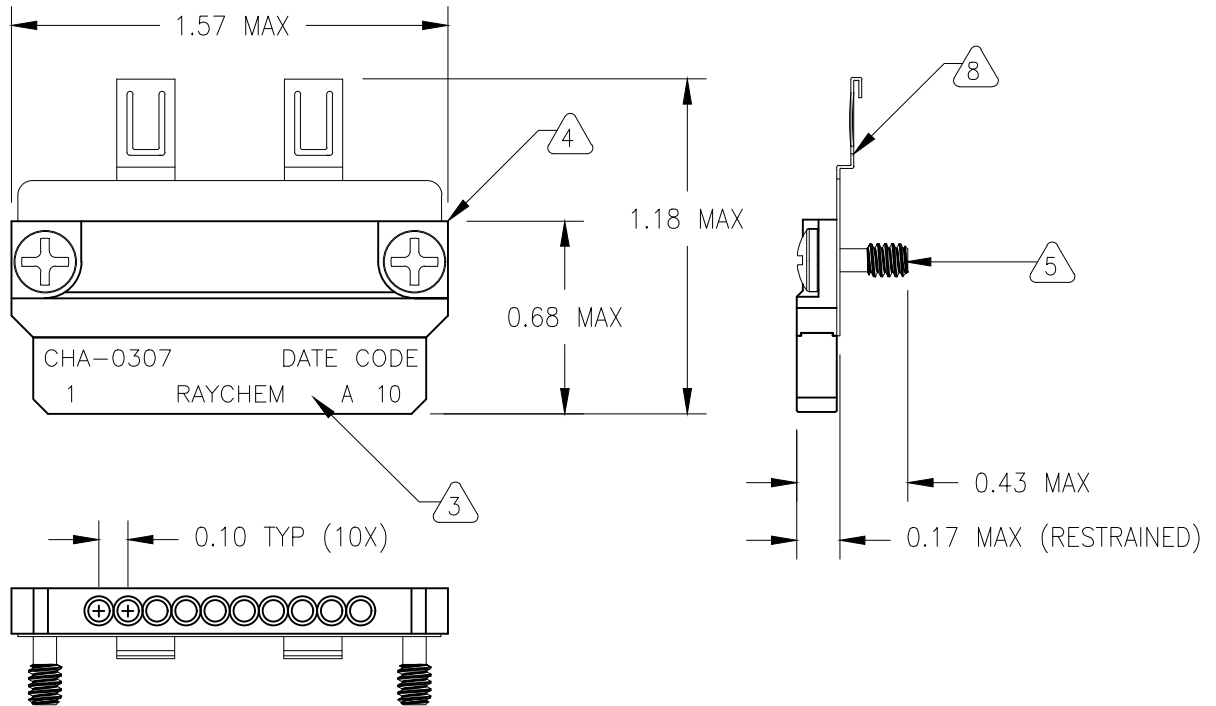


		REVISION	
REV	DESCRIPTION		DATE
G	REVISED PER ECO-18-008206		29MAY2018



Notes:

1. Application: Electroless Nickel MTC SH1 Plug Shells
2. For Use With MIL-C 39029/58-360, Size 22 Contacts
3. End Cap: Glass Filled Nylon, Flame Retardant, Black
4. Main Body: Aluminum, Electroless Nickel Plated
5. Screws: 4-40 Phillips Head, Stainless Steel 302, Passivated, Captive, Self-Locking. Alternative material A-286
6. Electrical Contacts: Brass / Beryllium Copper, Gold Plated
7. Markings: High Contrast Ink
8. Bus Bar, Beryllium Copper, Electroless Nickel Plated
9. Meets Raychem Specification C-6114 Requirements
10. Contact Cavity Bore Dia, Plated: .0685/0690 (REF)

© 2004 TYCO ELECTRONICS CORPORATION. ALL RIGHTS RESERVED.

SPECIFICATION CONTROL DRAWING

UNLESS OTHERWISE SPECIFIED DIMENSIONS ARE INCHES. METRIC DIMENSIONS ARE IN BRACKETS.	DRAWN	DATE	tyco Electronics	TYCO ELECTRONICS 300 CONSTITUTION DRIVE MENLO PARK, CA 94025	Raychem
	T RATZLAFF	26MAR2004			
DECIMAL TOLERANCES .XXX ± 0.005 [0.13 mm] .XX ± 0.010 [0.25 mm] .X ± 0.020 [0.50 mm]	MATERIAL	SEE NOTES			
	FINISH	SEE NOTES			
ANGLE TOLERANCE .X ± 0.5 DEG.	TITLE 1-INCH MTC GROUNDING BLOCK WITH FINGERS				
WEIGHT (NOM) LBS. 0.0137 [6.2 gm]					
CAD FILE C041089.DWG	THIRD ANGLE PROJECTION	SIZE A	CAGE CODE 06090	DWG. NO. CHA-0307	
Downloaded From Oneyac.com			DO NOT SCALE THIS DRAWING		SHEET 1 OF 1

单击下面可查看定价，库存，交付和生命周期等信息

[>>TE Connectivity\(泰科\)](#)