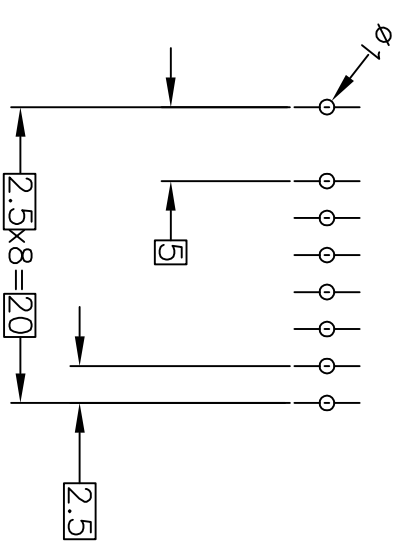
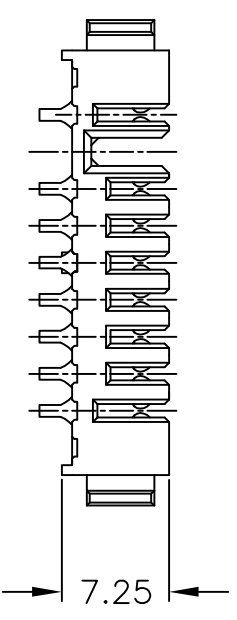
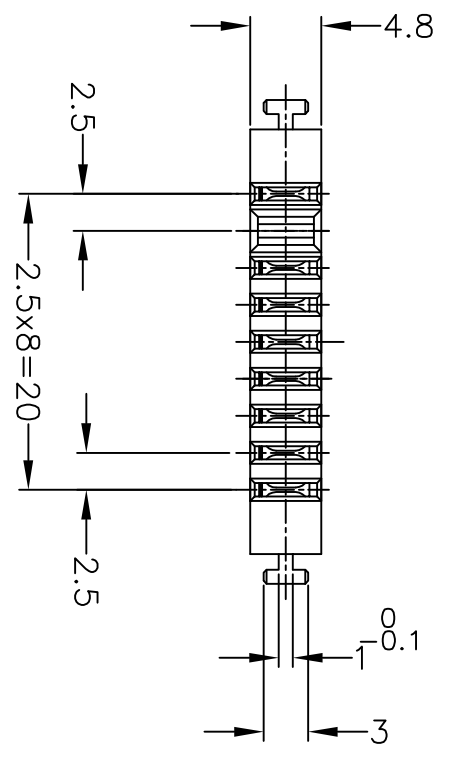
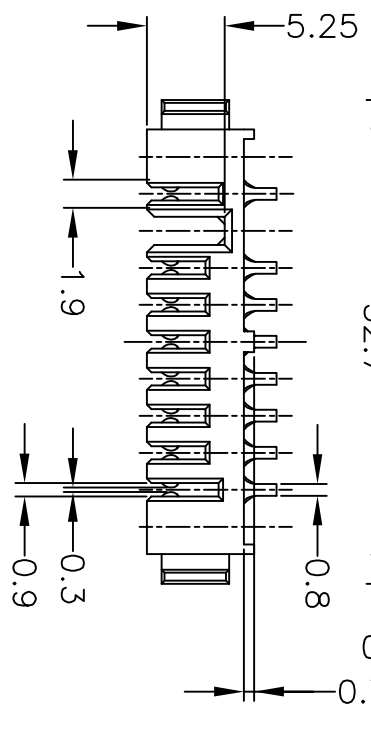
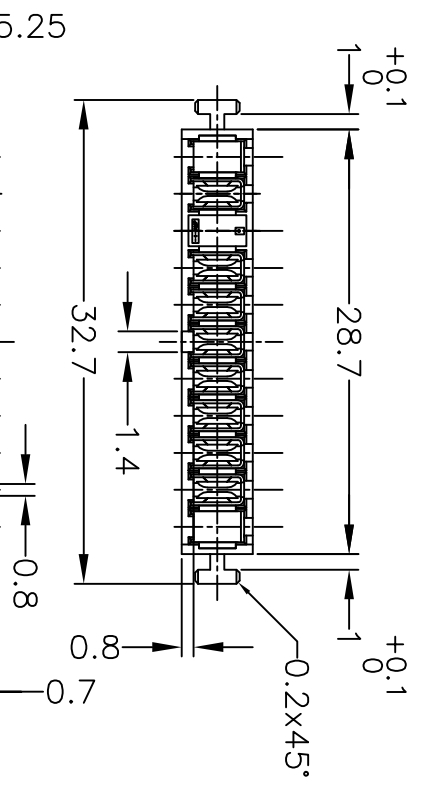


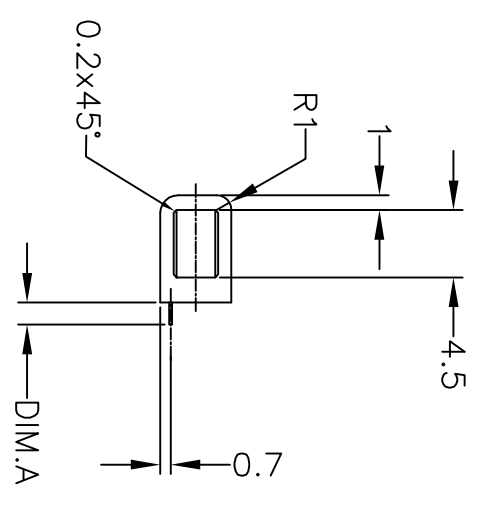
THIS DRAWING IS UNPUBLISHED.
 RELEASED FOR PUBLICATION 2002.
 © COPYRIGHT 2002 BY TYCO ELECTRONICS CORPORATION. ALL RIGHTS RESERVED.

LOC	DIST	REVISONS	
ES	00	P	LTR
		B	REVISED
		DESCRIPTION	
		DATE	DWN
		100CT07	L.L
			S.Y

1717478-1: AS SHOWN



基板取付参考寸法
 REFERENCE P.C. BOARD LAYOUT
 P.C. BOARD THK 0.8~1.2
 (VIEW FROM CONNECTOR MOUNTING SIDE)



- △ 材料
 - ・ハウジング: 熱可塑性樹脂、UL94V-0、黒
 - ・コンタクト: 銅合金
 - ・仕上げ
 - ・コンタクト: ニッケル下地めっき
 - ・接触部: 金めっき
 - ・半田付け部: 錫めっき

- △ MATERIAL
 - ・ HOUSING: THERMOPLASTIC RESIN, UL94V-0, BLACK
 - ・ CONTACT: COPPER ALLOY
- △ FINISH
 - ・ CONTACT: Ni ALL OVER UNDER PL.
 - ・ GOLD PL. AT CONTACT AREA
 - ・ TIN PL. AT LEAD AREA

WIRE RANGE 包含電線断面積	
INSULATION DIA 被覆外径	
2.0 MAX.	1717478-2
15 MAX.	1717478-1
DIM.A	PART NUMBER

THIS DRAWING IS A CONTROLLED DOCUMENT.

DIMENSIONS:
 単位: 耗
 mm

TOLERANCES UNLESS OTHERWISE SPECIFIED: 一般公差	
0 PLC	± 0.3
1 PLC	± 0.3
2 PLC	± 0.3
3 PLC	± 0.3
4 PLC	± 0.3
ANGLES	± 3
FINISH 仕上	

APVD		300CT03	
CHK		300CT03	
DWN		290CT03	
T.KATANO			
T.KIMURA			
APVD		300CT03	
K.IKEGAMI			
PRODUCT SPEC			
製品規格			
APPLICATION SPEC			
取付適用規格			
WEIGHT			
RESTRICTED CUSTOMER			
NAME	Tyco Electronics Corporation		
名称	Shanghai, P. R. China, 200233		
SIZE	CAGE CODE	DRAWING NO	RESTRICTED TO
A3	00779	1717478	

单击下面可查看定价，库存，交付和生命周期等信息

[>>TE Connectivity\(泰科\)](#)