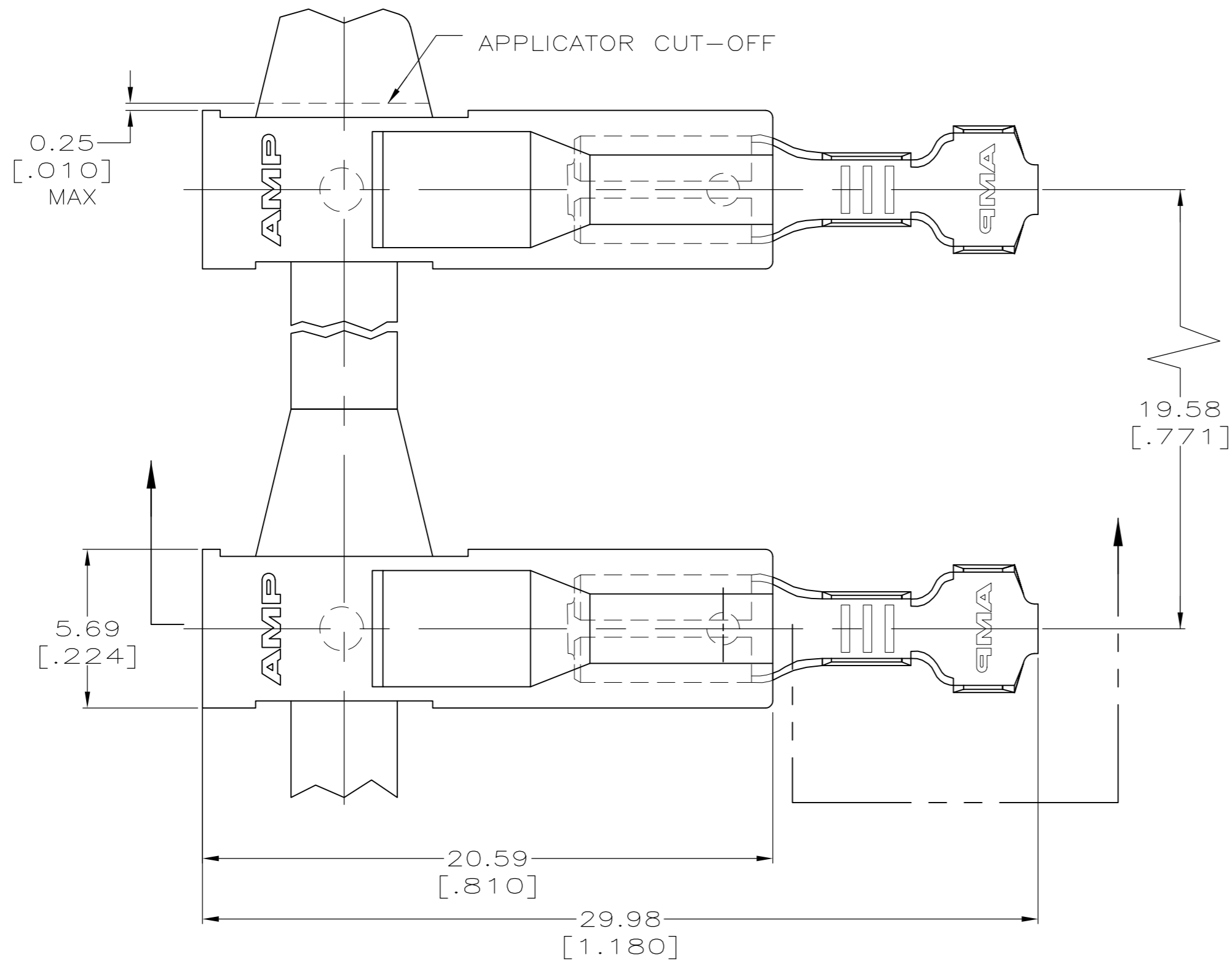
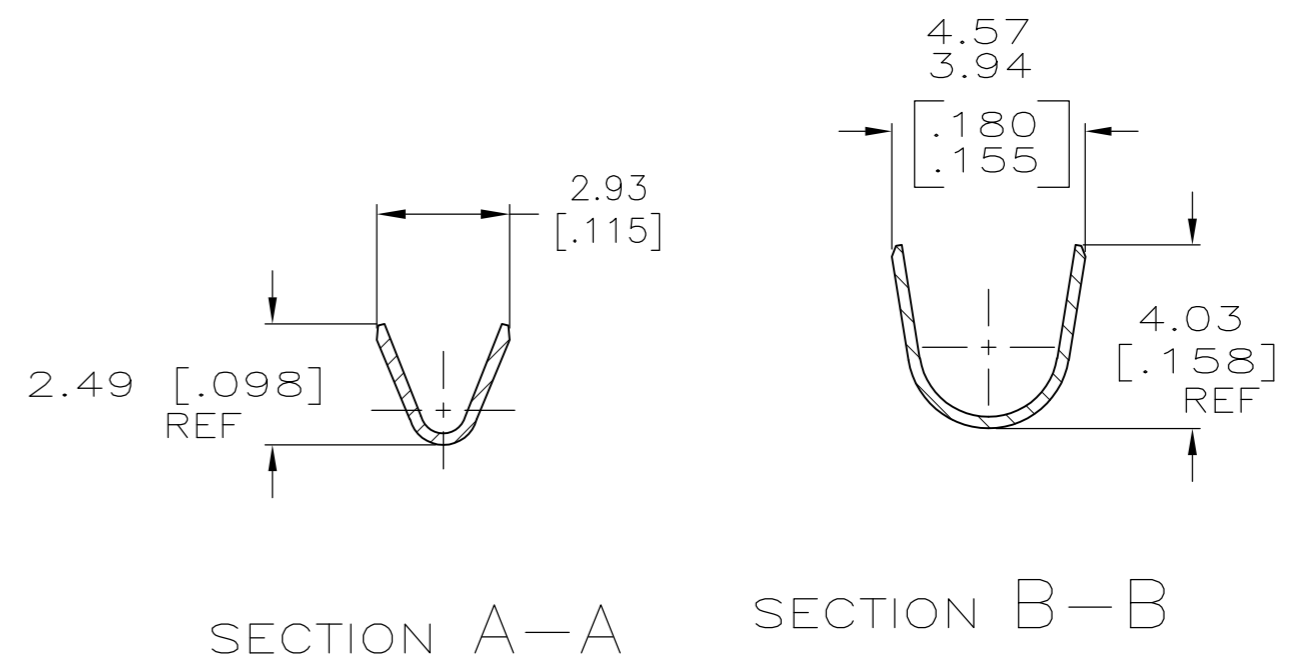
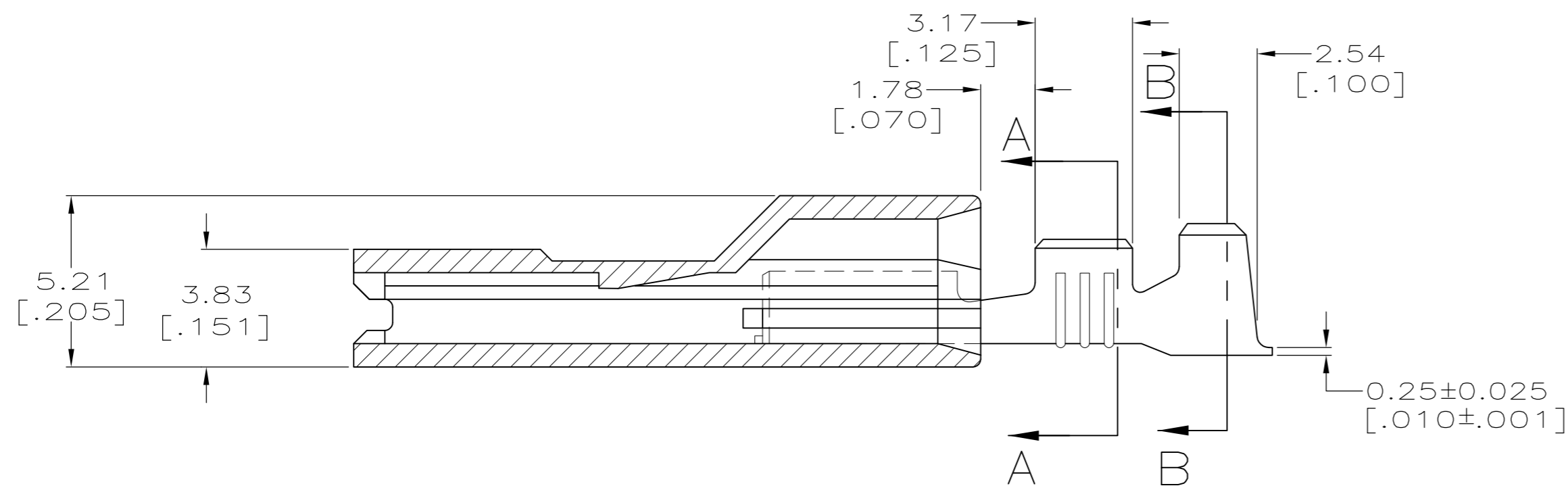


THIS DRAWING IS UNPUBLISHED. RELEASED FOR PUBLICATION
 © COPYRIGHT - By - ALL RIGHTS RESERVED.

| LOC | | DIST | | REVISIONS | | | |
|-----|-----|-------------|--|---------------------------|-----------|-------|--|
| P | LTR | DESCRIPTION | | DATE | DWN | APVD | |
| AF | 50 | G | | REVISED PER ECR-16-004507 | 04APR2016 | BW MD | |



- 1 MATING TAB THK IS 0.51±0.025[.020±.001]
- 2 WIRE SIZE IS [#22-#18] AWG.
- 3 INSULATION RANGE IS 2.03-3.05[.080-.120] DIA.
- △4 MATERIAL - TERMINAL - BRASS
HOUSING - 6/6 NYLON
- △5 FINISH - TERMINAL - SEE TABLE
HOUSING - WHITE
- △6 PREPRODUCTION - FASR REQ



| | | | | | | | | |
|----------------------------------------|--|------------------|----------|------------------|----------------------------|--------------------------------------------------------|-----------------|------------|
| THIS DRAWING IS A CONTROLLED DOCUMENT. | | DWN | JR RUTH | 16MAY01 | 0.001016 [.000040] MIN TIN | | △6 521408-2 | |
| DIMENSIONS: mm [INCHES] | | CHK | MS FEHER | 16MAY01 | TERMINAL FINISH | | △5 PART NO. | |
| TOLERANCES UNLESS OTHERWISE SPECIFIED: | | APVD | J HUMMEL | 16MAY01 | NAME | | TE Connectivity | |
| 0 PLC ± - | | PRODUCT SPEC | | 108-1285 | | ASSEMBLY, RECEPTACLE, ULTRA-POD, 2.79 [.110] SERIES | | |
| 1 PLC ± - | | APPLICATION SPEC | | 114-2124 | | SIZE | CAGE CODE | DRAWING NO |
| 2 PLC ± 0.25 [.010] | | MATERIAL | | WEIGHT | | A2 | 00779 | 521408 |
| 3 PLC ± - | | FINISH | | CUSTOMER DRAWING | | SCALE | | SHEET |
| 4 PLC ± - | | △4 | | △5 | | 5:1 | | 1 of 1 |
| ANGLES ± - | | | | | | | | REV |
| | | | | | | | | G |

单击下面可查看定价，库存，交付和生命周期等信息

[>>TE Connectivity\(泰科\)](#)