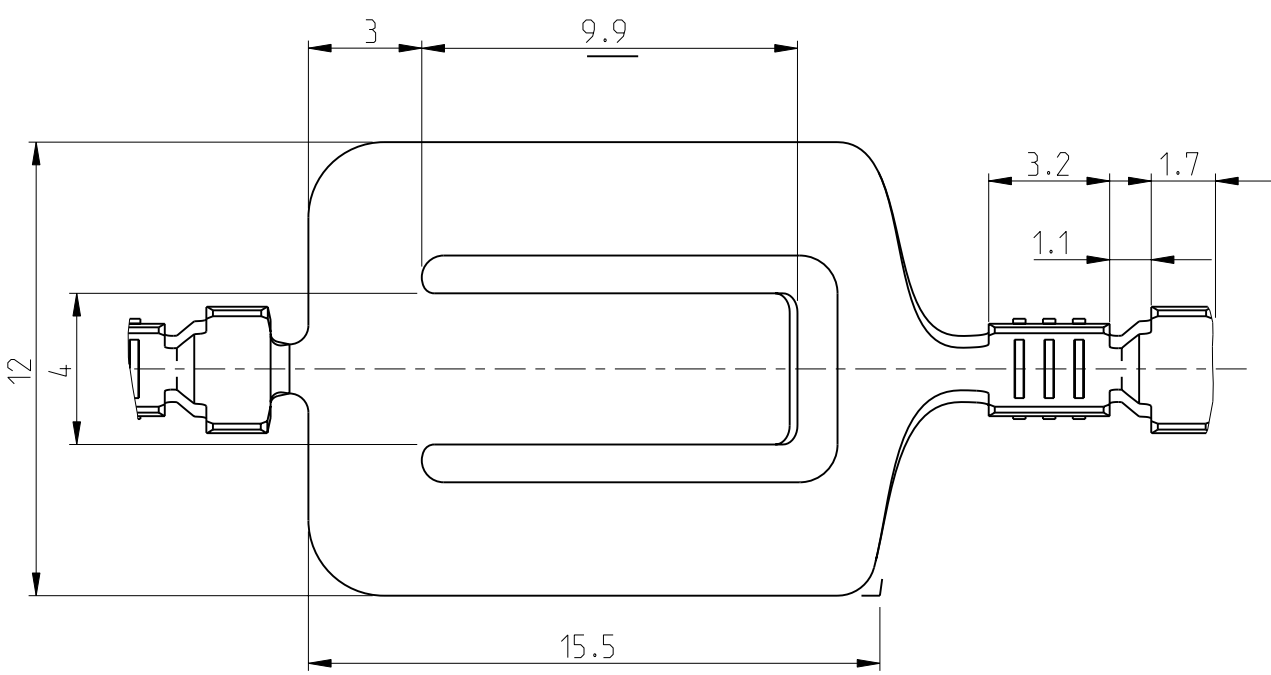
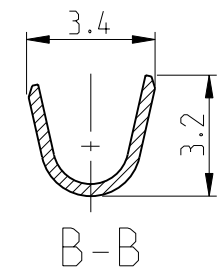
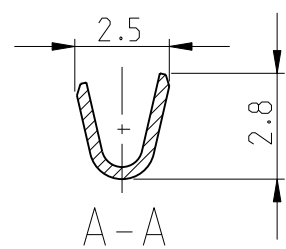
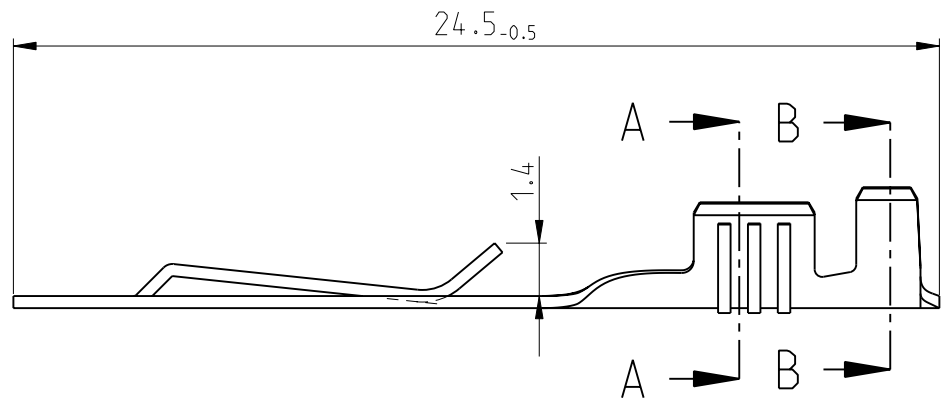


THIS DRAWING IS UNPUBLISHED. RELEASED FOR PUBLICATION 2008
 © COPYRIGHT 2008 BY TYCO ELECTRONICS CORPORATION. ALL RIGHTS RESERVED.

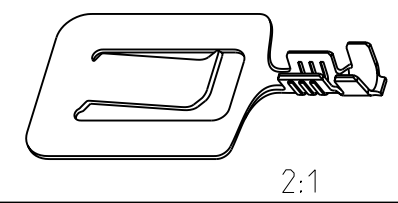
LOC	DIST	REVISIONS				
P	LTR	DESCRIPTION	DATE	DWN	APVD	
A1	-	K1	DRAWN TO Pro/E	115DEC2008	SRE	SZA
		K2	24+0.5 changed to 24,5-0.5	11FEB2009	KVUR	SZA



NOTES:

1. WIRE CRIMP: 0.5 - 1.0 mm²
2. ISOLATION: Ø1.4 - Ø2.1 mm (BRAIDS WITH REDUCED ISOLATION Z.B FL-X)
3. STOCK THK: 0.32

PRE TINNED	MATERIAL	PART NO
PRE TINNED	CuSn4	927925-2
PRE TINNED	CuZn30	927925-1



<small>THIS DRAWING IS A CONTROLLED DOCUMENT FOR TYCO ELECTRONICS CORPORATION IT IS SUBJECT TO CHANGE AND THE CONTROLLING ENGINEERING ORGANIZATION SHOULD BE CONTACTED FOR THE LATEST REVISION.</small>		DWN BLUNCK 23DEC1981 CHK KNELL 06JUN1982 APVD - PRODUCT SPEC - APPLICATION SPEC - WEIGHT -	Tyco Electronics Tyco Electronics AMP GmbH 64625 Bensheim (Germany)
DIMENSIONS: mm 	TOLERANCES UNLESS OTHERWISE SPECIFIED: 0 PLC ± - 1 PLC ± - 2 PLC ± 0.2 3 PLC ± 0.2 4 PLC ± - ANGLES ± 1°	NAME: GROUNDING CUP FOR TV Erdungsklemme fuer TV - Bildroehre	
MATERIAL: SEE TABLE	FINISH: SEE TABLE	SIZE: A3 CAGE CODE: 00779 DRAWING NO: 927925	RESTRICTED TO: -
CUSTOMER DRAWING		SCALE: 5:1	SHEET 1 OF 2 REV K2

4

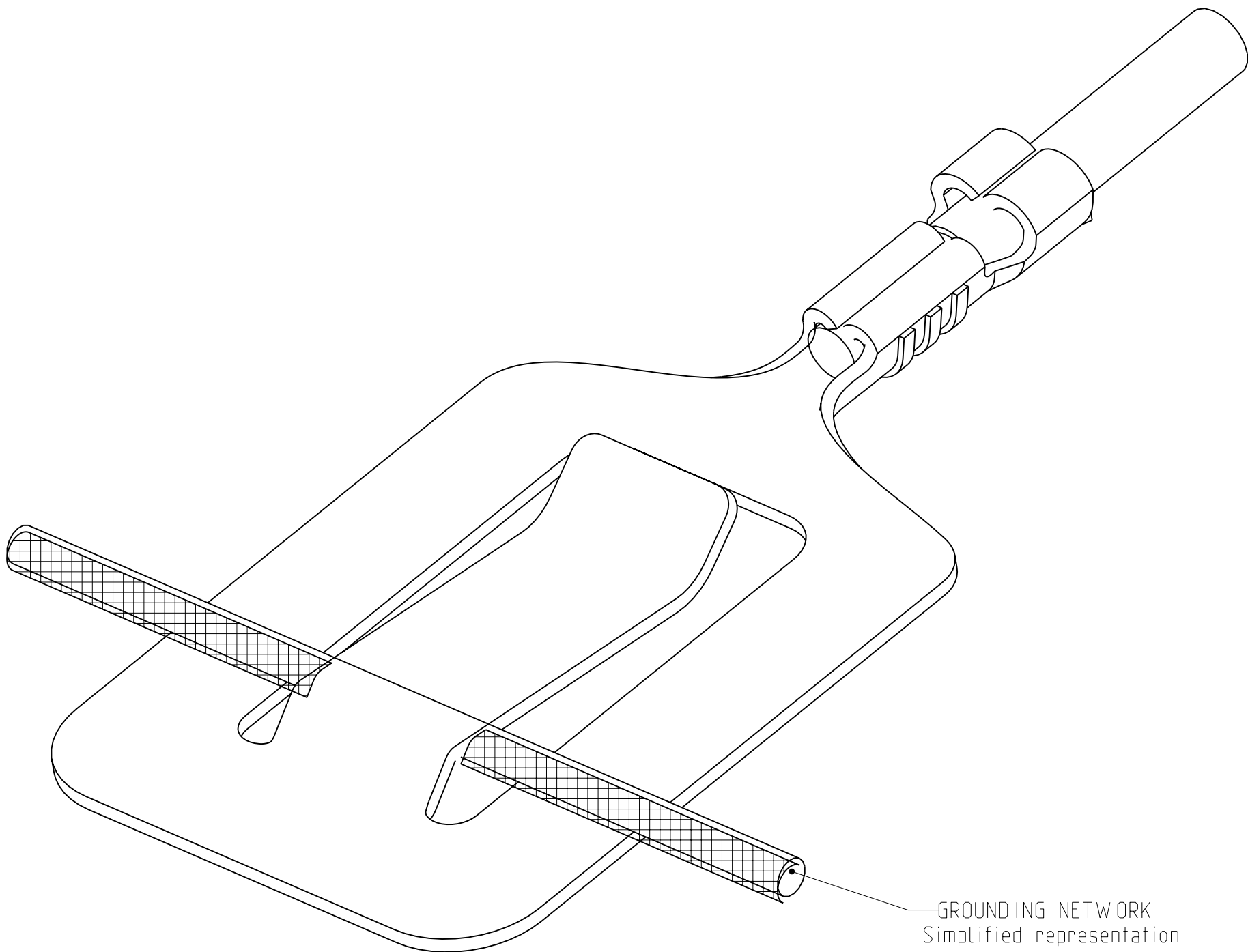
3

2

1

THIS DRAWING IS UNPUBLISHED. RELEASED FOR PUBLICATION 2008
 © COPYRIGHT 2008 BY TYCO ELECTRONICS CORPORATION. ALL RIGHTS RESERVED.

LOC	DIST	REVISIONS			
P	LTR	DESCRIPTION	DATE	DWN	APVD
	-	SEE SHEET 11	-	-	-



GROUNDING NETWORK
Simplified representation

<small>THIS DRAWING IS A CONTROLLED DOCUMENT FOR TYCO ELECTRONICS CORPORATION IT IS SUBJECT TO CHANGE AND THE CONTROLLING ENGINEERING ORGANIZATION SHOULD BE CONTACTED FOR THE LATEST REVISION.</small>		DWN BLUNCK 23DEC1981 CHK KNELL 06JUN1982 APVD - PRODUCT SPEC - APPLICATION SPEC - WEIGHT -	Tyco Electronics AMP GmbH 64625 Bensheim (Germany)	NAME GROUNDING CUP FOR TV Erdungsklemme fuer TV - Bildroehre	RESTRICTED TO -
DIMENSIONS: mm 	TOLERANCES UNLESS OTHERWISE SPECIFIED: 0 PLC ± - 1 PLC ± - 2 PLC ± 0.2 3 PLC ± 0.2 4 PLC ± - ANGLES ± 1°	FINISH SEE SHEET 1	SIZE A3	CAGE CODE 00779	DRAWING NO G-927925
MATERIAL SEE SHEET 1		CUSTOMER DRAWING		SCALE 5:1	SHEET 2 OF 2

单击下面可查看定价，库存，交付和生命周期等信息

[>>TE Connectivity\(泰科\)](#)