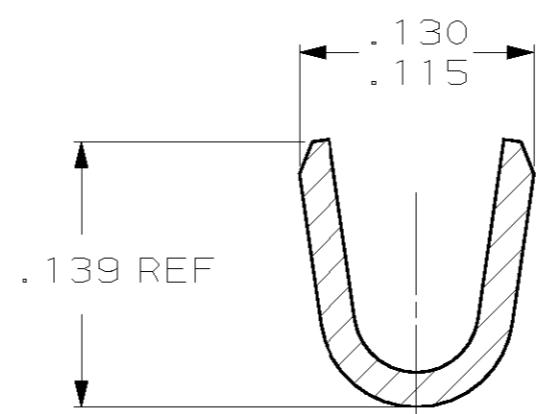
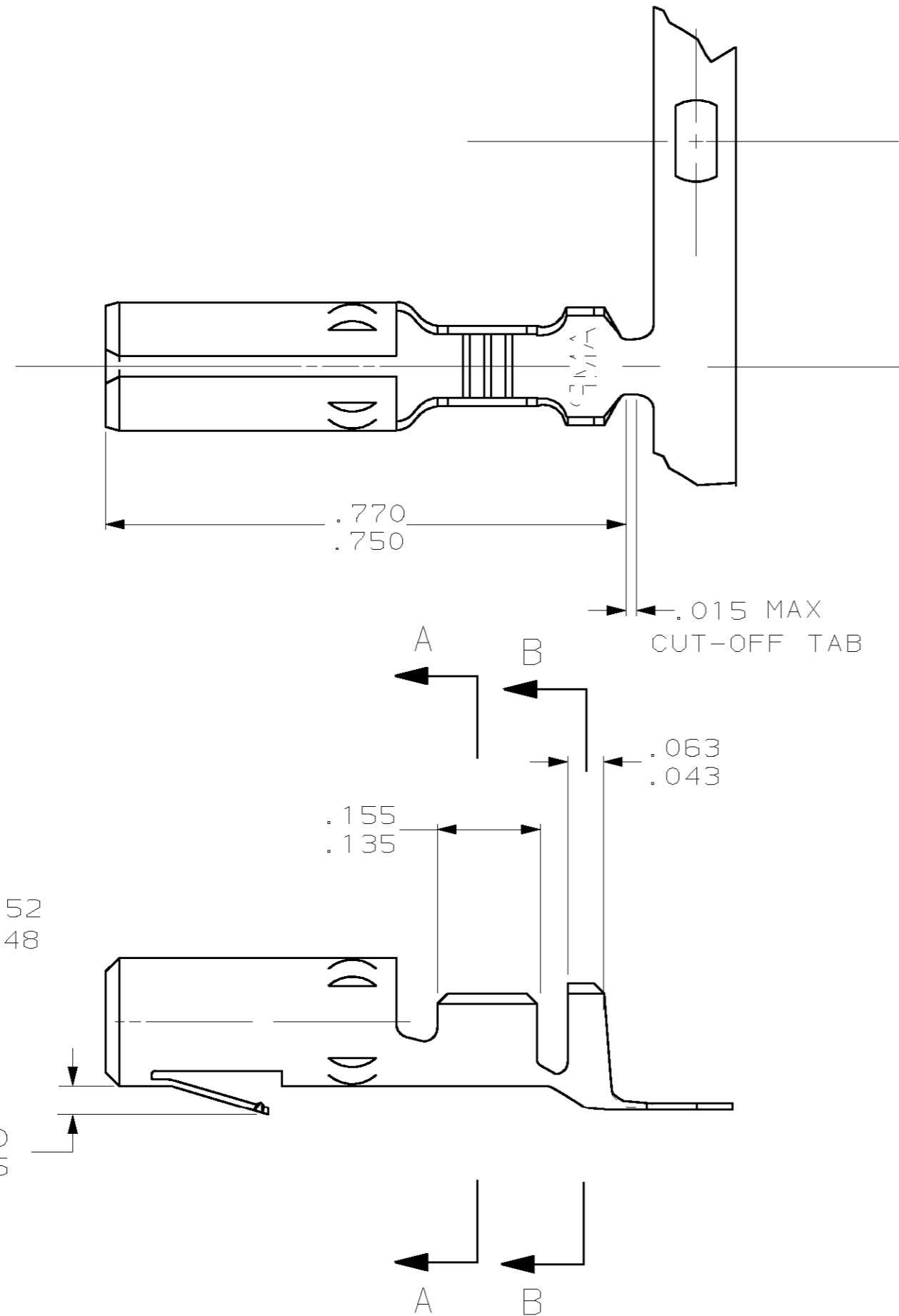


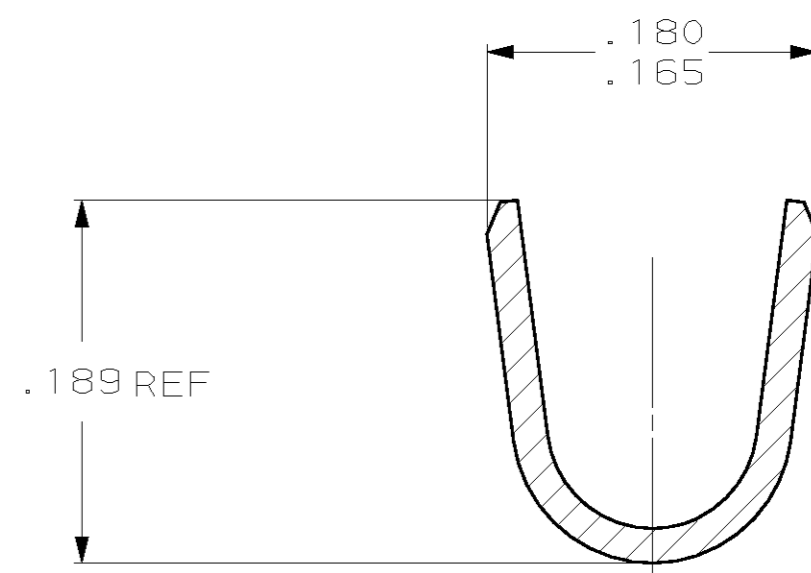
THIS DRAWING IS UNPUBLISHED. RELEASED FOR PUBLICATION .19
 BY AMP INCORPORATED. ALL RIGHTS RESERVED.

LOC	DIST	REVISIONS			
P	LTR	DESCRIPTION	DATE	DWN	APVD
CM	53	S	REVISED PER EC 063B-0079-00	21-FEB-00	KW SR

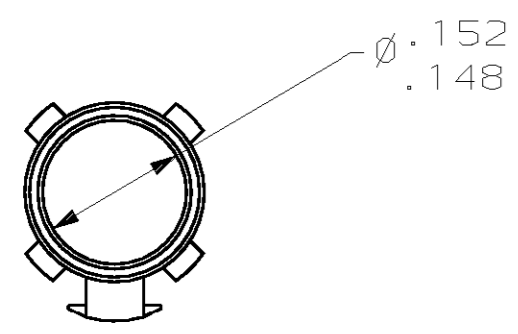
1. WIRE RANGE: 20-14 AWG (0.5-2MM²).
 INSULATION RANGE: .125 MAX.



SECTION A-A
SCALE 10:1



SECTION B-B
SCALE 10:1



PRELIMINARY	TIN	.018 PH BRZ	61085-3
	TIN	.018 BRASS	61085-1
	FINISH	MATERIAL	PART NO

IN	MM	IN	MM	IN	MM	IN	MM
.050	1.27	.139	3.53	.180	4.57	-	-
.043	1.09	.135	3.43	.165	4.19	-	-
.035	0.89	.130	3.30	.156	3.96	-	-
.018	0.46	.125	3.18	.155	3.94	.770	19.56
.015	0.38	.115	2.92	.152	3.86	.750	19.05
.005	0.13	.063	1.60	.148	3.76	.189	4.80
IN	MM	IN	MM	IN	MM	IN	MM

CONVERSION TABLE

METRIC

THIS DRAWING IS A CONTROLLED DOCUMENT FOR AMP INCORPORATED. IT IS SUBJECT TO CHANGE AND THE CONTROLLING ENGINEERING ORGANIZATION SHOULD BE CONTACTED FOR THE LATEST REVISION.

DIMENSIONS:	TOLERANCES UNLESS OTHERWISE SPECIFIED:	DWN	J. HUFFMAN	12-07-95	AMP AMP Incorporated Harrisburg, PA 17105-3608
mm (INCHES)	0 PLC ±-	CHK	R. SWING	12-07-95	
	1 PLC ±-	APVD	C. MARTIN	12-07-95	
	2 PLC ± .005	PRODUCT SPEC	NAME		
MATERIAL	3 PLC ±	APPLICATION SPEC	SIZE		A2
	4 PLC ±	WEIGHT	CAGE CODE		00779
	ANGLES ±	CUSTOMER DRAWING	DRAWING NO		C-61085
	FINISH ±		SCALE	SHEET	OF
			5:1	1	1
				REV	5

单击下面可查看定价，库存，交付和生命周期等信息

[>>TE Connectivity\(泰科\)](#)