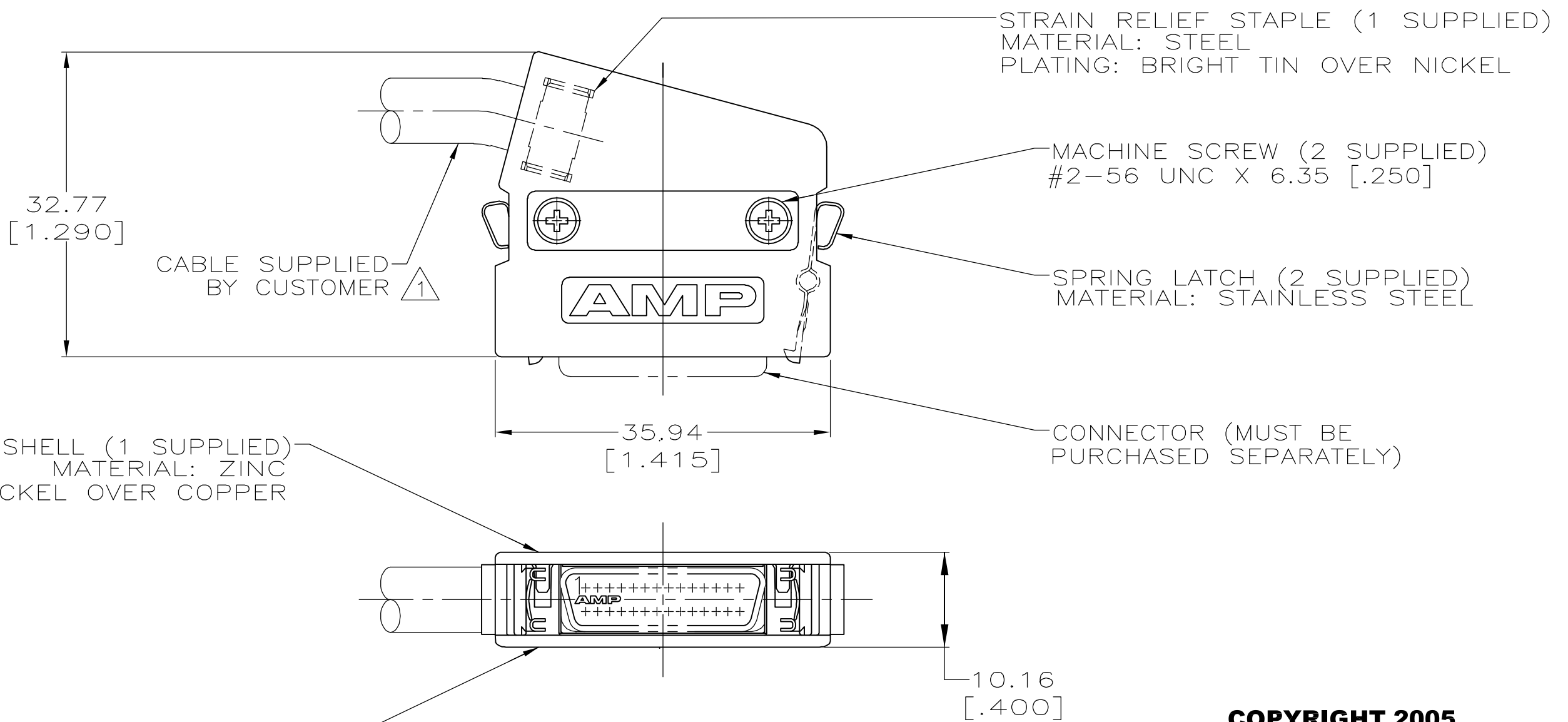


THIS DRAWING IS UNPUBLISHED. RELEASED FOR PUBLICATION
 © COPYRIGHT BY TYCO ELECTRONICS CORPORATION. ALL RIGHTS RESERVED.

LOC	DIST	REVISIONS					
GP	00	P	LTR	DESCRIPTION	DATE	DWN	APVD
		0		RELEASED PER EC OS13-0001-05	26AUG05	GP	JG



LOWER BACKSHELL (1 SUPPLIED)
MATERIAL: ZINC PLATING: NICKEL OVER COPPER

① 7.49 [.295] MAX CABLE DIA
 2. PARTS PACKAGED AS A UNIT KIT.

**COPYRIGHT 2005
 TYCO ELECTRONICS CORP
 ALL RIGHTS RESERVED**

5749200-1
 PART NO

THIS DRAWING IS A CONTROLLED DOCUMENT.		DWN G.PETERS 26AUG05	Tyco Electronics Corporation Harrisburg, PA 17105-3608	
DIMENSIONS: INCHES		CHK S.SHUEY 26AUG05		
		APVD M.WALMSLEY 26AUG05	NAME INDIVIDUAL KIT, UNASSEMBLED, 28 POSITION, 75' EXIT, UNKEYED, AMPLIMITE .050 Series	
TOLERANCES UNLESS OTHERWISE SPECIFIED:		PRODUCT SPEC	APPLICATION SPEC	
0 PLC ± - 1 PLC ± - 2 PLC ± - 3 PLC ± .038 [.015] 4 PLC ± - ANGLES ± -		WEIGHT	SIZE A3	CAGE CODE 00779
MATERIAL		FINISH	DRAWING NO G=5749200	
			RESTRICTED TO	
		CUSTOMER DRAWING		SCALE 1:1
				SHEET 1 OF 1
				REV 0

单击下面可查看定价，库存，交付和生命周期等信息

[>>TE Connectivity\(泰科\)](#)