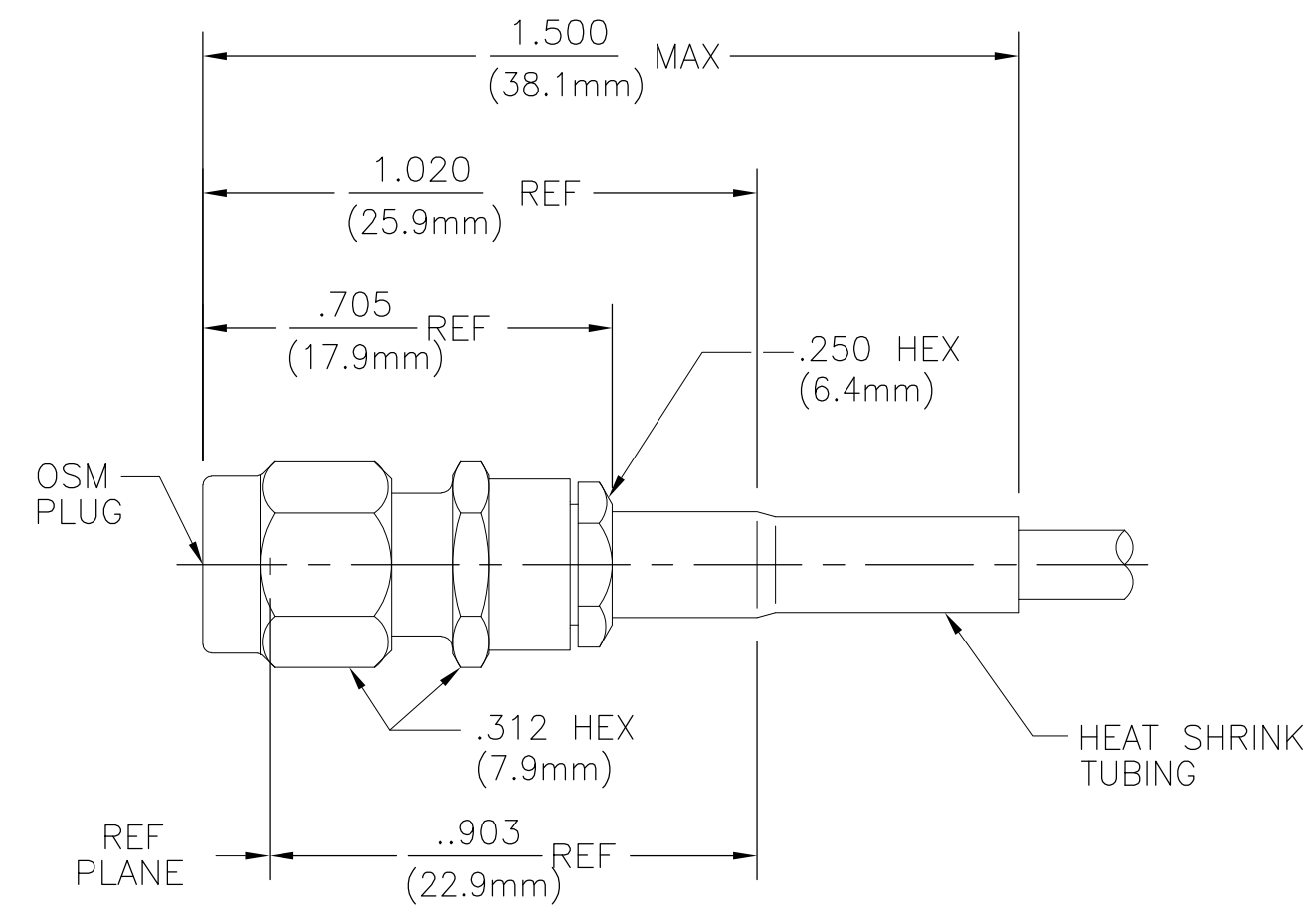


THIS DRAWING IS UNPUBLISHED. RELEASED FOR PUBLICATION
 © COPYRIGHT BY TYCO ELECTRONICS CORPORATION. ALL INTERNATIONAL RIGHTS RESERVED.

DESIGNED FOR USE WITH RG-174/U OR EQUIVALENT	LOC AJ	DIST 00
CABLE ENTRY DIAMETER MINIMUM		
CONTACT	.021	
SLEEVE	.128	
CLAMP NUT	.179	

REVISIONS					
P	LTR	DESCRIPTION	DATE	DWN	APVD
B		REV PER ECO 07-004710	3/12/2007	DW	KW
C		REVISED PER ECO-08-030676	25-02-09	AEG	JKO



- ① BRASS
- ② STAINLESS STEEL
- ③ BERYLLIUM COPPER
- ④ PTFE
- ⑤ GOLD PLATE
- ⑥ PASSIVATED
- ⑦ SILICONE RUBBER
- ⑧ NICKEL PLATE
- ⑨ NYLON OR ZYTEL
- ⑩ POLYOLEFIN COMPOUND

⑩	①⑤	①⑤	①⑤	⑨	③⑤	④	⑦	①⑤	③	①	①⑤	1051664-2
⑩	①⑤	②⑤	②⑤	⑨	③⑤	④	⑦	②⑤	③	①	②⑤	1051664-1
SHRINK TUBE	FERRULE	CLAMP NUT	SLEEVE	DIELECTRIC REAR	CONTACT	DIELECTRIC	"O" RING	HOUSING	LOCKING RING	GASKET	COUPLING NUT	TE PN

ELECTRICAL	MECHANICAL	ENVIRONMENTAL
Nominal Impedance (Ohms) <u>50</u>	Interface Dimensions MIL-STD-348A, Fig. <u>310.1</u>	TEMPERATURE RATING <u>-65°C TO +165°C</u>
Frequency Range (GHz) DC to <u>12.4</u>	Recommended Mating Torque <u>7-10 IN-LB</u>	Vibration MIL-STD-202, Method 204, Condition D
Volt Rating (VRMS MAX) @ Sea Level <u>250</u>	Mating Characteristics: Insertion (MAX Lbs) <u>N/A</u>	Shock MIL-STD-202, Method 213, Condition I
VSWR <u>1.15+.02 f(GHz)</u>	Withdrawal (MIN Oz) <u>N/A</u>	Thermal Shock MIL-STD-202, Method 107, Condition C,
Insertion Loss (dB MAX) <u>.06 √f(GHz)</u>	Force to Engage and Disengage (In-Lbs MAX) <u>2</u>	Moisture Resistance MIL-STD-202, Method 106,
RF Leakage (dB MIN) <u>-60</u>	Center Contact Captivation Axial (Lbs) <u>6.0</u>	Corrosion - MIL-STD-202, Method 101, Condition B, 5% salt spray
Dielectric Withstanding Voltage (VRMS MIN) @ Sea Level <u>500</u>	Cable Retention Axial Force (Lbs) <u>20 MIN</u>	
Contact Resistance (Milliohms MAX) Center Contact <u>3.0</u>	Torque (In-Oz) <u>N/A</u>	
Outer Contact <u>2.0</u>	Weight (Grams) <u>TBD</u>	
Cable to Housing <u>0.5</u>		
RF High Potential @ Sea Level (VRMS MIN @ 5 MHz) <u>500</u>		
I.R.(Megohms MIN) <u>10,000</u>		

THIS DRAWING IS A CONTROLLED DOCUMENT.

DWN	F.J.C	5/16/69
CHK	B.W.C	5/17/69
APVD	D.NANIA	5/20/69

Tyco Electronics Corporation
Harrisburg, PA 17105-3608

NAME: OSM STRAIGHT CABLE PLUG CRIMP ATTACHMENT

SIZE	A2	CAGE CODE	00779	DRAWING NO	1051664	RESTRICTED TO	-
SCALE	3:1	SHEET	1 of 1	REV	C		

CUSTOMER DRAWING

单击下面可查看定价，库存，交付和生命周期等信息

[>>TE Connectivity\(泰科\)](#)