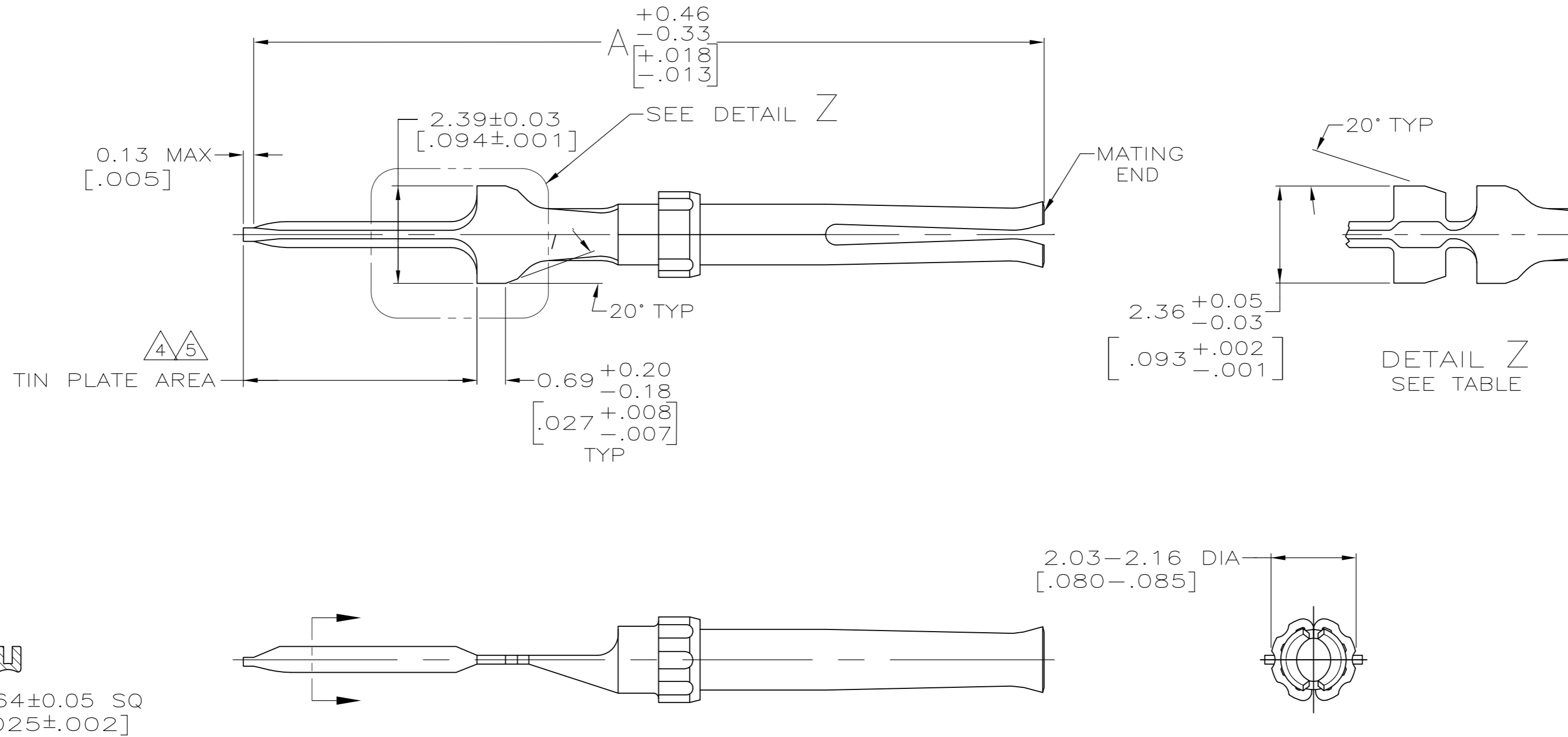


THIS DRAWING IS UNPUBLISHED. RELEASED FOR PUBLICATION  
 © COPYRIGHT - By - ALL RIGHTS RESERVED.

LOC		DIST		REVISIONS			
P	LTR	DESCRIPTION	DATE	DWN	APVD		
GP	00	M	REVISED PER ECO-12-021105	27DEC2012	CJV	SLB	



- FOR MATING CONTACT SEE DRAWING 745287.
- TO BE USED FOR REPLACEMENT ONLY.
- PLATED GOLD FLASH FOR LENGTH OF 2.54 [.100] MIN FROM MATING END, 2.54 $\mu$ m [.000100] MIN TIN ON TIN PLATE AREA, ALL OVER 1.27 $\mu$ m [.000050] MIN NICKEL.
- PLATED GOLD FLASH FOR LENGTH OF 2.54 [.100] MIN FROM MATING END 2.54 $\mu$ m [.000100] MIN TIN-LEAD ON TIN PLATE AREA, ALL OVER 1.27 $\mu$ m [.000050] MIN NICKEL.
- PLATED 0.76 $\mu$ m [.000030] GOLD FOR LENGTH OF 2.54 [.100] MIN FROM MATING END, 2.54 $\mu$ m [.000100] MIN TIN-LEAD ON TIN PLATE AREA, ALL OVER 1.27 $\mu$ m [.000050] MIN NICKEL.
- GOLD PLATED AS FOLLOWS:  
 PLATED WITH 0.76 $\mu$ m [.000030] GOLD FOR A LENGTH OF 2.54 [.100] MIN FROM MATING END, 2.54 $\mu$ m [.000100] MIN TIN ON TIN PLATE AREA, ALL OVER 1.27 $\mu$ m [.000050] MIN NICKEL.  
 OR  
 GOLD FLASH OVER PALLADIUM-NICKEL PLATE, 0.76 $\mu$ m [.000030] MIN TOTAL FOR A LENGTH OF 2.54 [.100] MIN FROM MATING END, 2.54 $\mu$ m [.000100] MIN TIN ON TIN PLATE AREA, ALL OVER 1.27 $\mu$ m [.000050] MIN NICKEL.
- MATERIAL: PHOSPHOR BRONZE.

	PER DETAIL Z	26.92 [1.060]	3	7-745288-2
OBSOLETE	AS SHOWN	30.15 [1.187]	6	7-745288-0
	PER DETAIL Z	32.56 [1.282]	6	6-745288-1
	PER DETAIL Z	26.92 [1.060]	6	5-745288-8
	AS SHOWN	19.30 [.760]	6	5-745288-5
OBSOLETE	AS SHOWN	30.15 [1.187]	5	4-745288-4
OBSOLETE	AS SHOWN	21.16 [.833]	5	2-745288-0
OBSOLETE	AS SHOWN	21.16 [.833]	4	1-745288-8
OBSOLETE	PER DETAIL Z	32.56 [1.282]	5	1-745288-2
OBSOLETE	PER DETAIL Z	32.56 [1.282]	4	1-745288-0
OBSOLETE	PER DETAIL Z	26.92 [1.060]	5	745288-8
OBSOLETE	PER DETAIL Z	26.92 [1.060]	4	745288-6
OBSOLETE	AS SHOWN	19.30 [.760]	5	745288-4
OBSOLETE	AS SHOWN	19.30 [.760]	4	745288-2
	RETENTION TINES	A	FINISH	PART NO

THIS DRAWING IS A CONTROLLED DOCUMENT. DIMENSIONING AND TOLERANCING PER ASME Y14.5M-2009

DWN R.SHIREY 29 JAN 91  
 CHK J.MCCLINTON 06 FEB 91

TE Connectivity

SOCKET CONTACT, SIZE 20 DF, AMPLIMITE

MATERIAL: PHOSPHOR BRONZE (Symbol 7)

FINISH: 3 4 5 6

APVD: -  
 PRODUCT SPEC: -  
 APPLICATION SPEC: -  
 WEIGHT: -

SIZE: A2 CAGE CODE: 00779 DRAWING NO: C=745288 RESTRICTED TO: -

CUSTOMER DRAWING SCALE: 10:1 SHEET: 1 OF 1 REV: M

单击下面可查看定价，库存，交付和生命周期等信息

[>>TE Connectivity\(泰科\)](#)