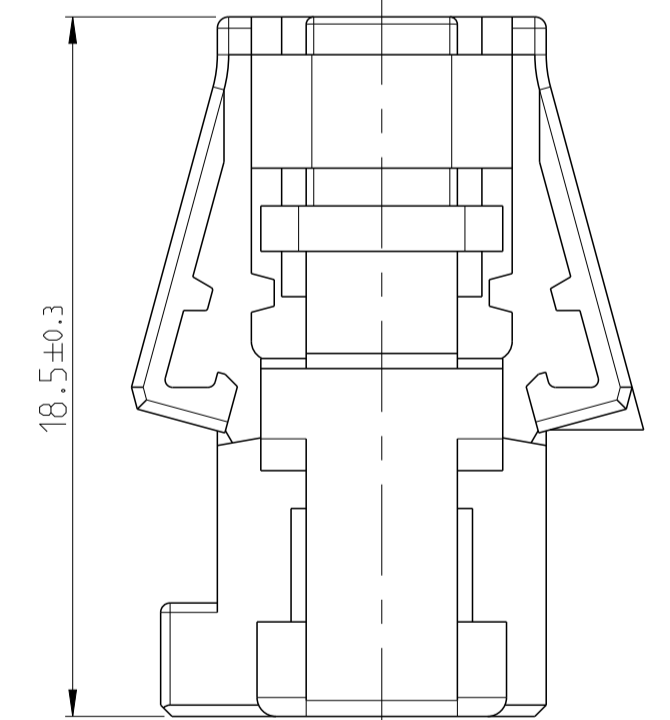
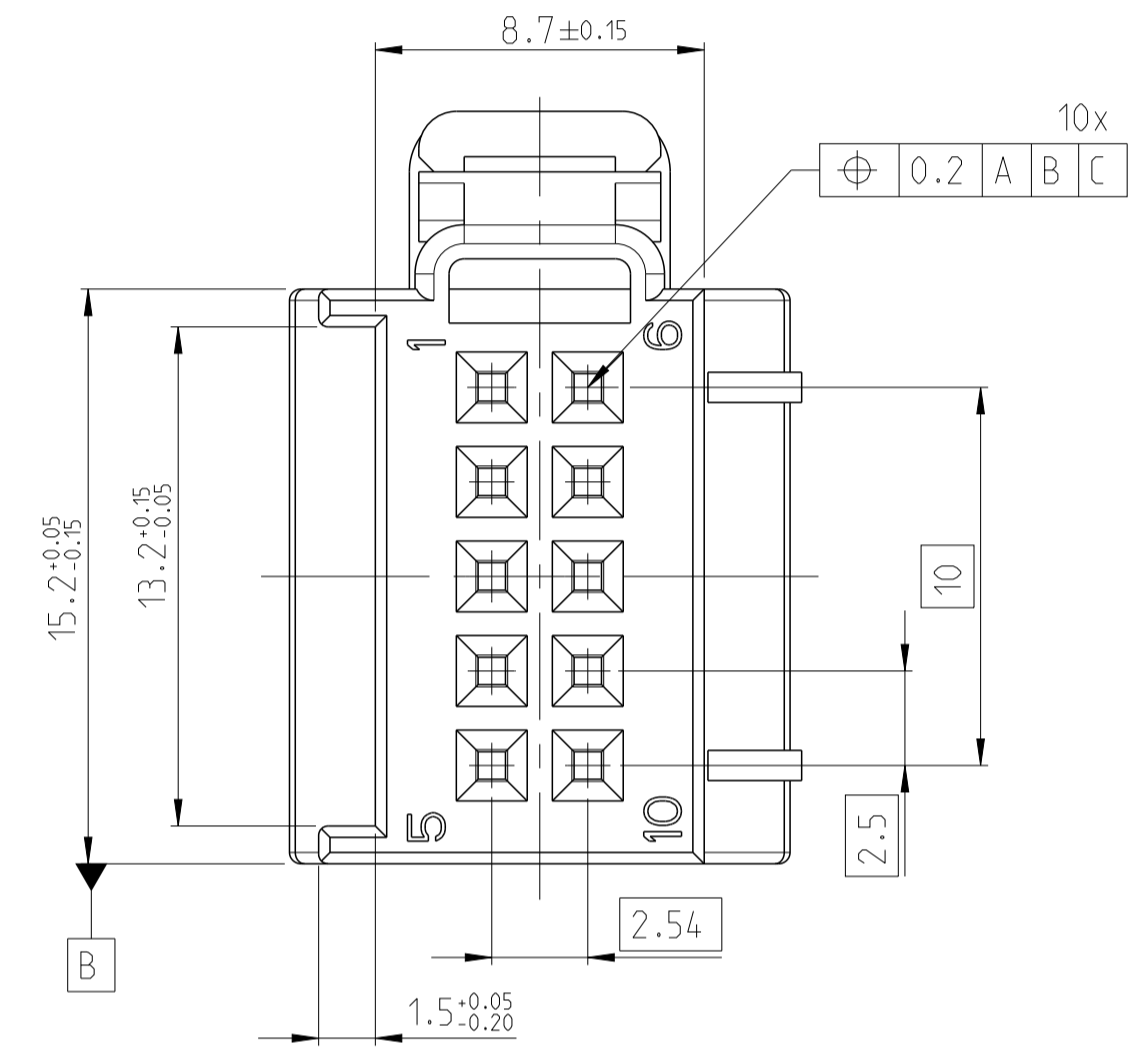
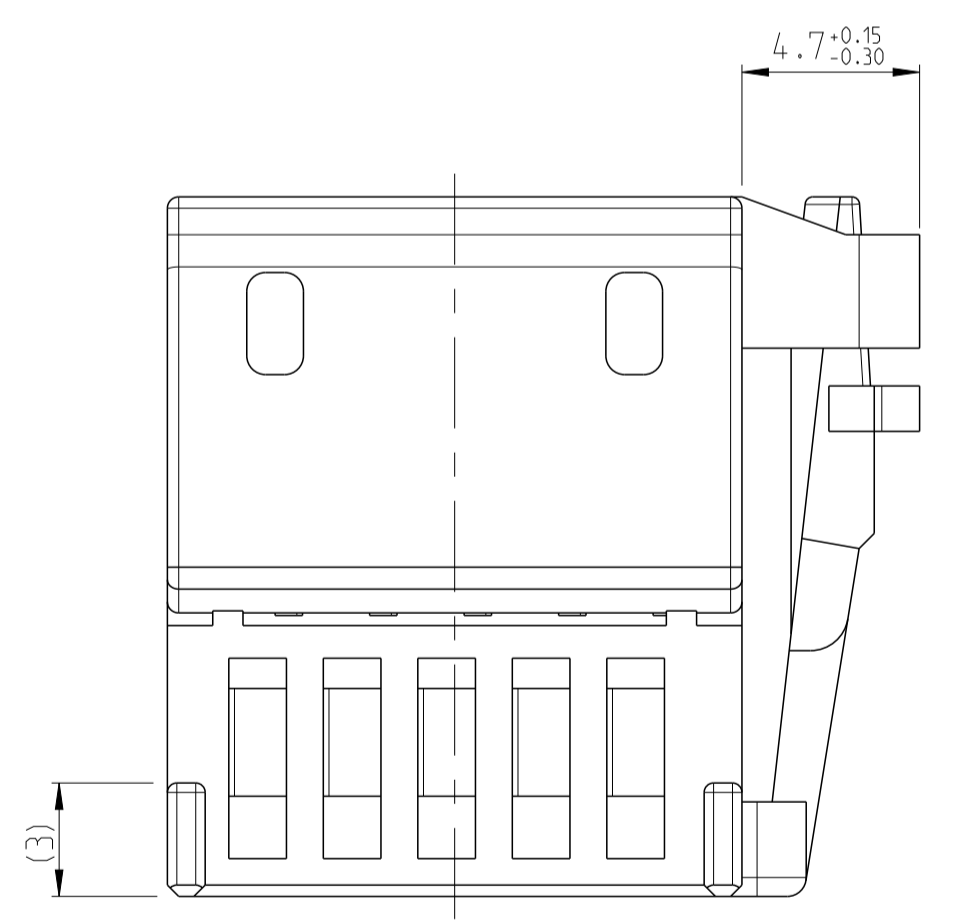
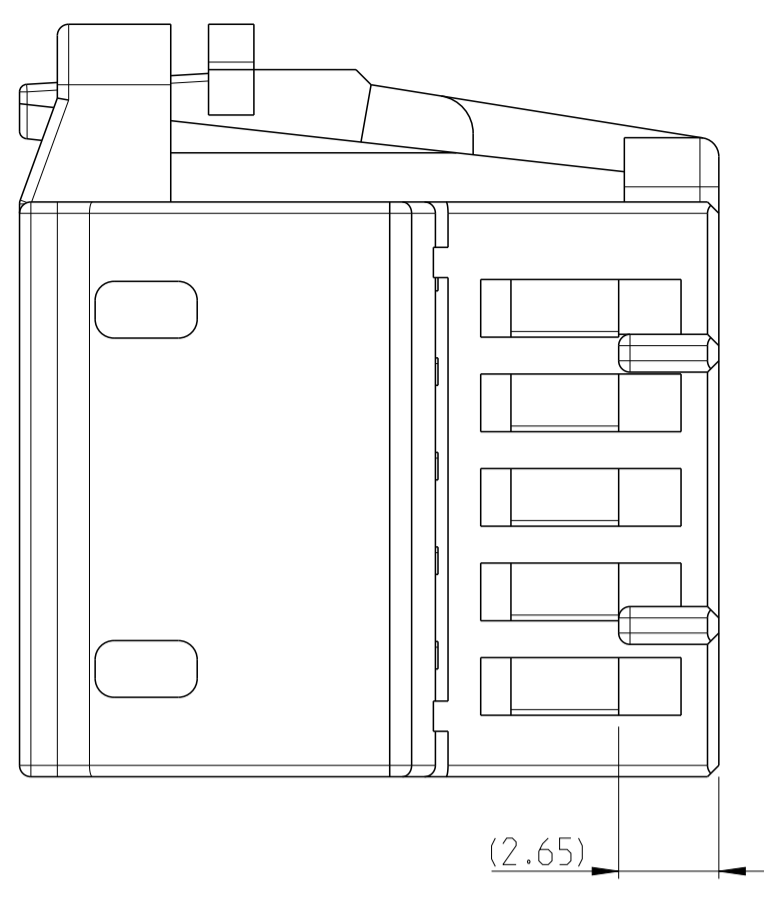
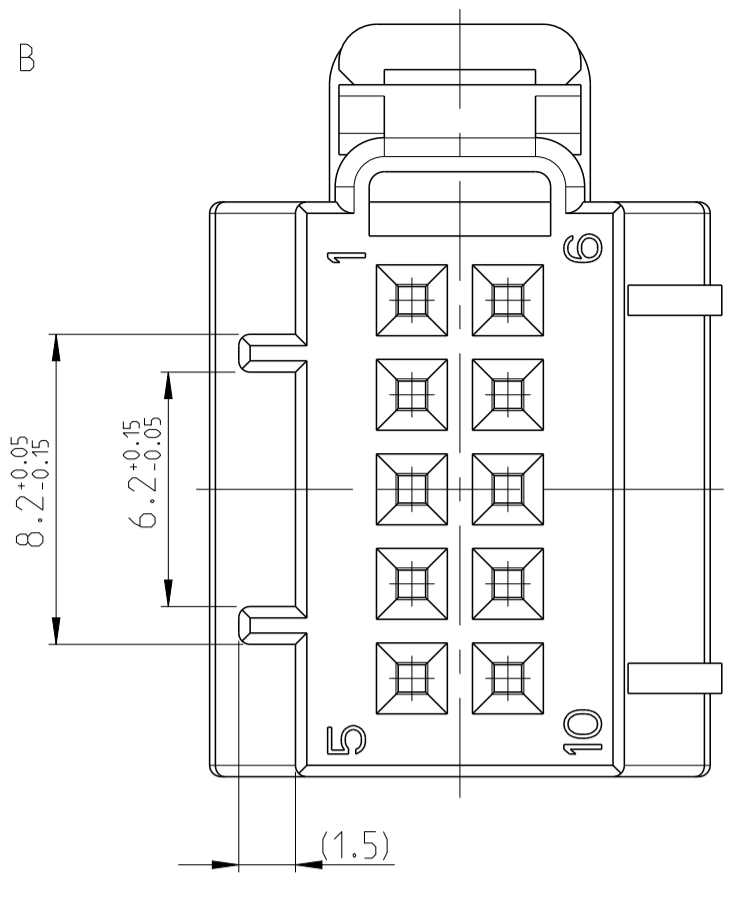


1
Kodierung A
CODING A

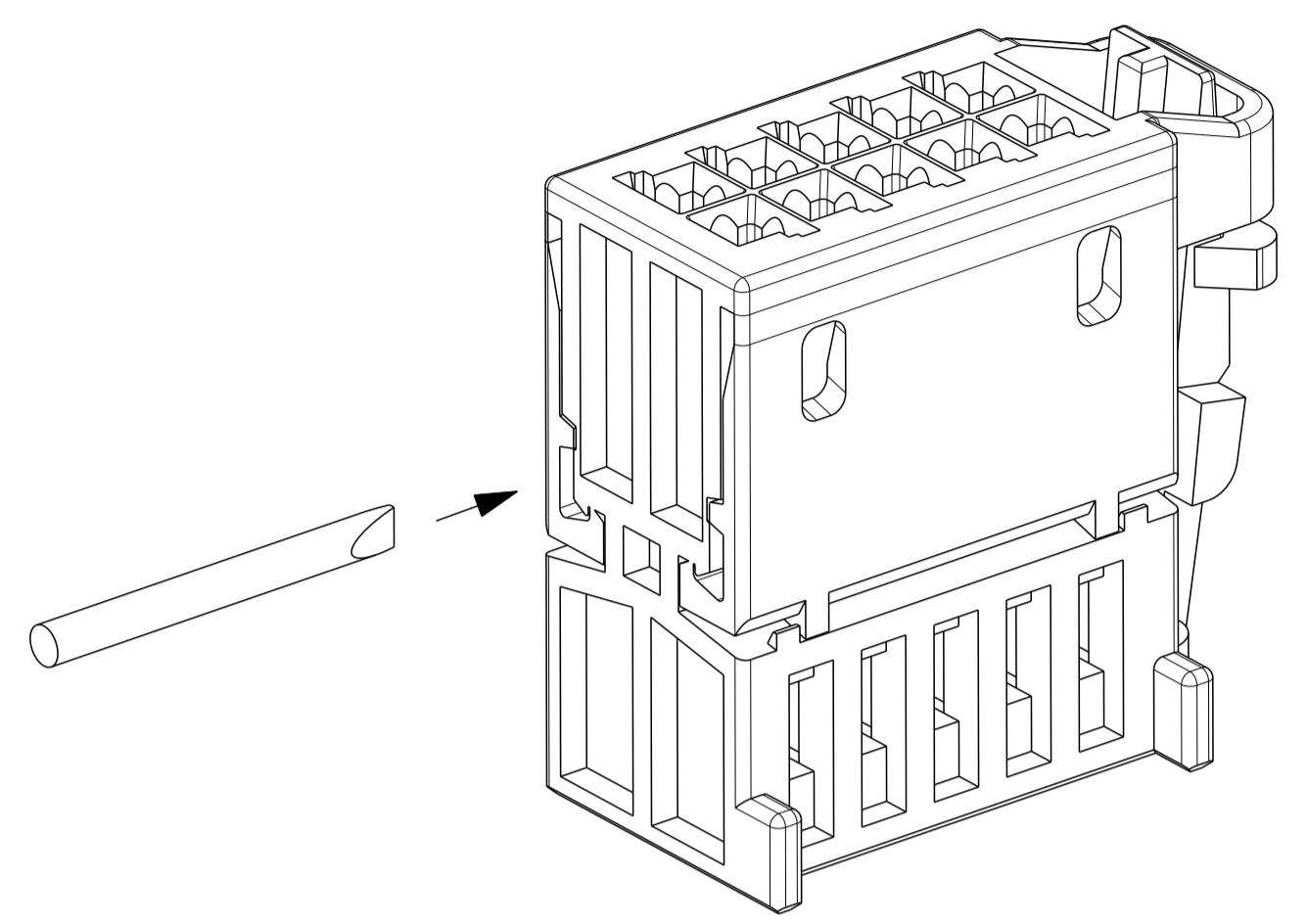


2
Kodierung B
CODING B



LOC	DIST	REVISONS	DATE	DWN	APVD	
A1	-	ÄNDERUNGEN				
PRDCT NR.:	P	LTN	DESCRIPTION	DATE	DWN	APVD
	A		New Drawing	17AUG2012	MR	RBT
	A1		SLOTS IN THE FLIP SEC. LOCK ADDED	27MAR2013	MR	RBT
	A2		1-1670990-4 added	13JUN2017	KS	MZ

Deckel geschlossen dargestellt
COVER CLOSED PICTURED



OPENING GUIDE: TO OPEN THE LOCKED RETAINER, USE A Ø 1x0.18MM SCREWDRIVER AND PUSH IT IN THE SHOWN OPENING.
Oeffnungsanleitung: Zum Oeffnen des verrasteten Deckels wird ein Ø1x0.18mm Schraubendreher in die gezeigte Oeffnung gedrecks.

Bemerkungen

- 1 Passende Kontakte 1355717, 928999, 963715
- 2 Passende Stiftwanne siehe Zeichnung-Nr. 969587
- 3 Materialentnahme optional in Ausfuehrung und Lage nach Wahl des Herstellers moeglich
- 4 Verpackung: Schuetztgut in Karton

NOTES

- 1 SUITABLE CONTACTS 1355717, 928999, 963715
- 2 SUITABLE PIN HEADER SEE DRAWING NO. 969587
- 3 MATERAIL REMOVAL OPTIONAL IN EXECUTION AND POSITION ACC. TO MANUFACTURER POSSIBLE
- 4 PACKAGING: LOOSE PIECE IN CARDBOX

PART NO	REV.	COD.	MATERIAL	COLOUR	WEIGHT [g]	POS.
1-1670990-4	A	A	PBT-GF10	DARK BROWN/dunkelbraun	2.04	1
1-1670990-2	A	B	PBT-GF10	GREY/grau	2.04	2
1-1670990-1	A	A	PBT-GF10	BLACK/schwarz	2.04	1

THIS DRAWING IS A CONTROLLED DOCUMENT. THIS DRAWING IS A CONTROLLED DOCUMENT. THIS DRAWING IS A CONTROLLED DOCUMENT.

1-1670990-4 A A PBT-GF10 DARK BROWN/dunkelbraun 2.04 1

1-1670990-2 A B PBT-GF10 GREY/grau 2.04 2

1-1670990-1 A A PBT-GF10 BLACK/schwarz 2.04 1

PART NO REV. COD. MATERIAL COLOUR WEIGHT [g] POS.

Customer Drawing

17AUG2012

Madresh R

Rudresh B T

TE Connectivity

10POS. MQS REC. HOUSING

10pol. MQS Buchsengehaeuse

SCALE 5:1

SHEET 1 OF 1

单击下面可查看定价，库存，交付和生命周期等信息

[>>TE Connectivity\(泰科\)](#)