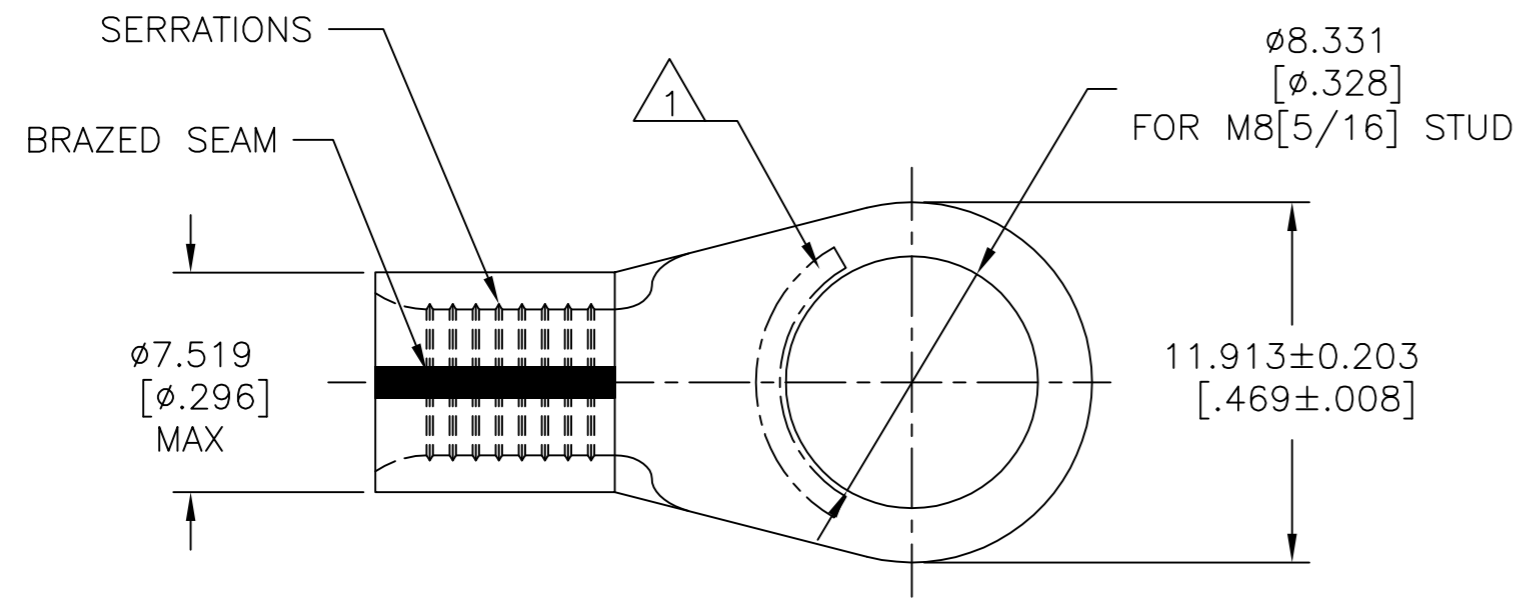


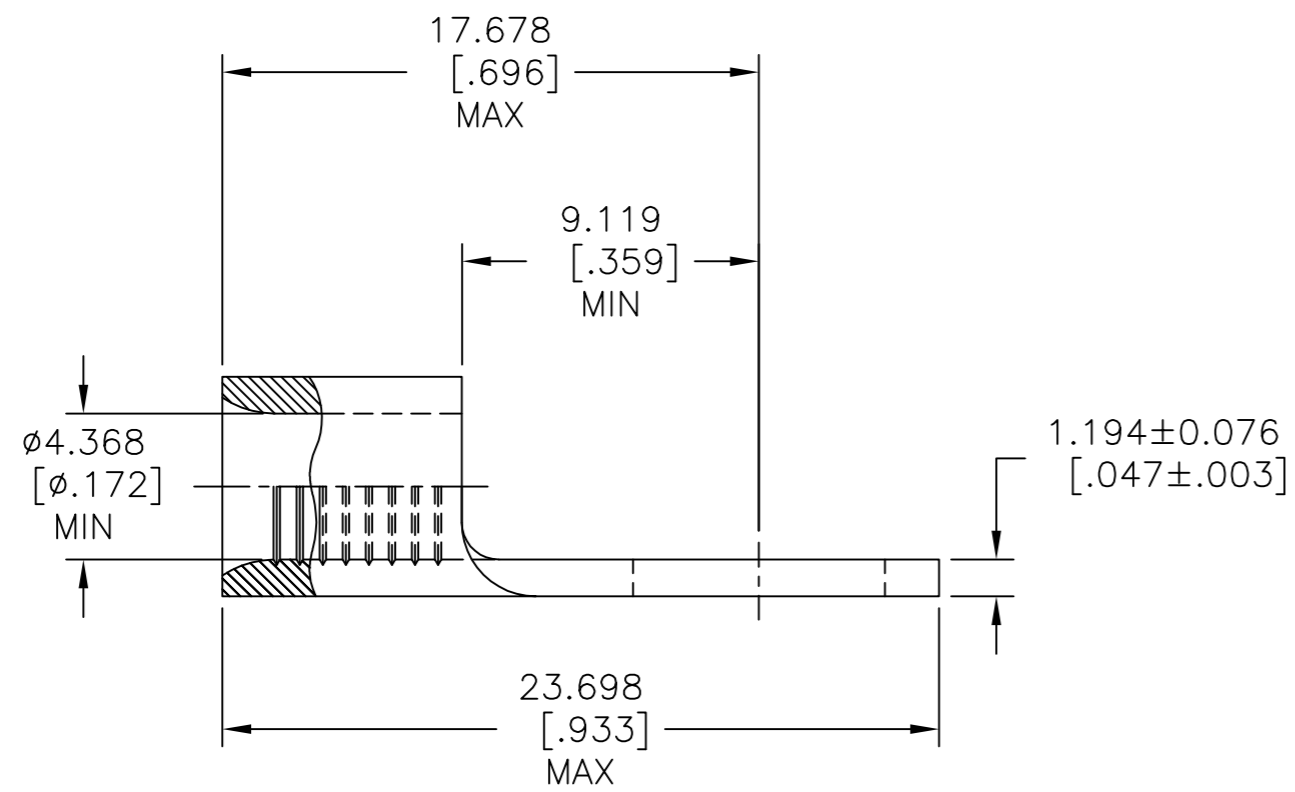
THIS DRAWING IS UNPUBLISHED. RELEASED FOR PUBLICATION
 © COPYRIGHT - TE Connectivity ALL RIGHTS RESERVED.

REVISIONS					
P	LTR	DESCRIPTION	DATE	DWN	APVD
B1		REV PER ECR 09-027810	29DEC09	JR	TM
B2		REVISED PER ECO-17-016547	14NOV2017	RS	DR



AMP WIRE RANGE	Listed FILE E13288	LR7189 Certified
8 AWG SOLID OR STRANDED	8 AWG STRANDED	8 AWG SOLID OR STRANDED

- 1 STAMP AMP 8* APPROX AS SHOWN.
- 2 NOTE DELETED.
- 3 COPPER PER ASTM B-152, ANNEALED.
- 4 TIN PLATE 0.00254 [.000100] MIN THK PER ASTM B-545.



1000	ON TAPE, REEL	55991-2
100	LOOSE PIECE	55991-1
QTY	PACKAGE TYPE	PART NO.

MAX RECOMMENDED OPERATING TEMPERATURE: 170°C[338°F] MAX	THIS DRAWING IS A CONTROLLED DOCUMENT.		DWN DK_SCHRUM 19AUG94	TE Connectivity
	VOLTAGE RATING: N/A	DIMENSIONS: mm [INCHES]	CHK DA PATTERSON 23AUG94	
CIRCULAR MIL AREA: 6.64-10.5mm²[13,100-20,800] SOLID OR STRANDED	TOLERANCES UNLESS OTHERWISE SPECIFIED: 0 PLC ± - 1 PLC ± - 2 PLC ± - 3 PLC ± 0.127[.005] 4 PLC ± - ANGLES ± - FINISH	MATERIAL 3	APVD JL MECKLEY 23AUG94	PRODUCT SPEC UL 486 A-B
			APPLICATION SPEC	SIZE A2
			WEIGHT -	CAGE CODE 00779
			CUSTOMER DRAWING	DRAWING NO C=55991
				RESTRICTED TO -
				SCALE 4:1
				SHEET 1 of 1
				REV B2

55991

A

单击下面可查看定价，库存，交付和生命周期等信息

[>>TE Connectivity\(泰科\)](#)