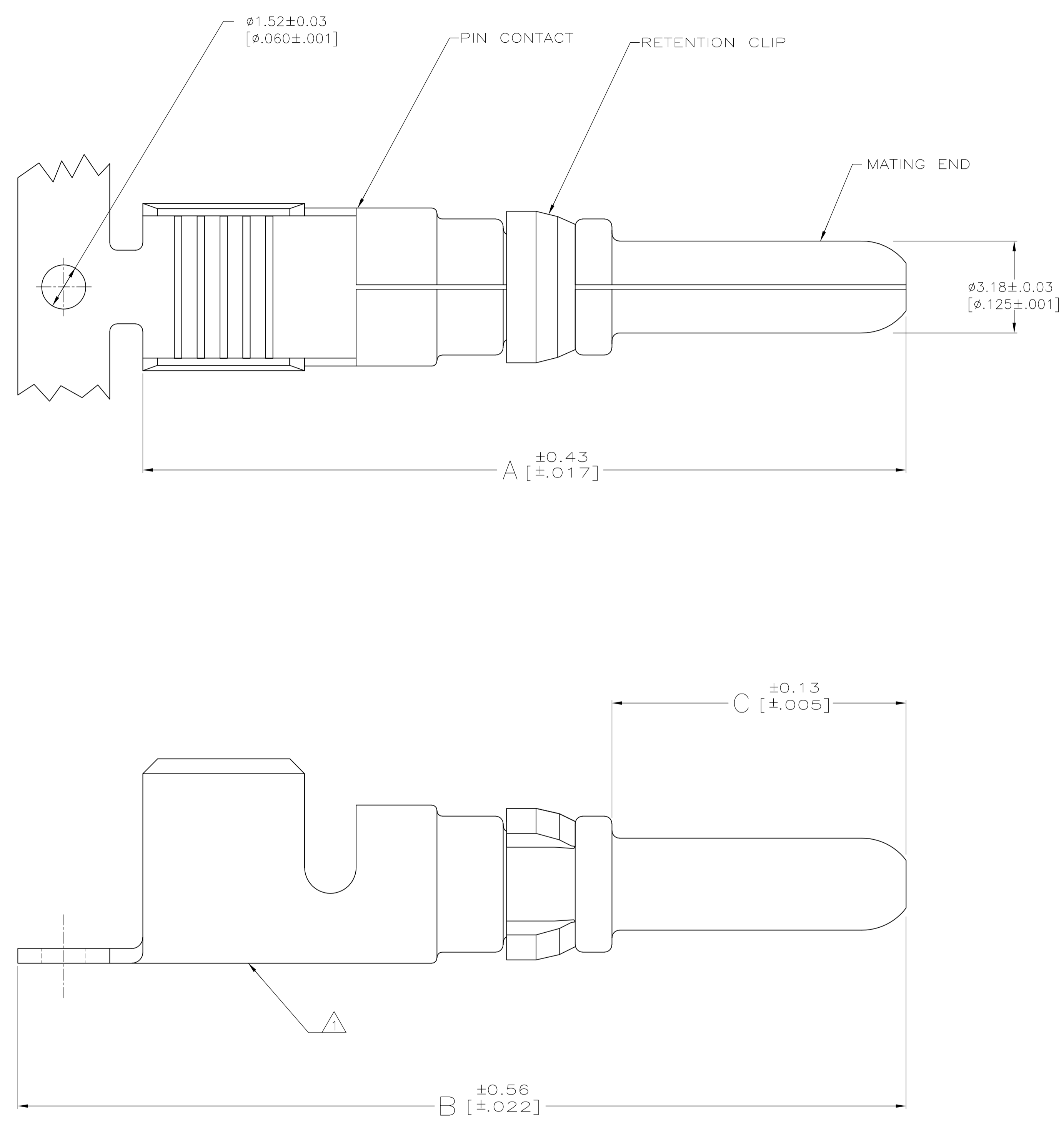
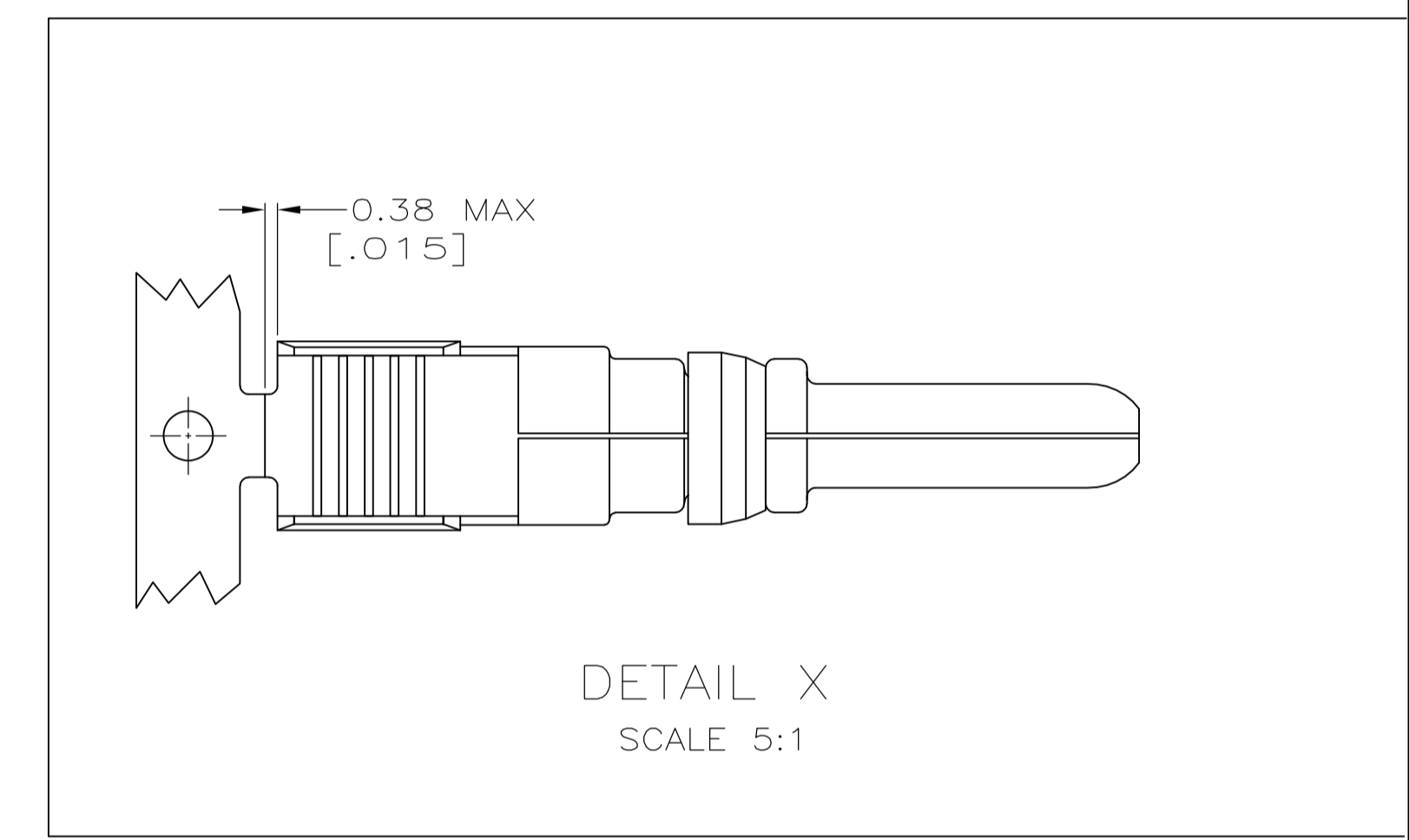


REVISIONS					
P	LTR	DESCRIPTION	DATE	DWN	APVD
B2	REVISED PER	ECO-16-004223	19JUL2016	NK	MZ



- 1 WIRE SIZE AND LOGO APPEAR ON OUTSIDE OF WIRE BARREL.
- 2 RETENTION CLIP: PHOSPHOR BRONZE PER QQ-B-750.
PIN CONTACT: COPPER PER QQ-C-576.
- 3 PIN CONTACT: $0.76\mu\text{m}$ [$.000030$] MIN GOLD PER MIL-G-45204 ON CONTACT MATING END, GOLD FLASH ON REMAINDER, ALL OVER $1.27\mu\text{m}$ [$.000050$] MIN NICKEL PER QQ-N-390.
RETENTION CLIP: $2.54\mu\text{m}$ [$.000100$] MIN NICKEL PER QQ-N-290.
- 4 PIN CONTACT: $5.08\mu\text{m}$ [$.000200$] MIN SILVER PER QQ-S-365 ON CONTACT MATING END, $1.27\mu\text{m}$ [$.000050$] MIN SILVER ON REMAINDER, ALL OVER $1.27\mu\text{m}$ [$.000050$] MIN NICKEL PER QQ-N-290.
RETENTION CLIP: $2.54\mu\text{m}$ [$.000100$] MIN NICKEL PER QQ-N-290.



OBSOLETE	3	12.32 [.485]	-	28.52 [1.123]	DETAIL X	213841-8
	4	12.32 [.485]	-	28.52 [1.123]	DETAIL X	213841-7
	3	12.32 [.485]	32.84 [1.293]	28.52 [1.123]	-	213841-6
	4	12.32 [.485]	32.84 [1.293]	28.52 [1.123]	-	213841-5
	3	10.16 [.400]	-	26.37 [1.038]	DETAIL X	213841-4
	4	10.16 [.400]	-	26.37 [1.038]	DETAIL X	213841-3
	3	10.16 [.400]	30.68 [1.208]	26.37 [1.038]	-	213841-2
	4	10.16 [.400]	30.68 [1.208]	26.37 [1.038]	-	213841-1
FINISH		C	B	A	LOOSE PIECE	PART NUMBER

THIS DRAWING IS A CONTROLLED DOCUMENT.

DIMENSIONS: mm [INCHES]	TOLERANCES UNLESS OTHERWISE SPECIFIED:	DIN C. OBERMAN 21 MAR 96	APVD G. STEINHÄUER 26 MAR 96	NAME PIN CONTACT ASSEMBLY 8-10 AWG, POWERBAND, METRIMATE
0 PLC ± -	1 PLC ± -	CHK R. STONE 25 MAR 96	SIZE A1	RESTRICTED TO
2 PLC ± -	3 PLC ± -	APVD G. STEINHÄUER 26 MAR 96	SCALE 10:1	SHEET 1 OF 1
4 PLC ± -	ANGLES ± -	APPLICATION SPEC	WEIGHT A1 00779 C=213841	REV B2
MATERIAL 1	SEE TABLE	WEIGHT	CUSTOMER DRAWING	

STE TE Connectivity

单击下面可查看定价，库存，交付和生命周期等信息

[>>TE Connectivity\(泰科\)](#)