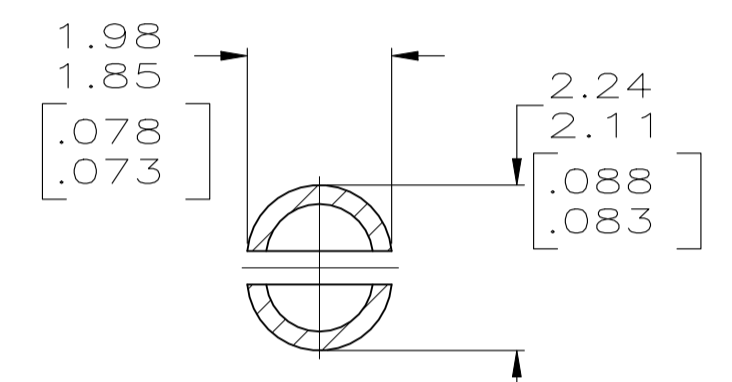
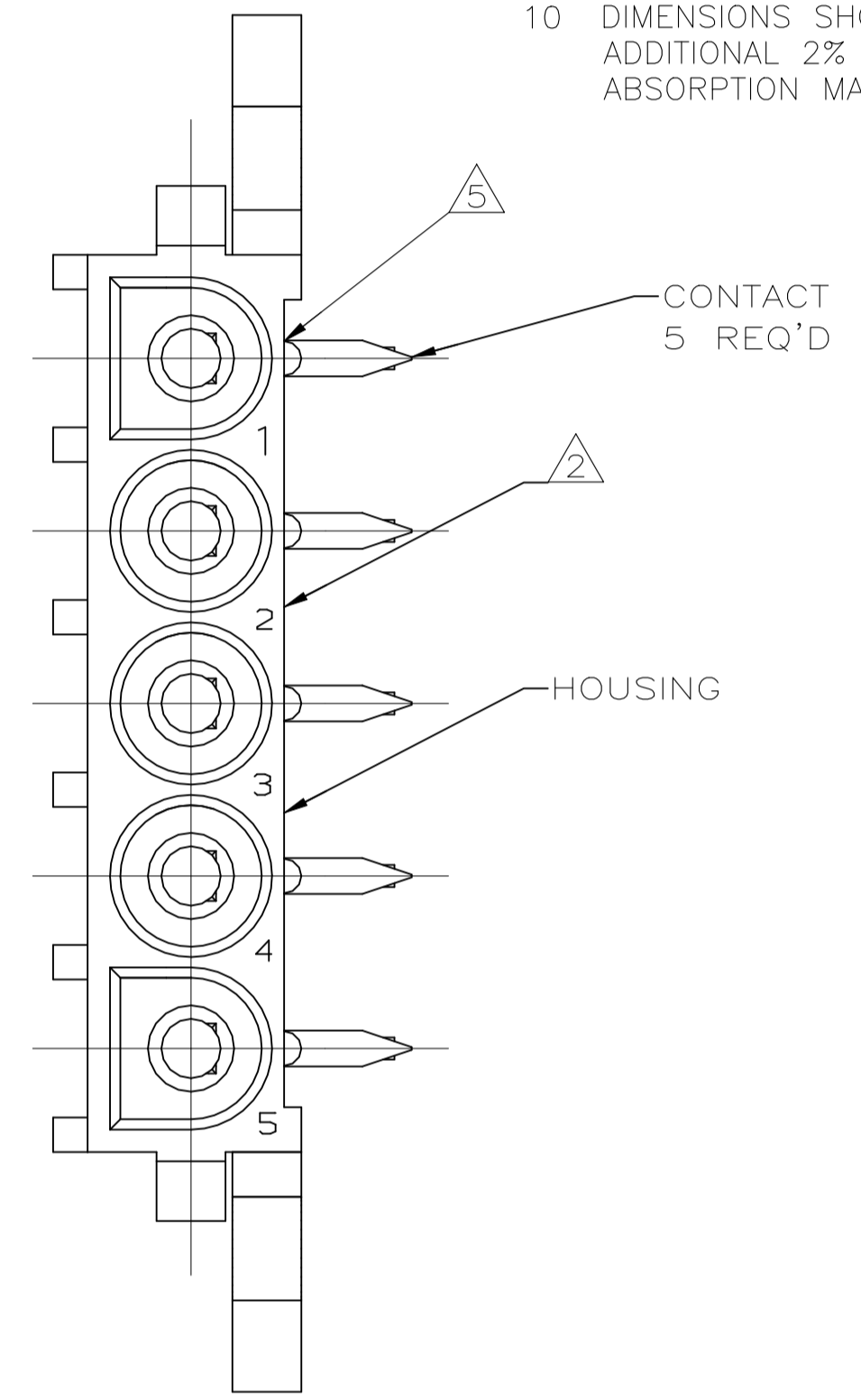
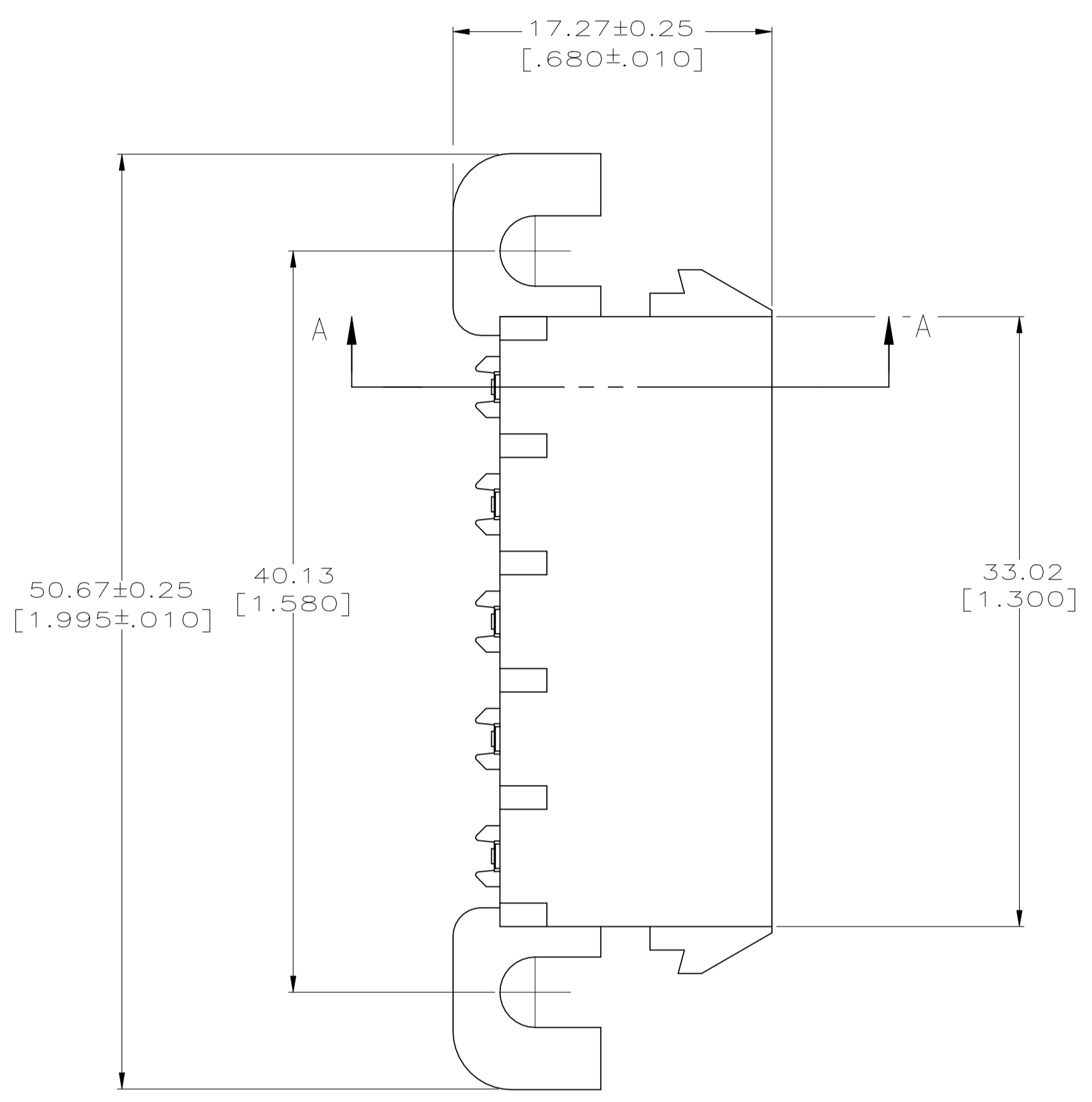
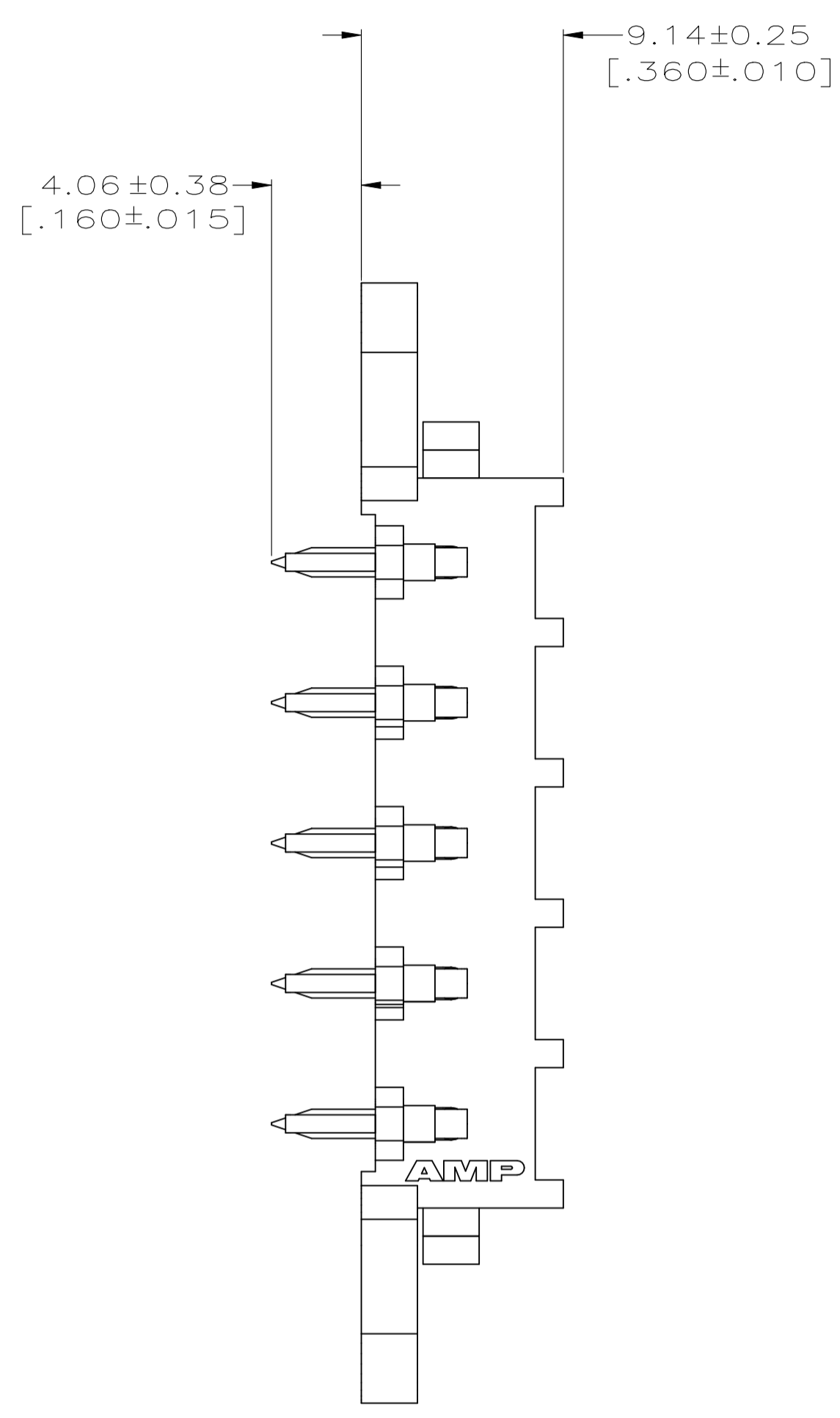
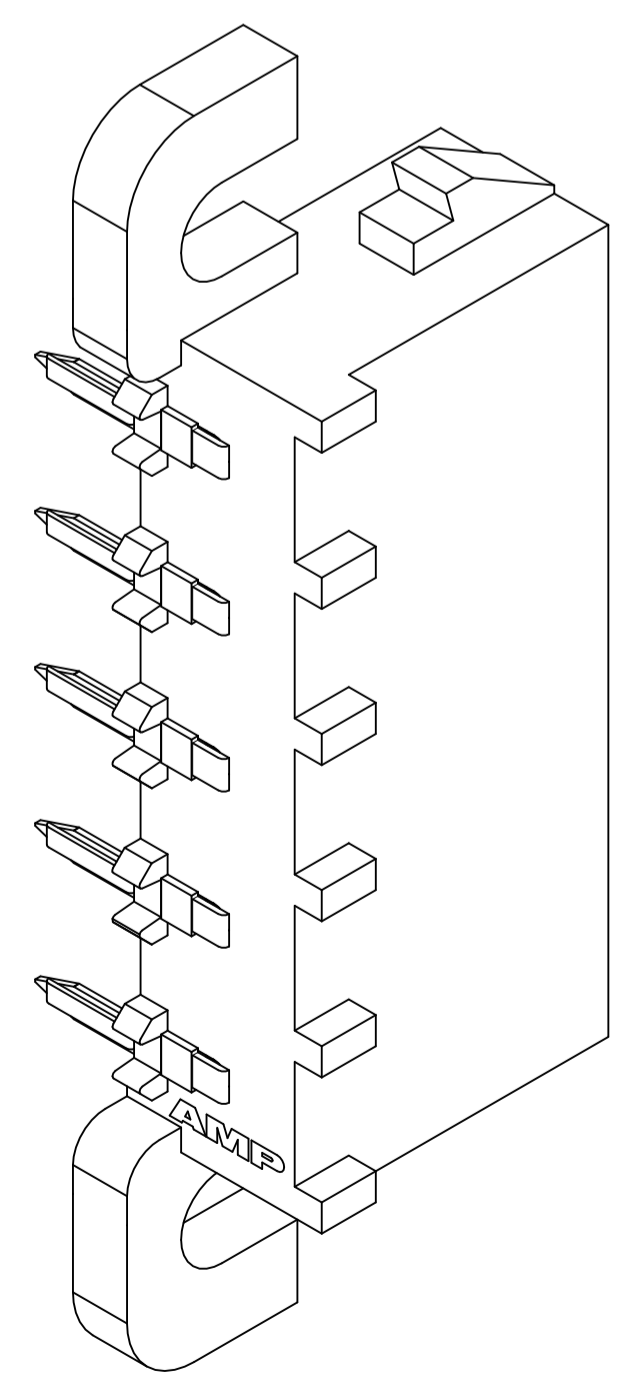


REVISIONS					
REV	DATE	DESCRIPTION	BY	CHK	APP'D
B1	02NOV2021	REVISED PER ECR-21-119230	SS	VS	

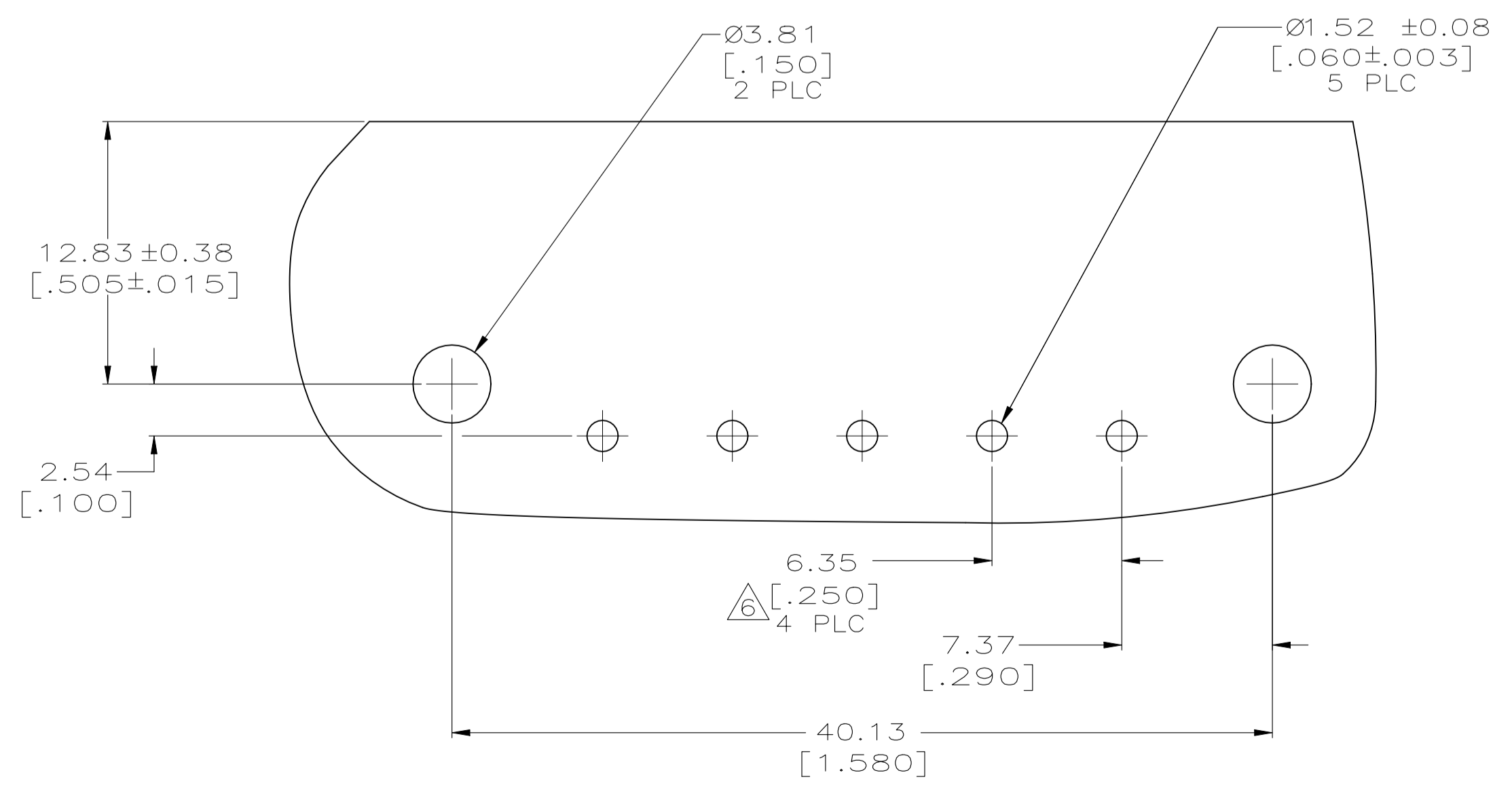
- PARTS COMPLY WITH AMP SOLDERABILITY SPECIFICATION 109-11-5.
- CIRCUIT IDENTIFICATION CHARACTERS ARE ADJACENT TO THE INDICATED CAVITIES, BUT LOCATION AND ORIENTATION MAY DIFFER FROM PRINT.
- TOLERANCE NON-CUMULATIVE
- DIMENSIONS IN BRACKETS ARE IN INCHES.
- OPTIONAL CONSTRUCTION MAY DELETE THIS RIB.
- FLAMMABILITY V2 FOR THICKNESS 0.38mm, 1.5mm, and 3.0mm PER IEC 60695-11-10.
- GLOW-WIRE FLAMMABILITY (GWFI) 800°C FOR THICKNESS 0.38mm AND 0.75mm PER IEC 60695-2-12.
- GLOW-WIRE FLAMMABILITY (GWFI) 960°C FOR THICKNESS 1.5mm AND 3.0mm PER IEC 60695-2-12.
- GLOW-WIRE IGNITION (GWIT) 825°C FOR THICKNESS 0.38mm, 0.75mm, 1.5mm AND 3.0mm PER IEC 60695-2-13.
- DIMENSIONS SHOWN REPRESENT PRODUCT IN DRY CONDITION. ADDITIONAL 2% GROWTH DUE TO END USE LOCATION MOISTURE ABSORPTION MAY OCCUR AND SHOULD BE ACCOUNTED FOR.



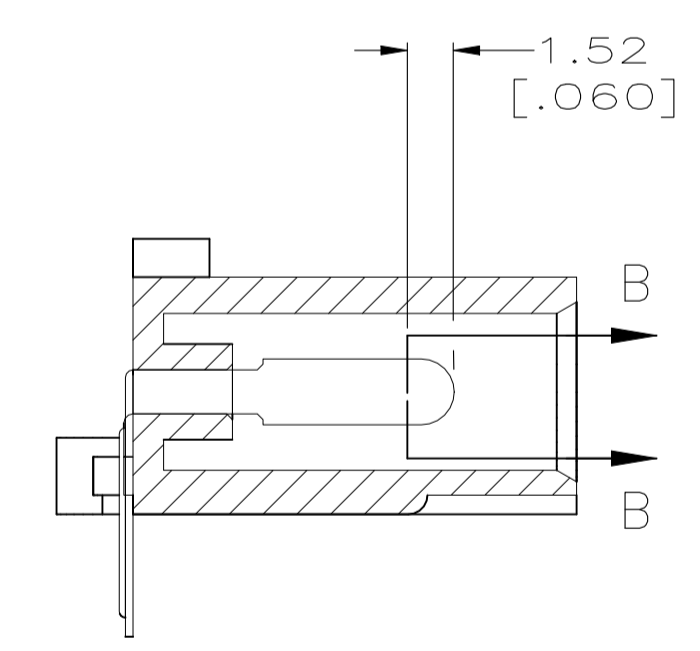
SECTION B-B  
SCALE 10:1



3-DIMENSIONAL MODEL  
NTS



RECOMMENDED MOUNTING HOLE PATTERN  
FOR .062 [1.57] THICK P.C. BOARD



SECTION A-A

THIS DRAWING IS A CONTROLLED DOCUMENT.

DIMENSIONS:	TOLERANCES UNLESS OTHERWISE SPECIFIED:
mm [INCHES]	
0. PLC	± -
1. PLC	± -
2. PLC	± -
3. PLC	± 0.13 [.005]
4. PLC	± -
5. PLC	± -
ANGLES	± 0.30°
MATERIAL	FINISH
SEE TABLE	SEE TABLE

PH BRZ TIN	NYLON, UL94V-2	1586898-1
CONTACT	HOUSING	PART NO
<b>STE</b> TE Connectivity		
DIN K WHITAKER 14MAR2008	APPRO D COLEY 14MAR2008	NAME
APPRO D COLEY 14MAR2008	PRODUCT SPEC	PIN HEADER ASSEMBLY, RIGHT ANGLE MOUNT, 5 POSITION, UNIVERSAL MATE-N-LOK (TM)
APPLICATION SPEC	SIZE	CAGE CODE
WEIGHT 0.000000	A1 00779	DRAWING NO C=1586898
CUSTOMER DRAWING	SCALE 4:1	SHEET 1 OF 1 REV B1

单击下面可查看定价，库存，交付和生命周期等信息

[>>TE Connectivity\(泰科\)](#)