

THIS DRAWING IS UNPUBLISHED.

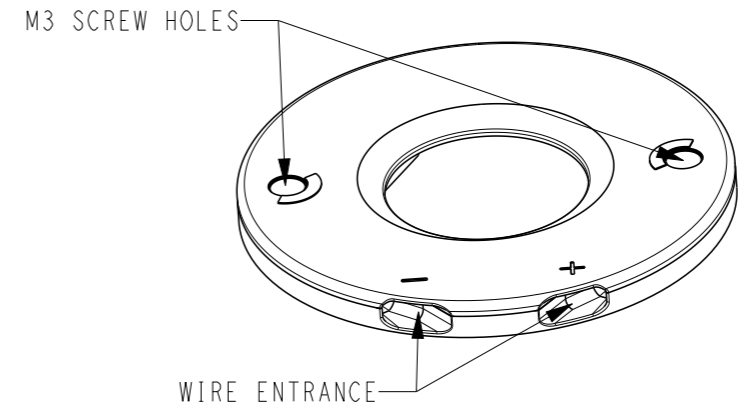
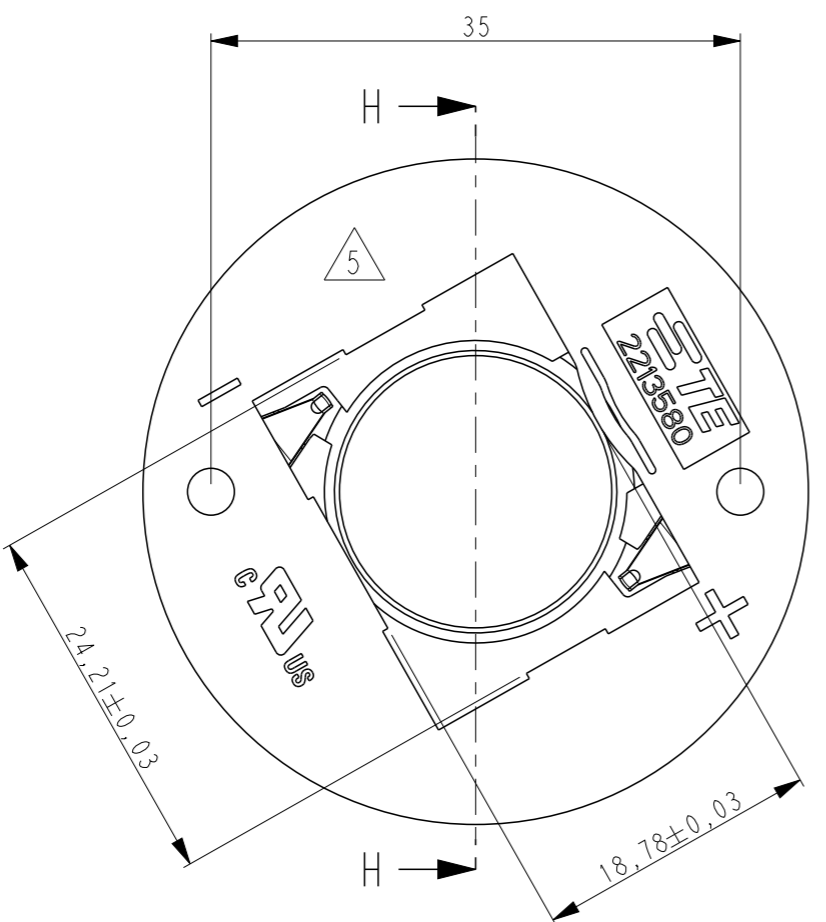
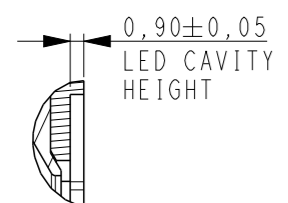
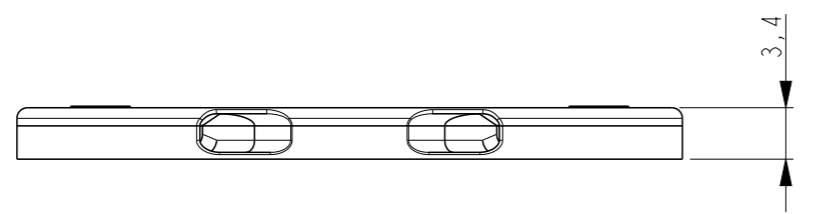
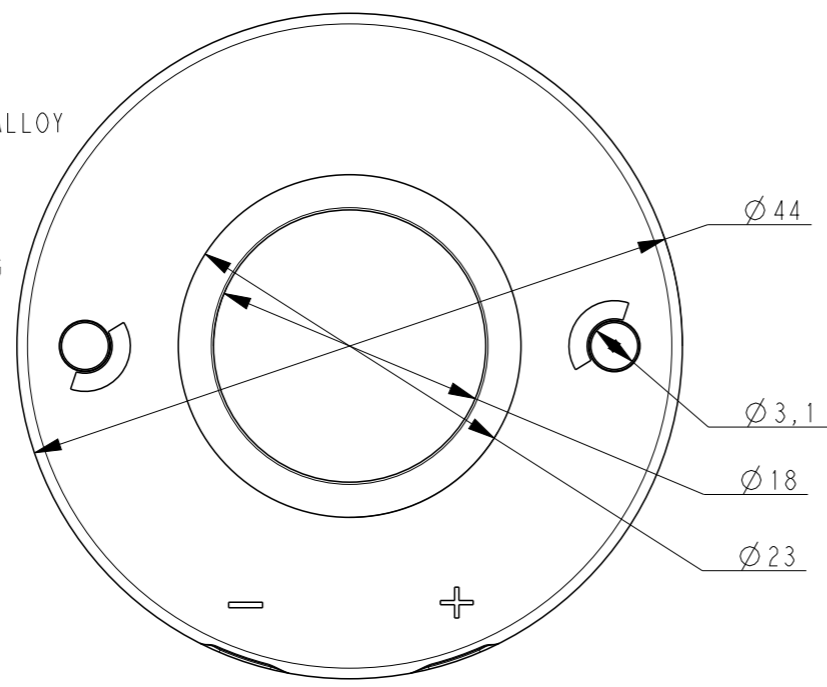
RELEASED FOR PUBLICATION

© COPYRIGHT - BY TYCO ELECTRONICS CORPORATION. ALL RIGHTS RESERVED.

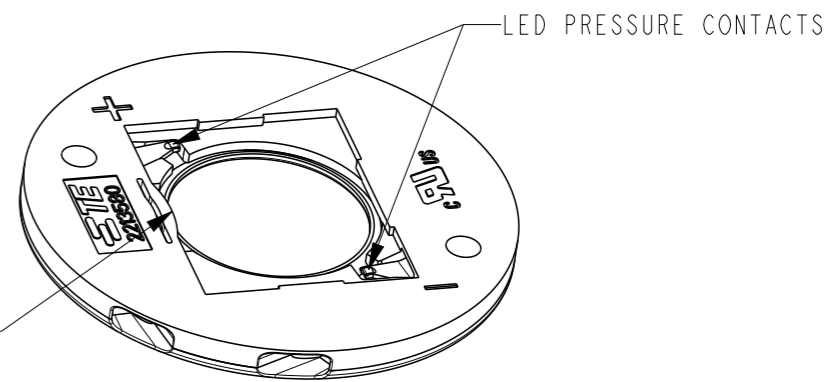
LOC	DIST	REVISIONS			
P	LTR	DESCRIPTION	DATE	DWN	APVD
H	-	B	ADDED RELEASED LED	06FEB2017	KR MvE
		C	REVISED PER ECR-17-005513	04APR2017	SK MVE
		C1	REVISED PER ECR-17-016356	07NOV2017	RK OL
		C2	REVISED PER ECR-19-017764	21NOV2019	SB DD

NOTES:

- MATERIALS:  
HOUSING: GLASS FILLED PBT,  
HALOGEN FREE FLAME RETARDANT,  
COLOR : NATURAL/WHITE  
CONTACTS: SILVER PLATED COPPER ALLOY
- FOR SOLID AND STRANDED WIRE  
AWG 22-18
- COMPLIES WITH  
DIRECTIVE 2002/95/EC (ROHS)
- M3 SCREW TO BE USED FOR MOUNTING
- DATE CODE YY-WW-D ANY WHERE  
EXCEPT OVER LOGO OR +/- SIGN.
- FOR COB-TO-HOLDER CROSS  
REFERENCE, REFER TO APPLICATION  
SPECIFICATION 114-32208



SCALE 3:2



2213580-1 AS SHOWN  
LUMAWISE LED HOLDER Z50 LOW PROFILE

LUMAWISE LED HOLDER Z50 STANDARD PROFILE 1924	2213580-2
LUMAWISE LED HOLDER Z50 LOW PROFILE 1924	2213580-1
DESCRIPTION	PART NO

THIS DRAWING IS A CONTROLLED DOCUMENT. DIMENSIONING AND TOLERANCING PER ASME Y14.5M-2009.		DWN M.V.ESSEN 3 NOV '14	<b>TE Connectivity</b>											
DIMENSIONS: mm		CHK C.V.STEENDEREN 6 NOV '14												
TOLERANCES UNLESS OTHERWISE SPECIFIED:		APVD O.IEIJNSE 7 NOV '14												
<table border="0"> <tr><td>0 PLC</td><td>±-</td></tr> <tr><td>1 PLC</td><td>±-</td></tr> <tr><td>2 PLC</td><td>±-</td></tr> <tr><td>3 PLC</td><td>±-</td></tr> <tr><td>4 PLC</td><td>±-</td></tr> <tr><td>ANGLES</td><td>±-</td></tr> </table>		0 PLC			±-	1 PLC	±-	2 PLC	±-	3 PLC	±-	4 PLC	±-	ANGLES
0 PLC	±-													
1 PLC	±-													
2 PLC	±-													
3 PLC	±-													
4 PLC	±-													
ANGLES	±-													
MATERIAL	FINISH	APPLICATION SPEC 114-32048	NAME LUMAWISE LED HOLDER Z50 1924	RESTRICTED TO										
		WEIGHT	SIZE A3	CAGE CODE 00779										
		Customer Drawing	DRAWING NO C-2213580											
			SCALE 2:1	SHEET 1 OF 3										
			REV C2											

4

3

2

1

THIS DRAWING IS UNPUBLISHED.

RELEASED FOR PUBLICATION

© COPYRIGHT - BY TYCO ELECTRONICS CORPORATION. ALL RIGHTS RESERVED.

LOC	DIST	REVISIONS					
H	-	P	LTR	DESCRIPTION	DATE	DWN	APVD
			-	SEE SHEET 1	-	-	-

Top view of the LED holder showing dimensions and features:

- Overall diameter:  $\varnothing 50$
- Inner diameter:  $\varnothing 36$
- Outer diameter of inner ring:  $\varnothing 28,4$
- Inner diameter of inner ring:  $\varnothing 23$
- Inner diameter of LED cavity:  $\varnothing 18$
- Inner diameter of OCA:  $\varnothing 3,1$
- Distance from center to OCA hole: 7
- Distance from center to LED cavity hole: 28
- LED cavity height:  $0,90 \pm 0,05$
- OCA height: 3,5

Side view of the LED holder showing M3 screw holes and wire entrance.

M3 SCREW HOLES

WIRE ENTRANCE

SCALE 3:2

Bottom view of the LED holder showing LED pressure contacts and LED clamping feature.

LED PRESSURE CONTACTS


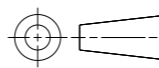
LED CLAMPING FEATURE

2213580-2 AS SHOWN  
LUMAWISE LED HOLDER Z50 STANDARD PROFILE

SECTION H-H

Dimensions and features for Section H-H:

- Section width: 35
- Section height: 6
- Section H-H length: 24,21  $\pm 0,03$
- Section H-H offset: 18,78  $\pm 0,03$
- Section H-H angle: 5

THIS DRAWING IS A CONTROLLED DOCUMENT.		DWN	M.V.ESSSEN	3 NOV '14	 TE Connectivity	NAME		LUMAWISE LED HOLDER Z50 1924												
DIMENSIONS:		CHK	C.V.STEENDEREN	6 NOV '14		PRODUCT SPEC		108-133008	RESTRICTED TO											
mm		APVD	O.I.FIJNSE	7 NOV '14		APPLICATION SPEC		114-32048	-											
		TOLERANCES UNLESS OTHERWISE SPECIFIED:		WEIGHT		-	-													
MATERIAL		FINISH		-		SIZE		A3	CAGE CODE	00779	DRAWING NO	C-2213580	SCALE	2:1	SHEET	2	OF	3	REV	C2
-		-		-		Customer Drawing		-		-		-		-		-		-		

1470-19 (3/11)

Downloaded From [Onevac.com](http://Onevac.com)

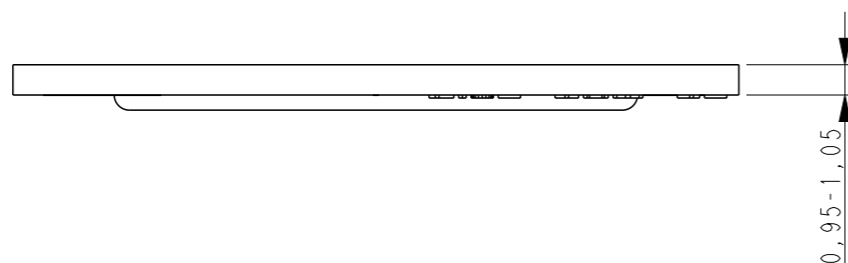
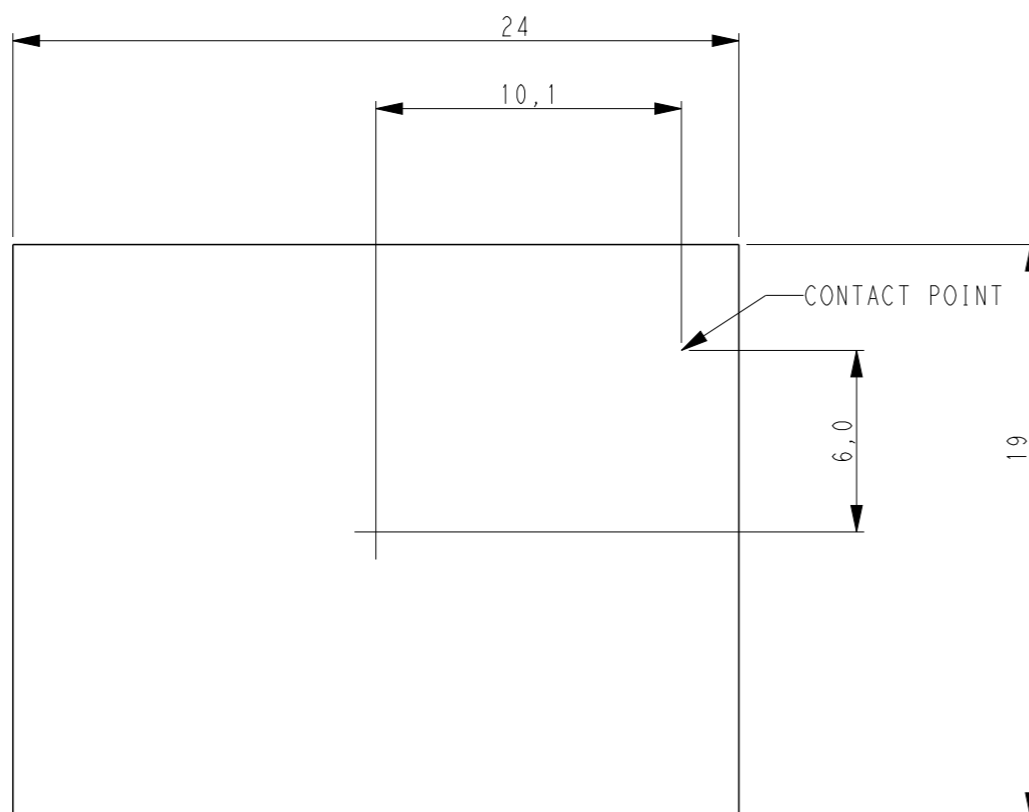
THIS DRAWING IS UNPUBLISHED.


RELEASED FOR PUBLICATION

© COPYRIGHT - BY TYCO ELECTRONICS CORPORATION. ALL RIGHTS RESERVED.

LOC	DIST	REVISIONS					
H	-	P	LTR	DESCRIPTION	DATE	DWN	APVD
			-	SEE SHEET 1	-	-	-

THE SKETCH BELOW IS SHOWING THE NOMINAL LED COB DIMENSIONS TO MATCH WITH THE LUMAWISE LED HOLDER Z50 1924. FOR TECHNICAL DETAILS ABOUT A PROPER MATCH WITH A SPECIFIC LED COB ARRAY PLEASE CONTACT A REPRESENTATIVE AT TE-CONNECTIVITY.



THIS DRAWING IS A CONTROLLED DOCUMENT.		DWN M.V.ESSSEN 3 NOV '14	 TE Connectivity	
DIMENSIONS: mm		CHK C.V.STEENDEREN 6 NOV '14		
TOLERANCES UNLESS OTHERWISE SPECIFIED:		APVD O.IEIJNSE 7 NOV '14	NAME LUMAWISE LED HOLDER Z50 1924	
0 PLC ±- 1 PLC ±- 2 PLC ±- 3 PLC ±- 4 PLC ±- ANGLES ±-		PRODUCT SPEC 108-133008	RESTRICTED TO	
MATERIAL -		APPLICATION SPEC 114-32048	SIZE A3	CAGE CODE 00779
FINISH -		WEIGHT -	DRAWING NO C-2213580	SCALE 2:1
Customer Drawing			SHEET 3	OF 3
			REV C2	

单击下面可查看定价，库存，交付和生命周期等信息

[>>TE Connectivity\(泰科\)](#)