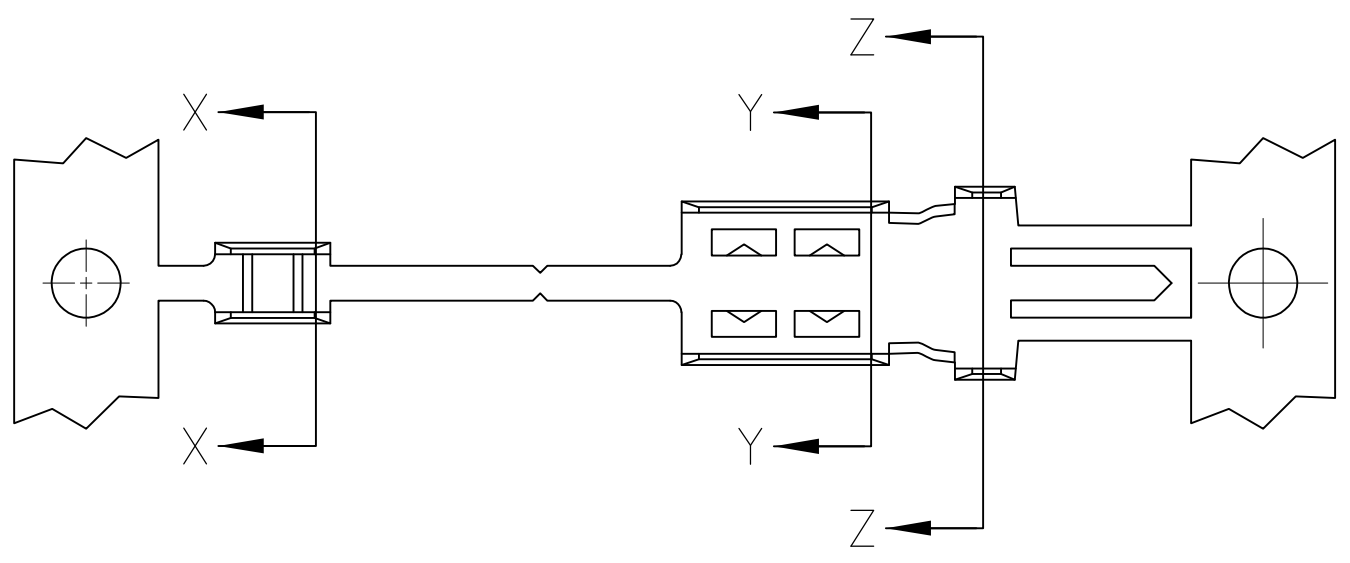
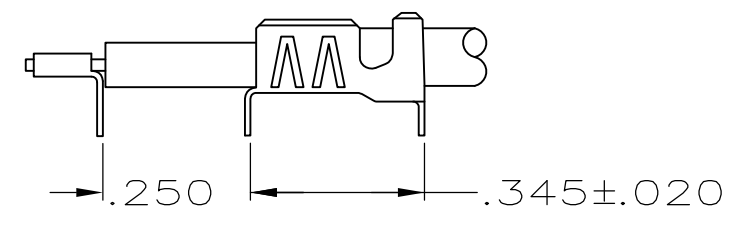
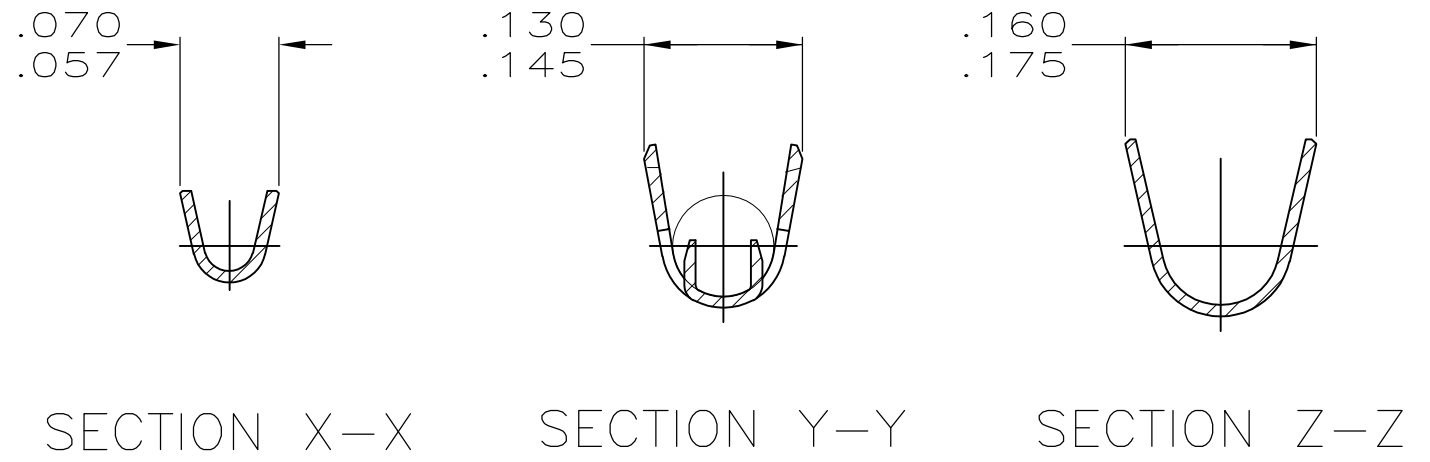
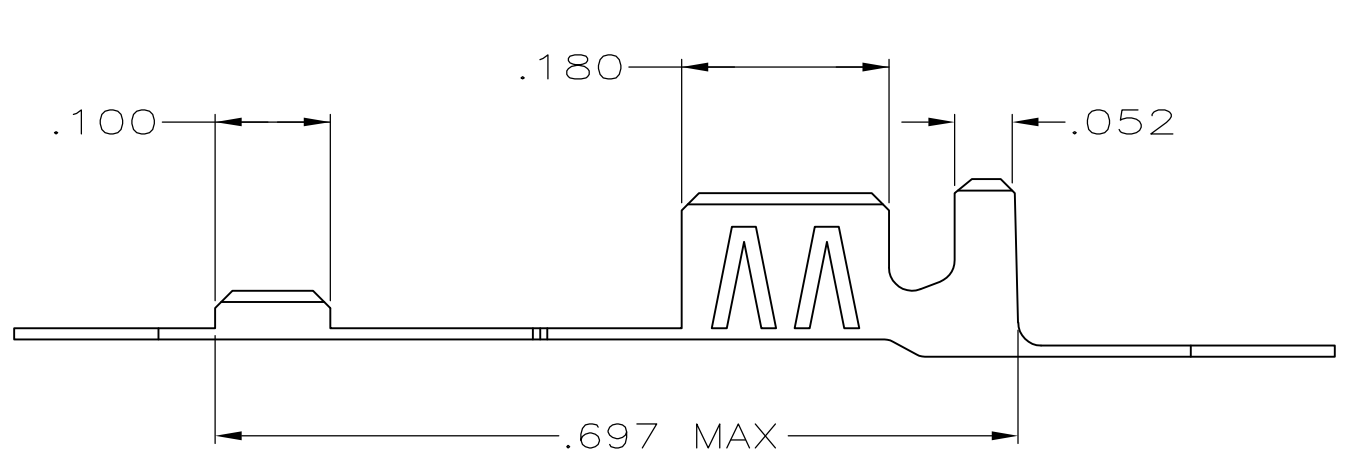


THIS DRAWING IS UNPUBLISHED. RELEASED FOR PUBLICATION
 © COPYRIGHT - By - ALL RIGHTS RESERVED.

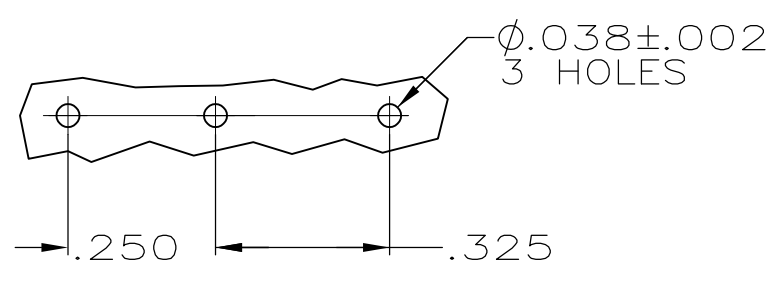
LOC	DIST	REVISIONS			
P	LTR	DESCRIPTION	DATE	DWN	APVD
AJ	16	L1	REVISED PER ECO-11-005030	11MAR11	RK HMR



1. ACCEPTS COAX CABLE WITH .095-.110 O.D. JACKETS, .055-.065 DIELECTRIC O.D., AND #26-#28 CENTER CONDUCTOR.
2. TIN-LEAD PLATE PER MIL-P-81728 OVER NICKEL PLATE PER QQ-N-290.
3. TIN PLATE PER ASTM B 545 OVER NICKEL PLATE PER QQ-N-290.
4. INSTRUCTION SHEET NO.: 408-2472-2.



3	9-226177-0
2	226177-2
FINISH	PART NUMBER



P.C. BOARD LAYOUT

THIS DRAWING IS A CONTROLLED DOCUMENT.		DWN M. O'BRINE 18FEB00	TE Connectivity		
DIMENSIONS: INCHES		CHK J. LIPPERT 18FEB00			
TOLERANCES UNLESS OTHERWISE SPECIFIED:		APVD J. LIPPERT 18FEB00	TERMINAL, PCB, COAXIAL, BRAID-PIC		
0 PLC ± -		PRODUCT SPEC	SIZE		
1 PLC ± -		APPLICATION SPEC	CAGE CODE		
2 PLC ± -		—	DRAWING NO		
3 PLC ± .008		—	RESTRICTED TO		
4 PLC ± -		—	A3 00779 C-226177		
ANGLES ± -		—	SCALE 6:1		
FINISH		WEIGHT -	SHEET 1 OF 1		
MATERIAL BRASS MIL-C-50		CUSTOMER DRAWING	REV L1		

单击下面可查看定价，库存，交付和生命周期等信息

[>>TE Connectivity\(泰科\)](#)