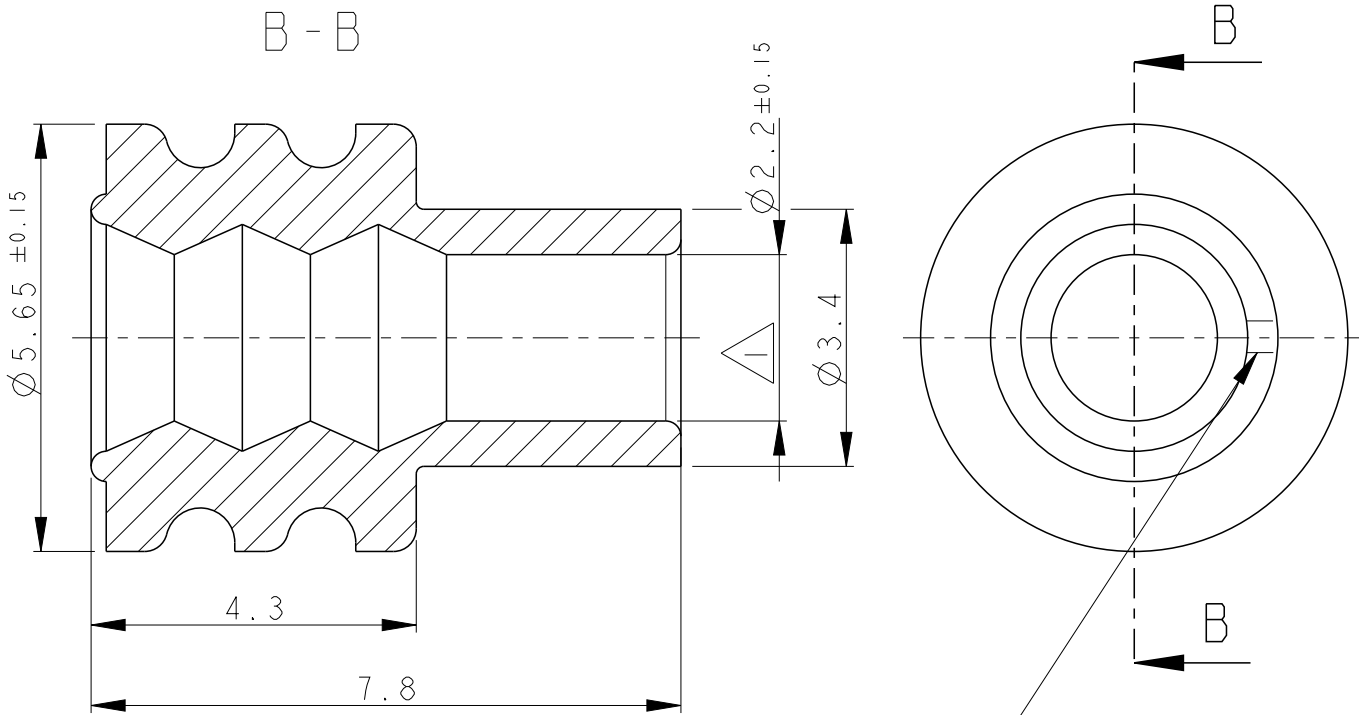
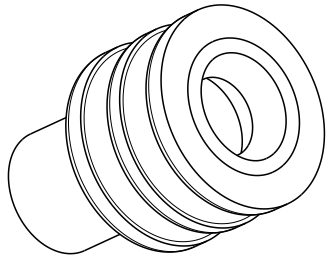


REVISIONS					
P	LTR	DESCRIPTION	DATE	DWN	APVD
	E4	REVISED (ECR-15-003702)	09MAR2015	M.G.	M.G.




OPTIONAL INTERRUPTED

 DEDICATED FOR INSULATION DIA:
 2.7-3.0mm (FLR CABLE - WIRE SIZE 2.5mm²)
 2.7-3.04mm (ALUMINIUM WIRE ONLY - WIRE SIZE 2.5mm²)



YELLOW	SILICONE 50° SHORE A INHERENTLY LUBRICATED	963292-1
COLOR	MATERIAL	PART Nr.

2000
 RELEASED FOR PUBLICATION
 ALL RIGHTS RESERVED.
 BY -
 COPYRIGHT 2000

DIMENSIONS: mm	DWN R. Schaefer	16-Apr-96	MATERIAL	SEE TABLE	FINISH	SEE TABLE
	CHK U. Muenk	16-Apr-96	 TE Connectivity			
TOLERANCES UNLESS OTHERWISE SPECIFIED:	APVD	-				
0 PLC ±0.2	PRODUCT SPEC	-	NAME SINGLE WIRE SEAL			
1 PLC ±0.2	APPLICATION SPEC	-	SIZE	CAGE CODE	DRAWING NO	RESTRICTED TO
2 PLC ±			A4	00779	C=963292	-
3 PLC ±-	WEIGHT	0.1 gr	Customer Drawing			
4 PLC ±-			SCALE	10:1	SHEET	1 OF 1
ANGLES ±1°					REV	E4

单击下面可查看定价，库存，交付和生命周期等信息

[>>TE Connectivity\(泰科\)](#)