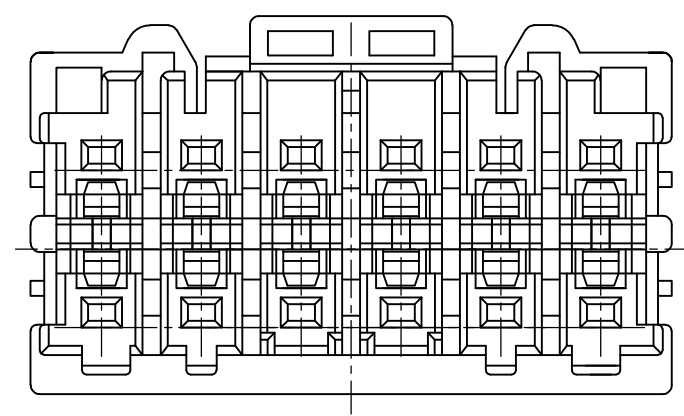
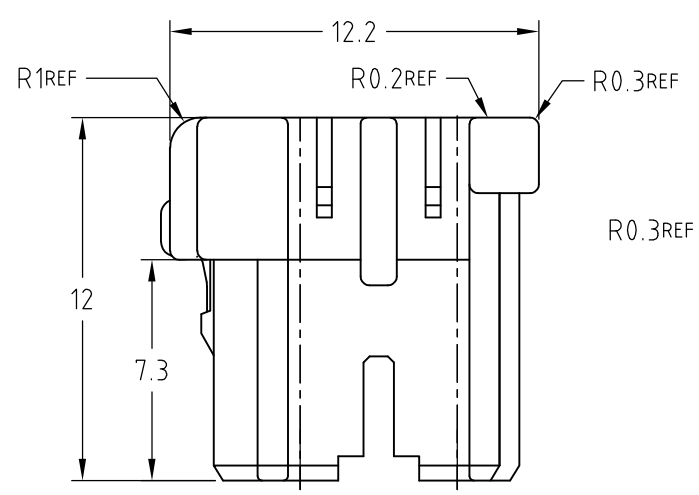
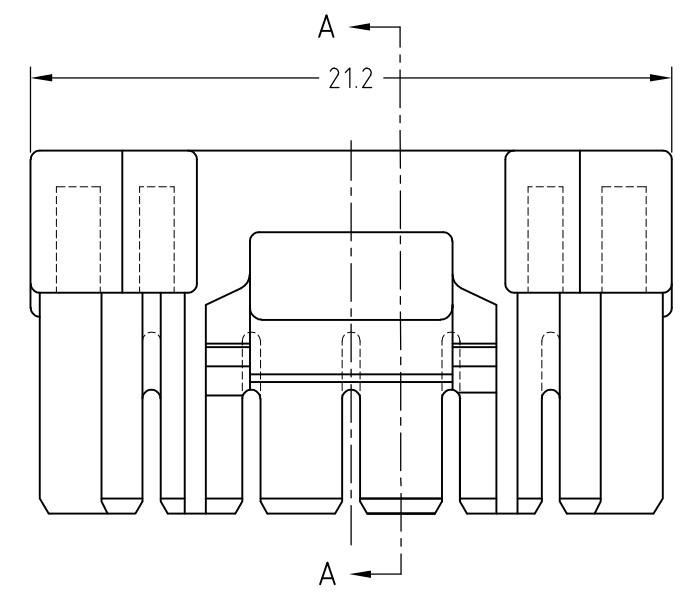
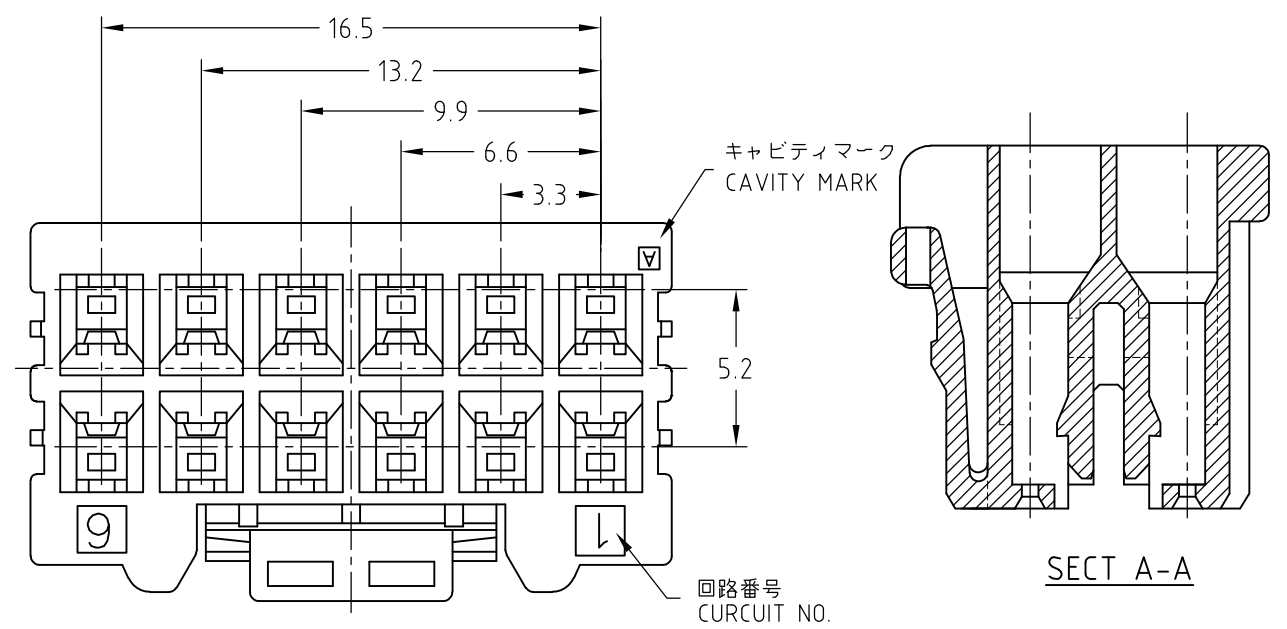
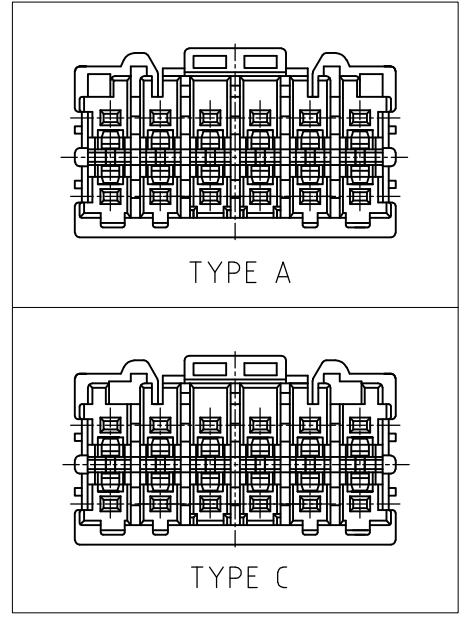


THIS DRAWING IS UNPUBLISHED. RELEASED FOR PUBLICATION  
 © COPYRIGHT BY TYCO ELECTRONICS CORPORATION. ALL RIGHTS RESERVED.

LOC	DIST	REVISIONS					
J	—	P	LTR	DESCRIPTION	DATE	DWN	APVD
			B1	REVISED PER ECR-10-019980	04OCT10	HMR	TM



TYPE OF KEYING



TABLE

プラグハウジング (PLUG HOUSING)	6/6ナイロンガラス強化UL94V-0 (6/6 NYLON GRASS FILLED) UL94V-0
名称 (NAME)	材料 (MATERIAL)

注

△ かん合相手製品型番：  
 ヘッダーアッセンブリ：SEE TABLE  
 リセコンタクト：1827395-1

NOTES

△ MATING CONN.P/N  
 HEADER ASSEMBLY:SEE TABLE  
 REC CONTACT:1827395-1

2-1871571-3	C	BLUE	2-1871570-3
* -1871571-1	A	NATURAL	1871570-1
MATING CONN.P/N △	TYPE OF KEYING	COLOR	PART NUMBER

THIS DRAWING IS A CONTROLLED DOCUMENT.		DWN T.HATANO 22FEB2006	Tyco Electronics AMP K.K. Kawasaki, Japan	
DIMENSIONS: 単位: 耗 mm		CHK N.YAMASAKI 22FEB2006		
TOLERANCES UNLESS OTHERWISE SPECIFIED: 一般公差		APVD N.YAMASAKI 22FEB2006	NAME 名称	
0 PLC ± 0.3		PRODUCT SPEC 製品規格 108-78231	GRACE INERTIA CONNECTOR 3.3 PLUG HOUSING 12POS 2ROW	
1 PLC ± 0.3		APPLICATION SPEC 取付適用規格 114-5372	SIZE A3	CAGE CODE 00779
2 PLC ± 0.3		WEIGHT -	DRAWING NO 番号 G-1871570	RESTRICTED TO -
3 PLC ±		CUSTOMER DRAWING	SCALE 尺度 4:1	SHEET 1 OF 1
4 PLC ±			REV B1	
FINISH 仕上 -				
MATERIAL 材料 SEE TABLE				

单击下面可查看定价，库存，交付和生命周期等信息

[>>TE Connectivity\(泰科\)](#)