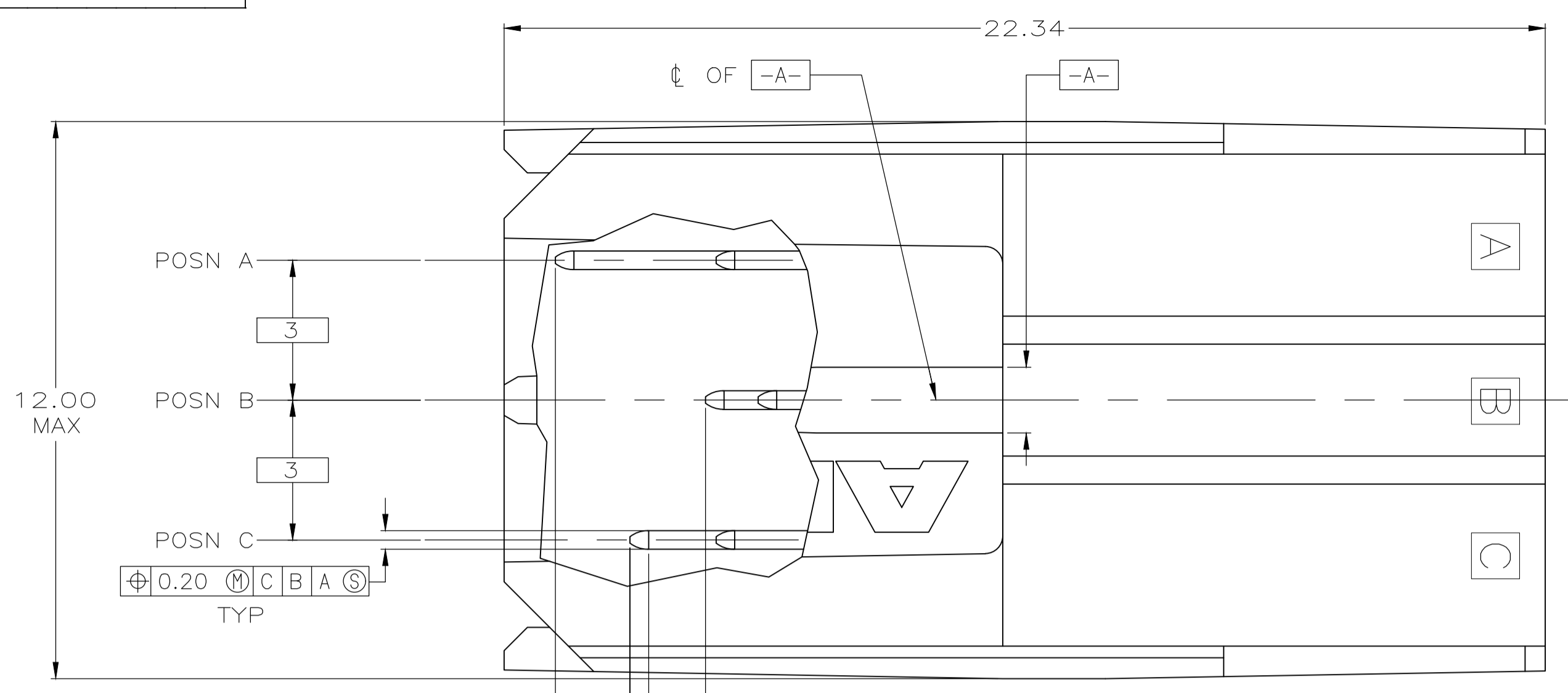
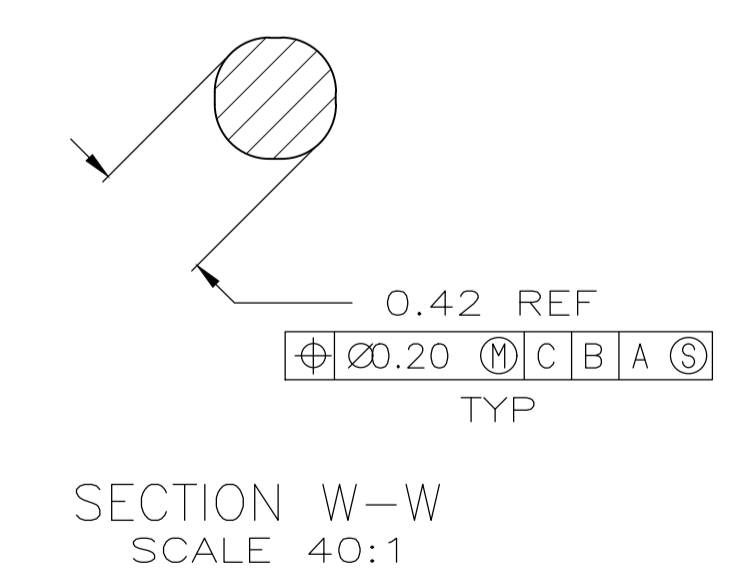
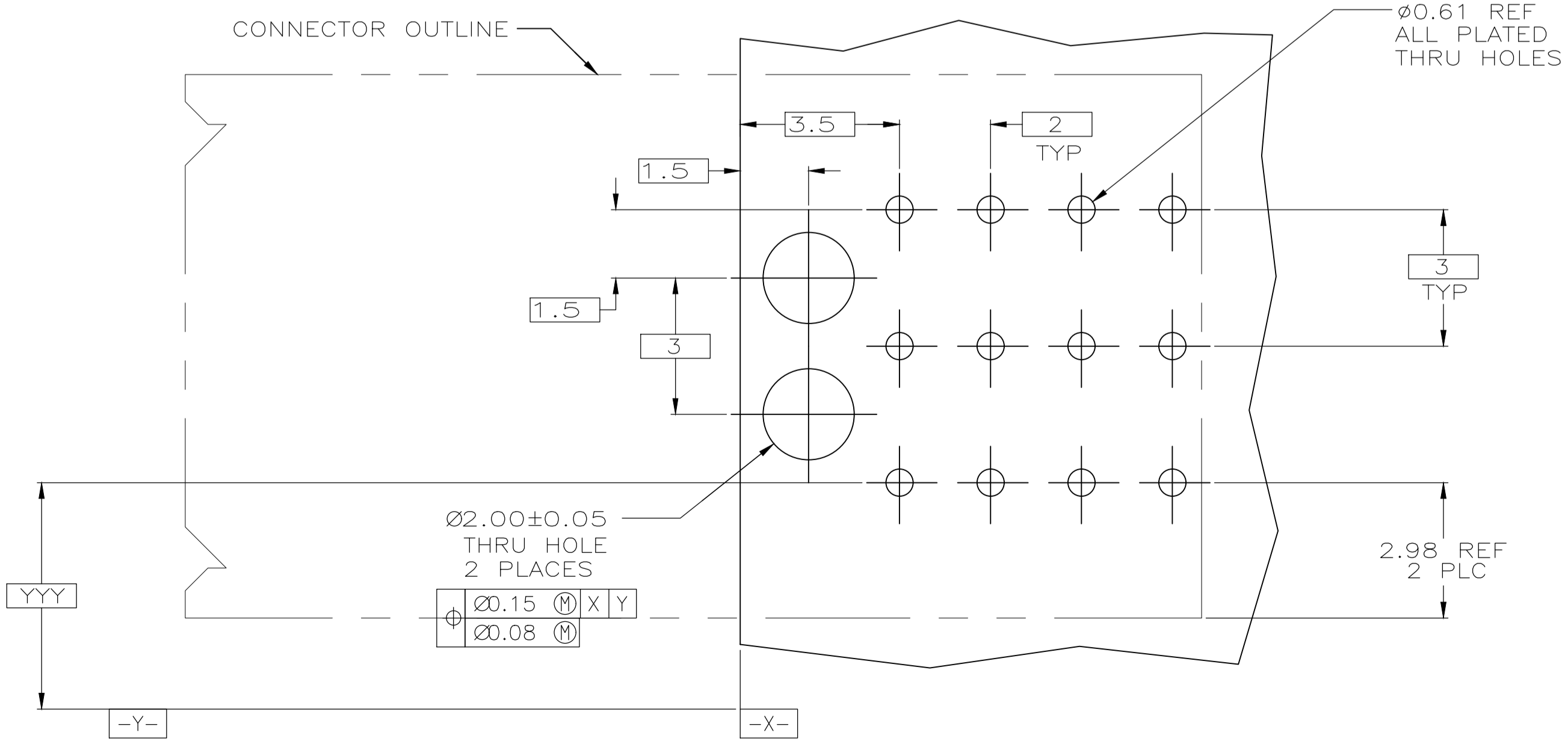
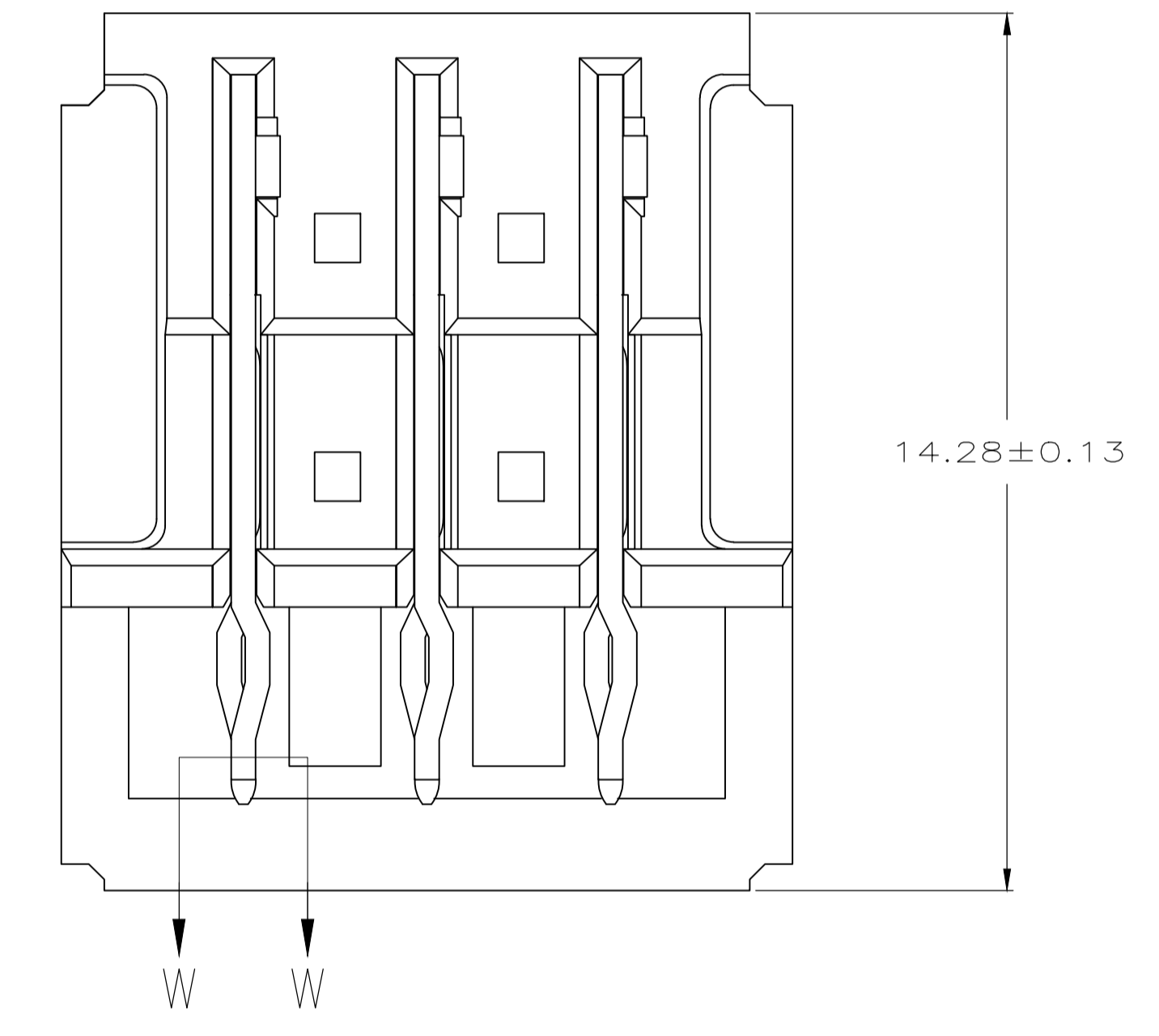
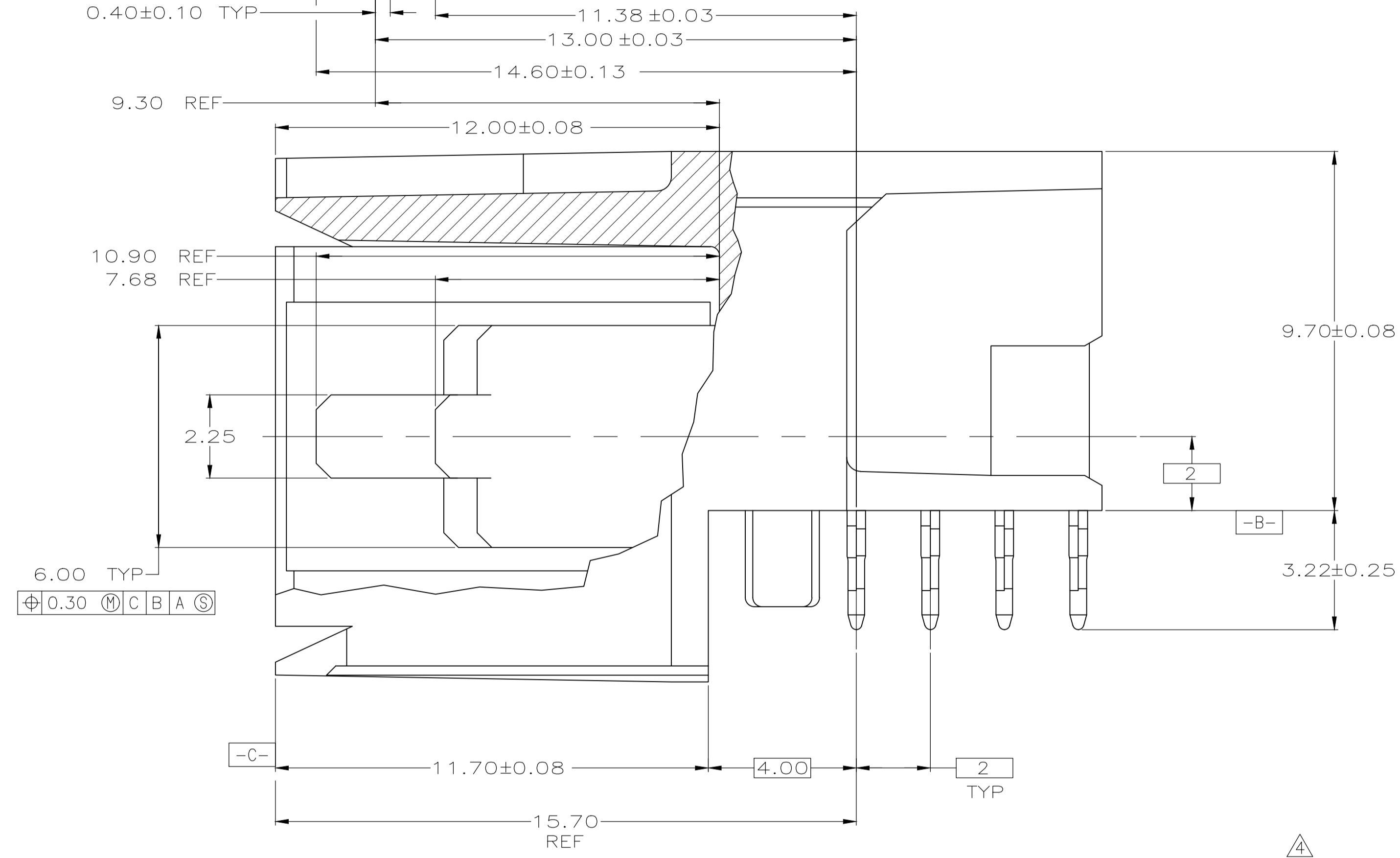
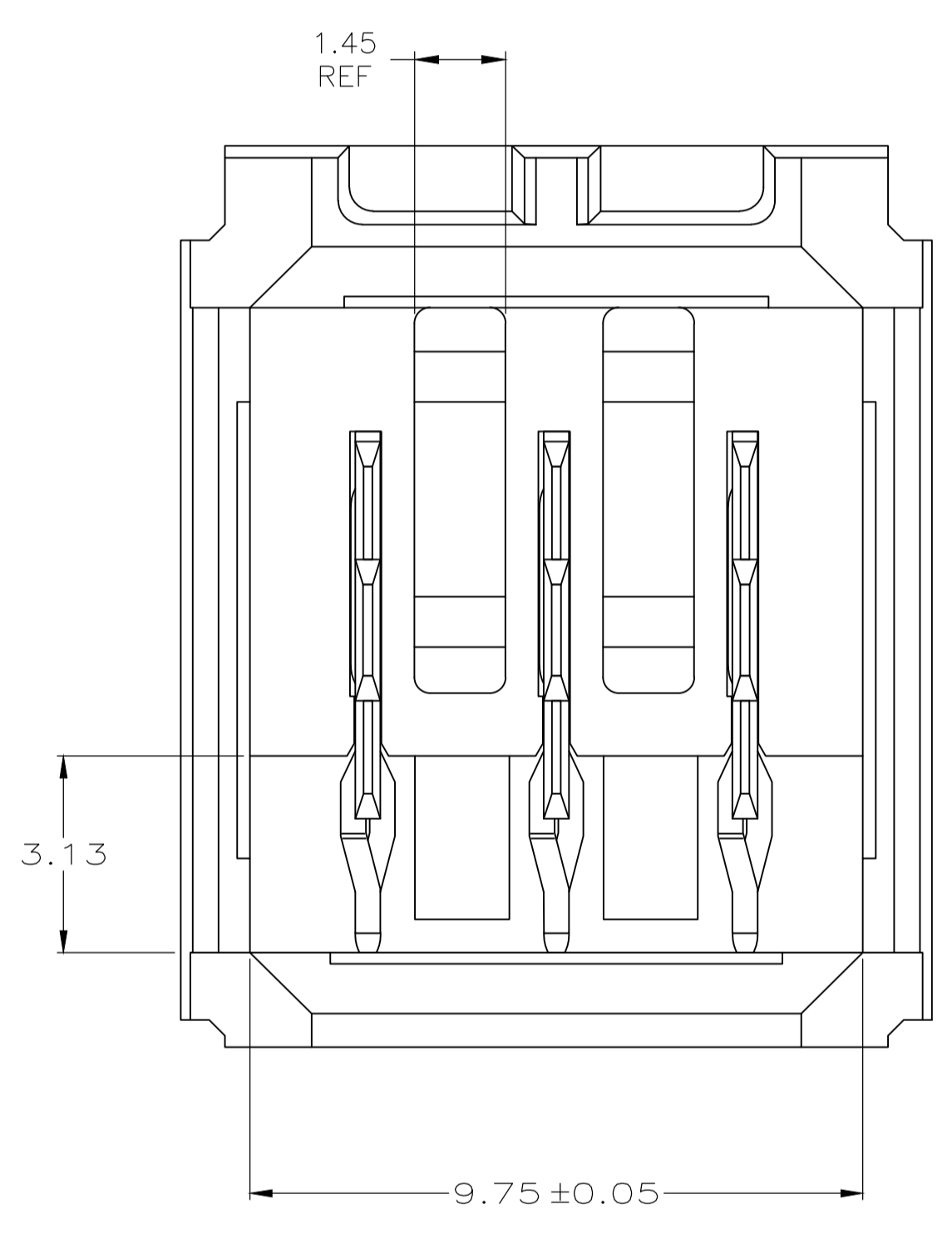


LOC		DIST		REVISIONS				
AD	00	REV	PER	ECO	NO	DATE	BY	APPROV
C1	REV PER ECO	20	004668			08JUN2020	ML	SZ



- 1 MATERIAL: HOUSING: POLYESTER. COLOR: GRAY. UL 94V-0. CONTACT: PHOSPHOR BRONZE.
- 2 FINISH: IN ACCORDANCE WITH PRODUCT SPECIFICATION 108-1651. GOLD PLATING OR EQUIVALENT PLATING ON PRODUCT CONTACT MATING AREA, AND MATTE TIN PLATING ON COMPLIANT PIN AREA, ALL OVER MATTE NICKEL UNDERPLATED. DETAIL PLEASE REFER TO PRODUCT SPECIFICATION 108-1651.
- 3 FINISH: CONTACT LUBRICATION WITH BELLCORE APPROVED LUBRICANT. TECHNICAL REFERENCE: TR-NWT-001217 ISSUE 1, SEPT 1992.
- 4 REFERENCE APPLICATION SPEC 114-1103 FOR RECOMMENDED PLATED THRU HOLE DIAMETER AND PLATING THICKNESS.
- 5 CURRENT RATING 10A/CONTACT PER PRODUCT SPEC 108-1651.



5223971-1
PART NUMBER

THIS DRAWING IS A CONTROLLED DOCUMENT.		DIN: B. CARBO 130EC04	Tyco Electronics Corporation Harrisburg, PA 17105-3608
DIMENSIONS: mm		CHK: R. PATTERSON 130EC04	
TOLERANCES UNLESS OTHERWISE SPECIFIED:		NAME: R. PATTERSON 130EC04	ASSEMBLY, RIGHT ANGLE HEADER, W/ RETENTION PEGS, UNIVERSAL POWER MODULE
0. PLC ± -	1. PLC ± -	PRODUCT SPEC: 108-1651	SIZE: A1
2. PLC ± 0.13	3. PLC ± 0.13	APPLICATION SPEC: 114-1103	SCALE: 10:1
4. PLC ± -	ANGLES ± -	WEIGHT: -	SHEET 1 OF 1
MATERIAL: 1	FINISH: 2, 3	CUSTOMER DRAWING	REV C1

单击下面可查看定价，库存，交付和生命周期等信息

[>>TE Connectivity\(泰科\)](#)