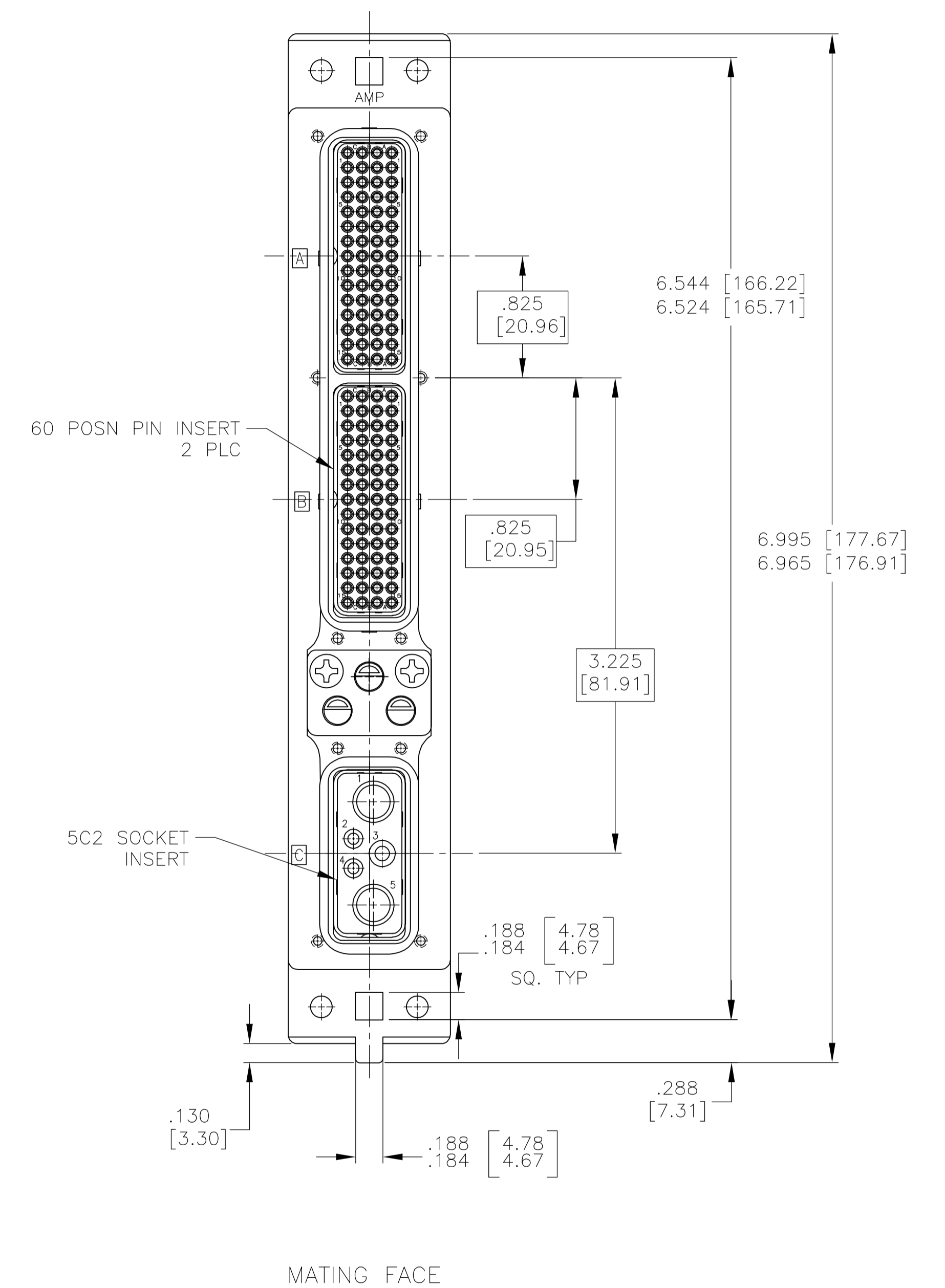
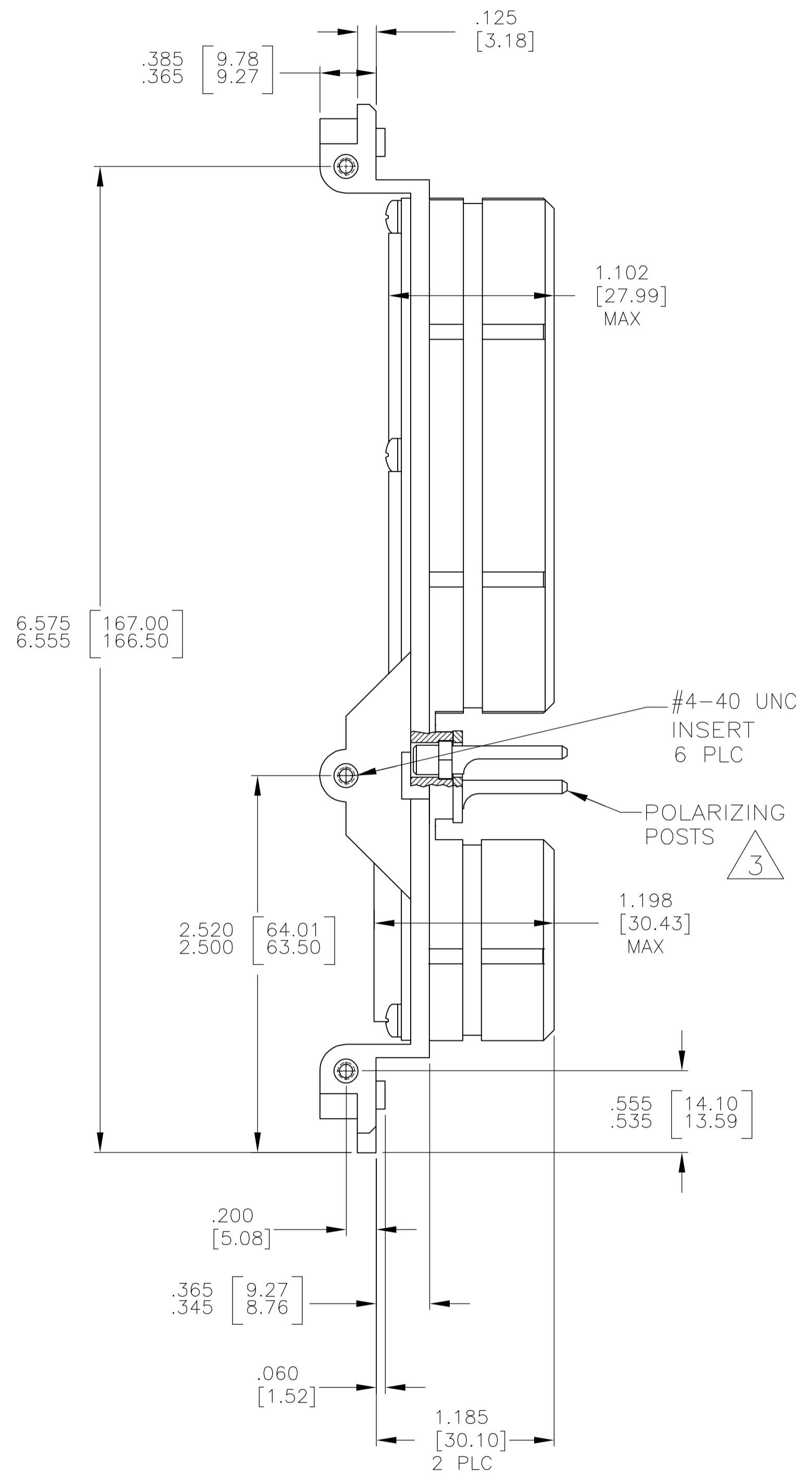
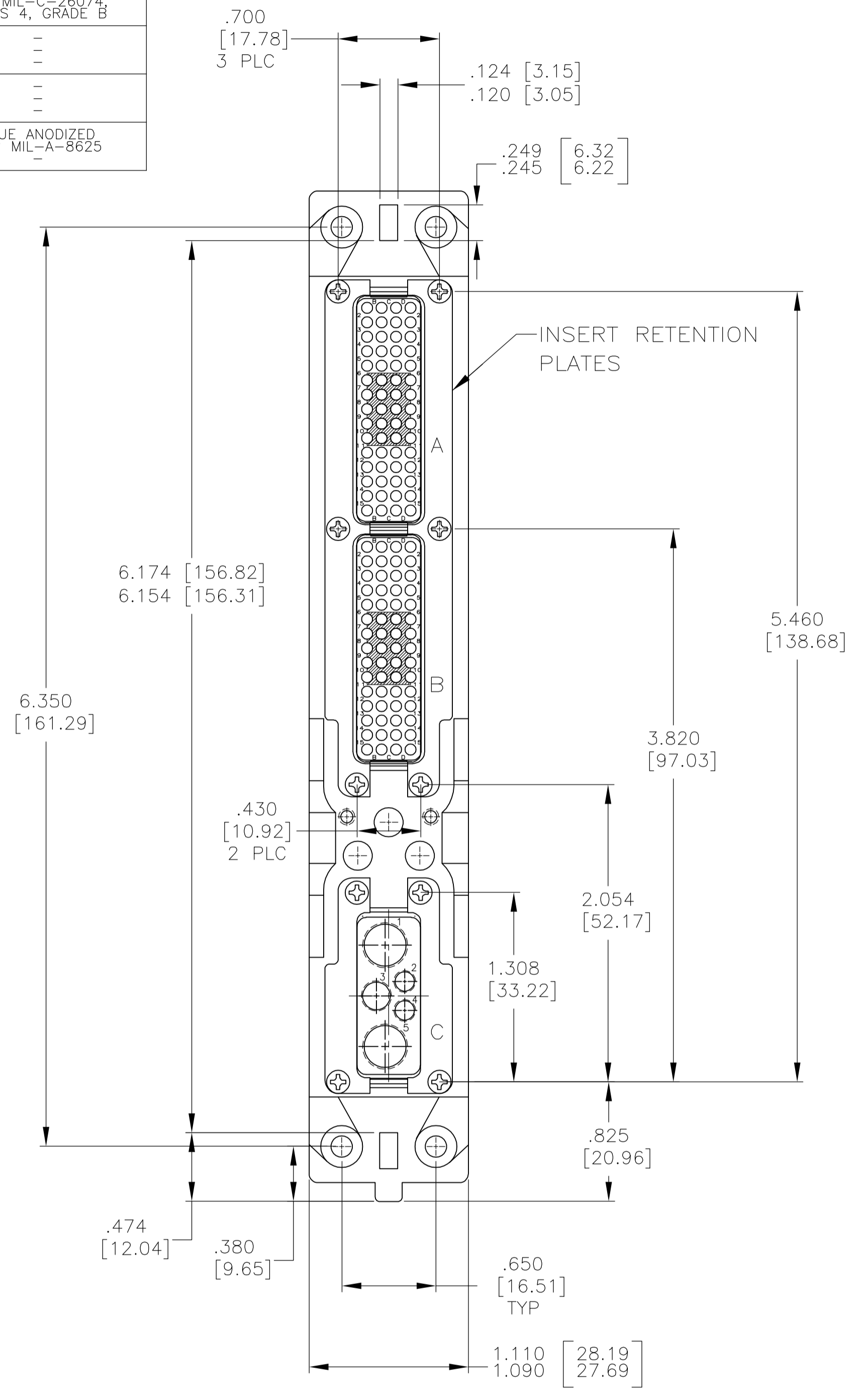


COMPONENT	MATERIAL	FINISH
SHELL	DIE CAST ALUMINUM PER ASTM-B-85	CHEMICAL COVERSION COATING PER MIL-C-5541, CLASS 1A
RETENTION PLATES	ALUMINUM ALLOY PER ASTM-B-209	CHEMICAL COVERSION COATING PER MIL-C-5541, CLASS 1A
SCREWS AND LOCKWASHERS	STEEL OR STAINLESS STEEL	CHROMATE OVER ZINC OR PASSIVATED
POLARIZING POSTS	ZINC ALLOY PER ASTM-B-86	ELECTROLESS NICKEL PER MIL-C-26074, CLASS 4, GRADE B
INSERTS	THERMOSET	-
FILLER PLUG	TEFLON	-
POLARIZING POST RETAINING PLATE	ALUMINUM ALLOY PER ASTM-B-209	BLUE ANODIZED PER MIL-A-8625

LOC	DIST	REVISIONS				
DF	AO	REV	DESCRIPTION	DATE	BY	APPV
		0	RELEASED	3-04	CT	SG



- CONNECTOR DIMENSIONS ARE PER ARINC 600 SPECIFICATION
  - FOLLOWING CONTACTS AND PLUGS ARE INCLUDED AND NOT LOADED:  
 SIZE 22 PIN: AMP P/N 208262-3; QTY: 120  
 SIZE 16 SOCKET: 208270-2, QTY: 2  
 SIZE 12 SOCKET: 208273-2, QTY: 1  
 SIZE 5 FILLER PLUG: 1484225-1, QTY: 1  
 SIZE 5 SOCKET: P/N 225791-2; QTY: 1
- KEYING SHOWN IN POSITION "01" FOR REFERENCE ONLY. SEE TABLE FOR KEYING POSITION. FOR POSITION "00" KEYING SHIPPED UNASSEMBLED.

"00"	1757076-1
KEYING POSITION	PART NUMBER

THIS DRAWING IS A CONTROLLED DOCUMENT.

DIMENSIONS: INCHES	TOLERANCES UNLESS OTHERWISE SPECIFIED:	DIN C.C.THOMAS 3-12-04	Tyco Electronics Corporation Harrisburg, Pa 17105-3608
0 PLC ± -	1 PLC ± -	3-15-04	
2 PLC ± -	3 PLC ± .005 [0.13]	APVD S. GLATFELTER	PLUG ASSY, SIZE 1, ARR 11, ARINC 600 (60/60/5C2)
4 PLC ± -	ANGLES ± -	PRODUCT SPEC	
MATERIAL SEE TABLE	FINISH SEE TABLE	APPLICATION SPEC	RESTRICTED TO
WEIGHT	SIZE	CAGE CODE	DRAWING NO
CUSTOMER DRAWING	A1	00779	1757076
SCALE 1.5:1	SHEET 1 OF 1	REV 0	

单击下面可查看定价，库存，交付和生命周期等信息

[>>TE Connectivity\(泰科\)](#)