

CODE 61 - TINEL-LOCK BACKSHELL

TXR61AB00-1608AI-S

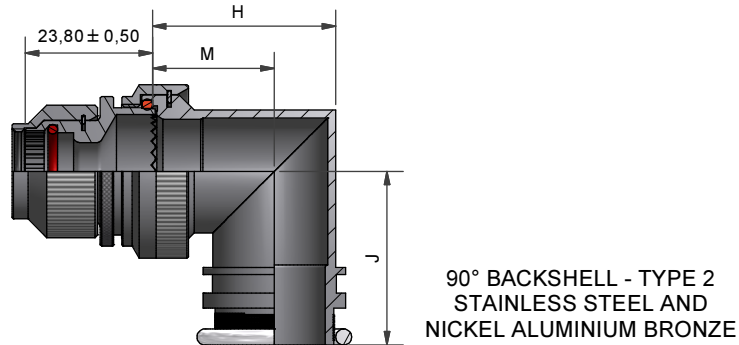
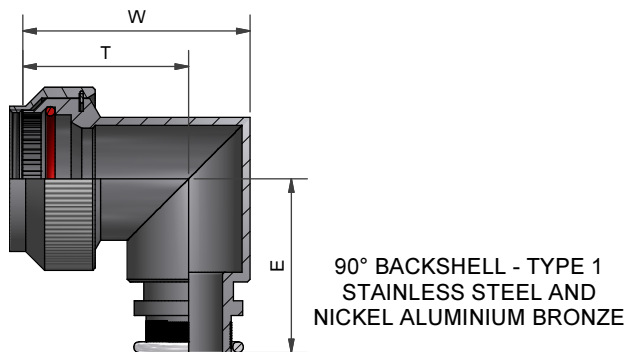
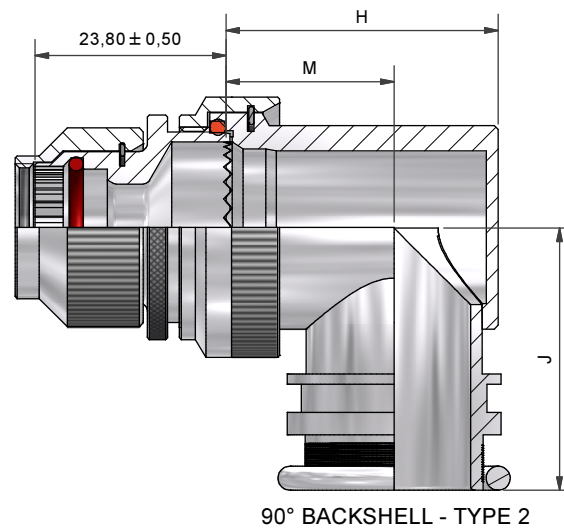
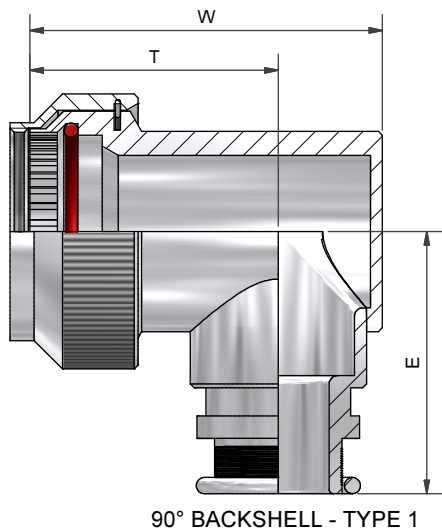
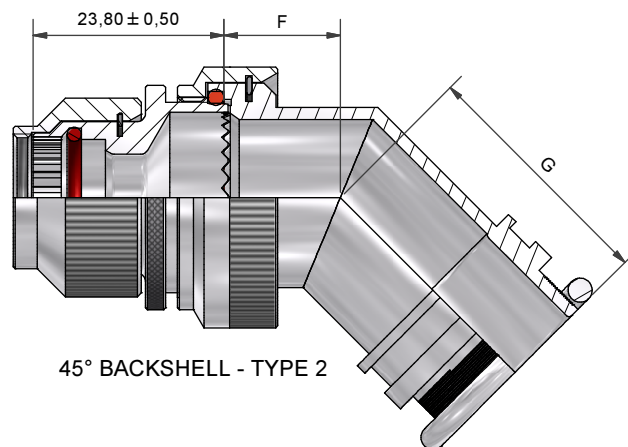
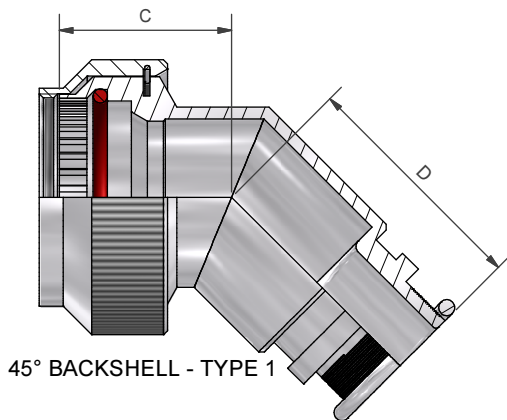
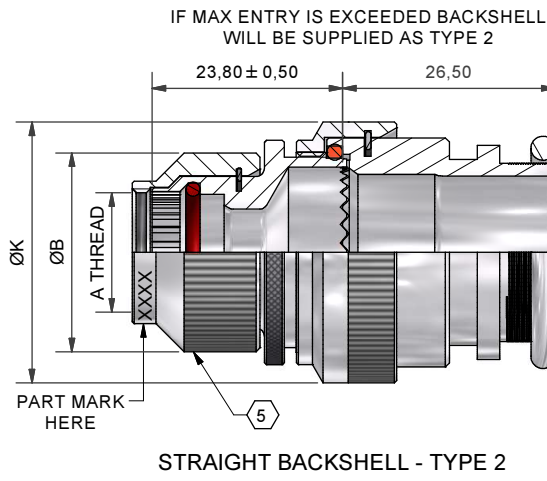
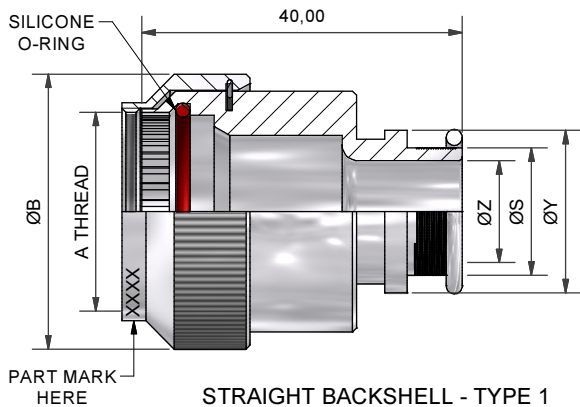
SERIES _____
 TXR: RING INCLUDED
 (SEE RING OPTION)
 TX: RING NOT INCLUDED
 CONNECTOR INTERFACE _____
 MATERIAL _____
 REFER TO CH00-0250-008
 FINISH _____
 REFER TO CH00-0250-008
 ANGLE _____
 ORDER NUMBER (TABLE 1) _____
 ENTRY SIZE (TABLE 2) _____
 RING OPTION _____
 AI - TO SUIT SINGLE BRAID
 BI - TO SUIT DOUBLE BRAID
 FOR TX, LEAVE BLANK
 MODIFICATION CODE _____
 REFER TO CH00-0250-008 (2)

NOTES:

- THIS PRODUCT IS DESIGNED TO TERMINATE A BRAIDED CABLE SHIELD AND A HEAT SHRINKABLE LIPPED BOOT TO A CONNECTOR.
- FOR ADDITIONAL DIMENSIONS, ORDERING INFORMATION AND MODIFICATIONS, SEE CH00-0250-008.
- SEE DRAWING TR FOR DETAIL ON TINEL-LOCK RING, RINGS ARE DESIGNED TO BE HEATED ELECTRICALLY, ALL RINGS ARE MARKED WITH THERMOCHROMIC PAINT WHICH CHANGES COLOUR WHEN INSTALLATION TEMPERATURE IS REACHED.
- BACKSHELL TO BE PERMANENTLY MARKED/BAGGED AND LABELLED WITH CODE IDENTIFICATION NUMBER AND PART NUMBER LESS RING DESIGNATOR. (e.g. 06090-TXR61AB00-1206). RING SHALL BEAR NO MARKING.
- FOR LARGER ENTRY SIZES, A 2 PIECE BACKSHELL ASSEMBLY (TYPE 2) IS SUPPLIED.
- BACKSHELL MATES TO MIL-C-81511, SERIES 1, 2, 3 AND 4, CLASS A, C, E, F, P AND T, M81511/1, /5, /6, /21, /23, /25, /26, /31, /32, /33, /34, /35, /36, /37, /38 /45, /46, /49, /51, /53, /55 AND /56 CONNECTORS.
- THESE DIMENSIONS APPLY IF A SELF-LOCKING COUPLING NUT IS USED.

If this document is printed it becomes uncontrolled. Check for the latest revision

DRAWN	K.WINCZURA	DATE 24/02/2015	 3RD ANGLE PROJECTION NOT TO SCALE UNLESS OTHERWISE SPECIFIED ALL DIMENSIONS IN MILLIMETRES GENERAL TOL LINEAR +/-0.25MM ANGULAR +/- 1°	TITLE:	
CHECKED		24/02/2015		TINEL-LOCK BACKSHELL	
APPROVED	K.SHEPPARD	20/03/2015		ASSY USED ON:	
APPROVED	H.SMITH	20/08/2015		MIL-DTL-81511	
REVISIONS					
LTR	DESCRIPTION	DATE	APPROVED		
D	REVISED PER ECN AD93073				
E	REVISED PER ECO-15-011999	20/08/2015	H.SMITH		
TE CAGE CODE: 06090 POLAMCO/TE CAGE CODE: U5792				TE CONNECTIVITY - POLAMCO LTD RESERVES THE RIGHT TO AMEND THIS DRAWING AND TO INDEP	DRAWING NO: TXR61
				SHOULD IR THEIR APPLICATION.	DRAWING REV: E
					SHT 1



DRAWN	K.WINCZURA	DATE	24/02/2015
CHECKED		DATE	24/02/2015
APPROVED	K.SHEPPARD	DATE	20/03/2015
APPROVED	H.SMITH	DATE	20/08/2015
REVISIONS			
LTR	DESCRIPTION	DATE	APPROVED
D	REVISED PER ECN AD93073		
E	REVISED PER ECO-15-011999	20/08/2015	H.SMITH

3RD ANGLE PROJECTION NOT TO SCALE

UNLESS OTHERWISE SPECIFIED ALL DIMENSIONS IN MILLIMETRES
GENERAL TOL LINEAR +/-0,25MM
ANGULAR +/- 1°

TITLE:

TINEL-LOCK BACKSHELL

ASSY USED ON:

MIL-DTL-81511

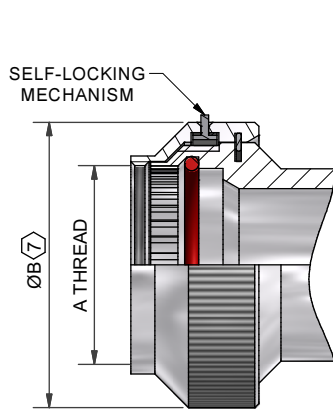


TE CAGE CODE: 06090
POLAMCO/TE CAGE CODE: U5792

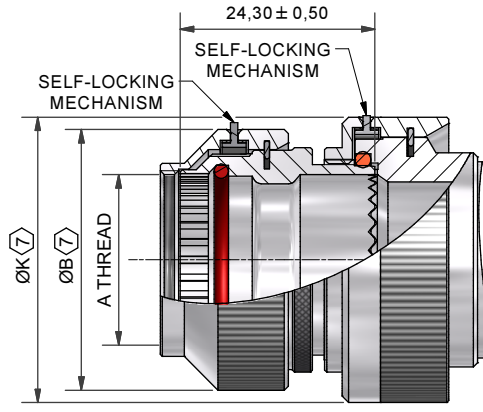
TE CONNECTIVITY - POLAMCO LTD RESERVES THE RIGHT TO AMEND THIS DRAWING AND THEREOF INDEPENDENTLY. Downloaded From Oneyac.com SHOULD BE IN THEIR APPLICATION.

DRAWING NO:	DRAWING REV:	SHT
TXR61	E	2

MODIFICATION S



BACKSHELL - TYPE 1



BACKSHELL - TYPE 2

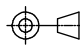
TABLE 1

ORDER NO.	SHELL SIZE COM'L / MIL	A THREAD	ØB MAX	ØB MAX (7)	MAX ENTRY	C ±0,5	D ±0,5	W ±0,5	T ±0,5	E ±0,5	THESE DIMENSIONS APPLY IF BACKSHELL IS STAINLESS STEEL OR NICKEL ALUMINIUM BRONZE		
											W ±0,5	T ±0,5	E ±0,5
08	8 / A	1/2-28UNEF	21,6	23,6	06	18,7	26,8	31,7	24,5	27,05	29,4	24,5	26,4
10	10 / B	5/8-28UNEF	24,8	26,4	08	19,0	27,5	34,0	25,3	27,95	32,4	25,3	28,2
14	14 / D	7/8-28UNEF	31,1	32,9	12	20,5	29,0	40,4	28,2	31,50	39,3	28,2	31,2
16	16 / E	1-28UNEF	34,3	36,6	14	21,2	29,7	44,0	31,0	32,70	42,4	31,0	32,9
18	18 / F	1 1/8-28UNEF	37,5	38,9	16	21,9	30,5	46,7	32,0	34,25	45,2	32,0	34,5
20	20 / G	1 1/4-28UNEF	40,6	41,9	18	22,5	30,9	49,7	33,0	35,80	47,6	33,0	36,1
22	22 / H	1 3/8-28UNEF	43,8	44,9	20	22,8	31,1	51,2	33,7	37,40	49,8	33,7	37,6
24	24 / J	1 1/2-28UNEF	47,0	48,1	22	23,7	32,1	54,7	35,5	38,90	52,8	35,5	39,1

TABLE 2

ENTRY SIZE	ØZ MIN	ØS	ØY ± 0,3	ØK MAX	ØK MAX (7)	F ±0,5	G ±0,5	H ±0,5	M ±0,5	J ±0,5	THESE DIMENSIONS APPLY IF BACKSHELL IS STAINLESS STEEL OR NICKEL ALUMINIUM BRONZE		
											H ±0,5	M ±0,5	J ±0,5
04	6,35	9,49 +/-0,04	14,00	NA	NA	NA	NA	NA	NA	NA	NA	NA	NA
05	7,92	11,06 +/-0,04	15,50	NA	NA	NA	NA	NA	NA	NA	NA	NA	NA
06	9,53	12,66 +/-0,04	17,10	NA	NA	NA	NA	NA	NA	NA	NA	NA	NA
07	11,10	14,21 +/-0,07	18,70	21,0	24,6	12,5	27,5	24,0	15,5	27,95	24,3	17,2	28,2
08	12,70	15,81 +/-0,07	20,30	24,5	28,3	13,1	28,0	27,0	17,0	29,45	28,3	19,4	29,7
10	15,88	18,96 +/-0,08	23,50	29,0	32,4	13,5	29,0	31,0	19,5	31,00	31,1	21,0	31,2
12	19,05	22,14 +/-0,08	26,70	32,5	35,6	14,5	29,7	34,0	21,0	32,70	34,2	22,8	32,9
14	22,23	25,30 +/-0,08	29,80	35,5	38,5	15,5	30,5	35,0	20,0	34,25	38,5	25,3	34,5
16	25,40	28,48 +/-0,08	33,00	37,0	41,7	16,1	30,9	38,0	21,5	35,80	40,7	26,1	36,1
18	28,58	31,65 +/-0,08	36,20	40,0	43,9	16,5	31,1	42,0	24,0	37,40	43,7	27,6	37,6
20	31,75	34,83 +/-0,08	39,40	43,5	47,0	17,0	32,1	45,0	25,5	38,90	46,4	29,1	39,1
22	34,93	37,98 +/-0,08	42,50	48,5	50,0	18,5	35,3	54,5	31,0	42,00	50,0	31,0	42,0
24	38,10	41,15 +/-0,08	45,70	52,1	56,0	21,9	38,1	58,0	33,0	46,00	53,5	33,0	46,0

If this document is printed it becomes uncontrolled. Check for the latest revision

DRAWN	K.WINCZURA	DATE	24/02/2015	 3RD ANGLE PROJECTION NOT TO SCALE
CHECKED		DATE	24/02/2015	
APPROVED	K.SHEPPARD	DATE	20/03/2015	
APPROVED	H.SMITH	DATE	20/08/2015	
UNLESS OTHERWISE SPECIFIED ALL DIMENSIONS IN MILLIMETRES GENERAL TOL LINEAR +/-0,25MM ANGULAR +/- 1°				

TITLE:		TINEL-LOCK BACKSHELL	
ASSY USED ON:		MIL-DTL-81511	



REVISIONS			
LTR	DESCRIPTION	DATE	APPROVED
D	REVISED PER ECN AD93073		
E	REVISED PER ECO-15-011999	20/08/2015	H.SMITH

TE CONNECTIVITY - POLAMCO LTD RESERVES THE RIGHT TO AMEND THIS DRAWING AND TO INDEP		DRAWING NO: TXR61		DRAWING REV: E		SHT 3	
Downloaded From Oneyac.com		SHOULD BE IN THEIR APPLICATION.					

TE CAGE CODE: 06090
POLAMCO/TE CAGE CODE: U5792

单击下面可查看定价，库存，交付和生命周期等信息

[>>TE Connectivity\(泰科\)](#)