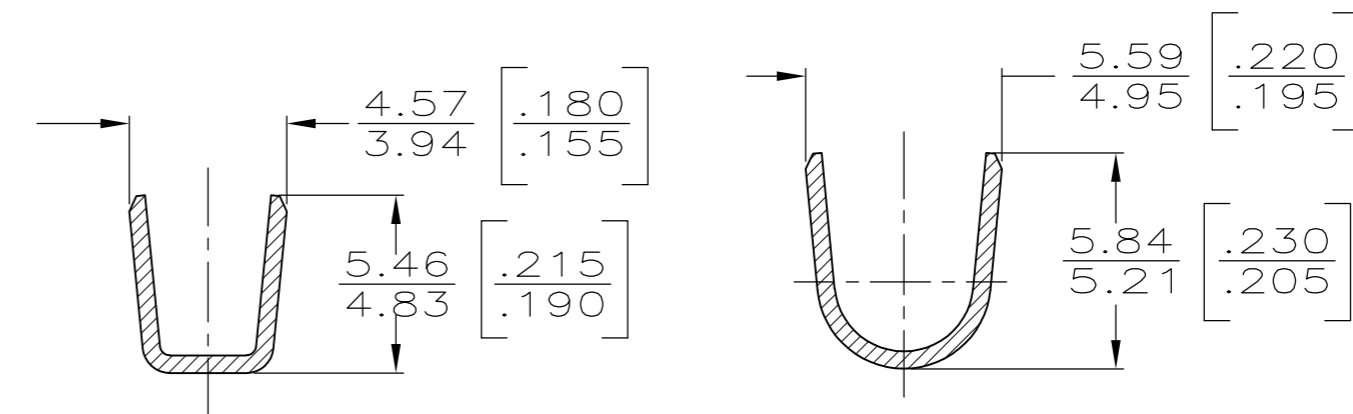
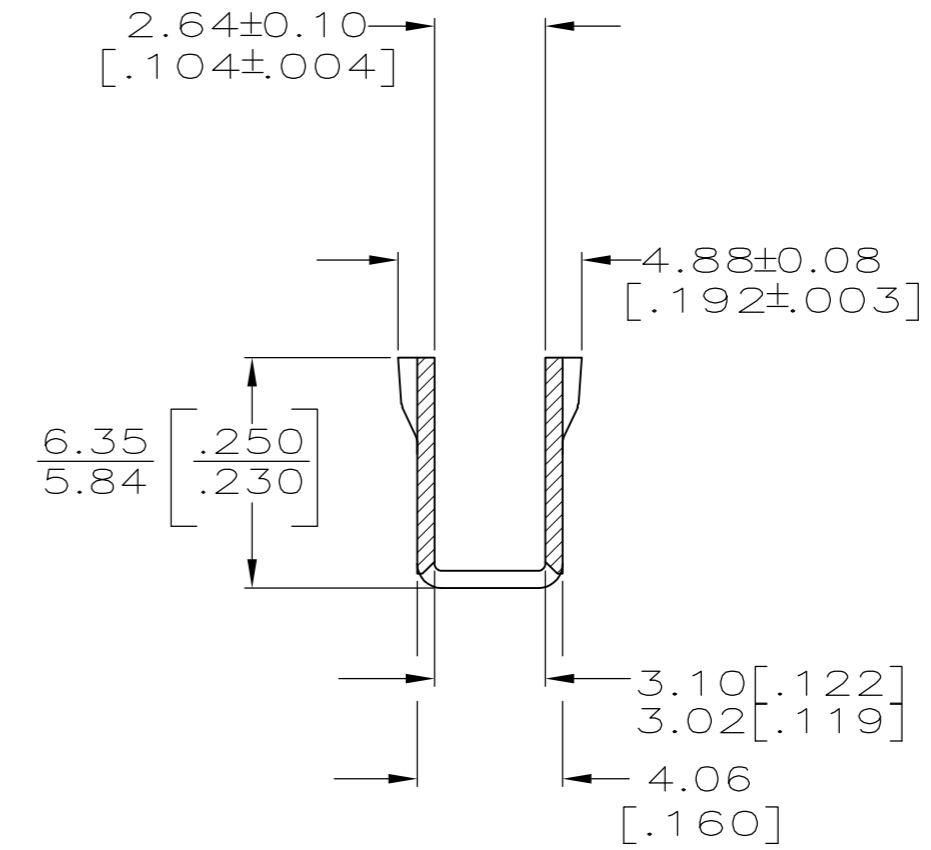
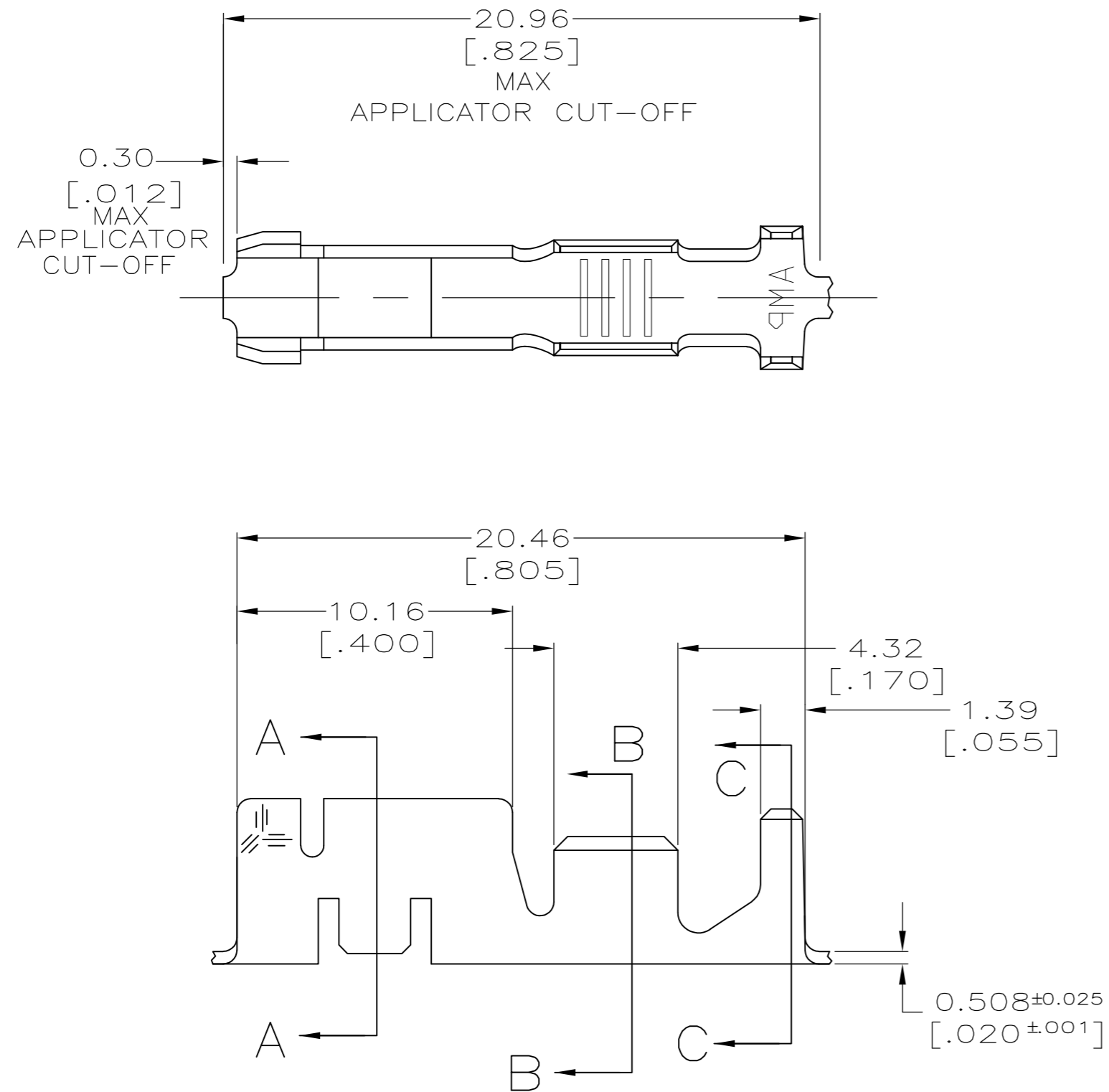


THIS DRAWING IS UNPUBLISHED. RELEASED FOR PUBLICATION  
 © COPYRIGHT - By - ALL RIGHTS RESERVED.

LOC		DIST		REVISIONS			
P	LTR	DESCRIPTION		DATE	DWN	APVD	
AF	50	AB	REVISED PER ECR-12-016352	16NOV12	KH	GJ	



1 CONTINUOUS STRIP ON REELS WITH TERMINALS LOCATED ON 22.61[.890] CENTERS

2 SPECIAL PACKAGING

F OR O	WIDTH	STRIP LENGTH	F	WIDTH	HEIGHT	WIRE
	4.57 [0.180]	6.22 [0.245]		3.56 [0.140]	2.97 [0.117]	5.0mm <sup>2</sup> [10]
					2.54 [0.100]	3.0mm <sup>2</sup> [12]
					2.24 [0.088]	2.0mm <sup>2</sup> [14]
TYPE	WIDTH	STRIP LENGTH 0.38 [±0.015]	TYPE	WIDTH	±0.051±[.002] HEIGHT	WIRE
INSUL BARREL CRIMP	WIRE BARREL CRIMP					

4.32[.170] MAX	2.0-5.0mm <sup>2</sup> [#14-#10]AWG	2	62243-5
4.32[.170] MAX	2.0-5.0mm <sup>2</sup> [#14-#10]AWG		62243-3
INSULATION BARREL DIA	WIRE BARREL RANGE	PART NO	
THIS DRAWING IS A CONTROLLED DOCUMENT.		DWN DK SCHRUM 2/20/90	TE Connectivity RECEPTACLE, CLUSTER PIN, 3.18[.125] DIA
DIMENSIONS: mm [INCHES]		CHK MS FEHER 2/22/90	
TOLERANCES UNLESS OTHERWISE SPECIFIED:		APVD DF DECKER 3/5/90	
0 PLC ± - 1 PLC ± - 2 PLC ± - 3 PLC ± 0.38[0.015] 4 PLC ± - ANGLES ± -		PRODUCT SPEC 108-2008 APPLICATION SPEC 114-2019	
MATERIAL H03 TIN-BRASS.	FINISH TIN PLATED	WEIGHT -	RESTRICTED TO -
CUSTOMER DRAWING		SCALE 5:1	SHEET 1 OF 1
		CAGE CODE A2 00779	REV AB
		DRAWING NO C=62243	

单击下面可查看定价，库存，交付和生命周期等信息

[>>TE Connectivity\(泰科\)](#)