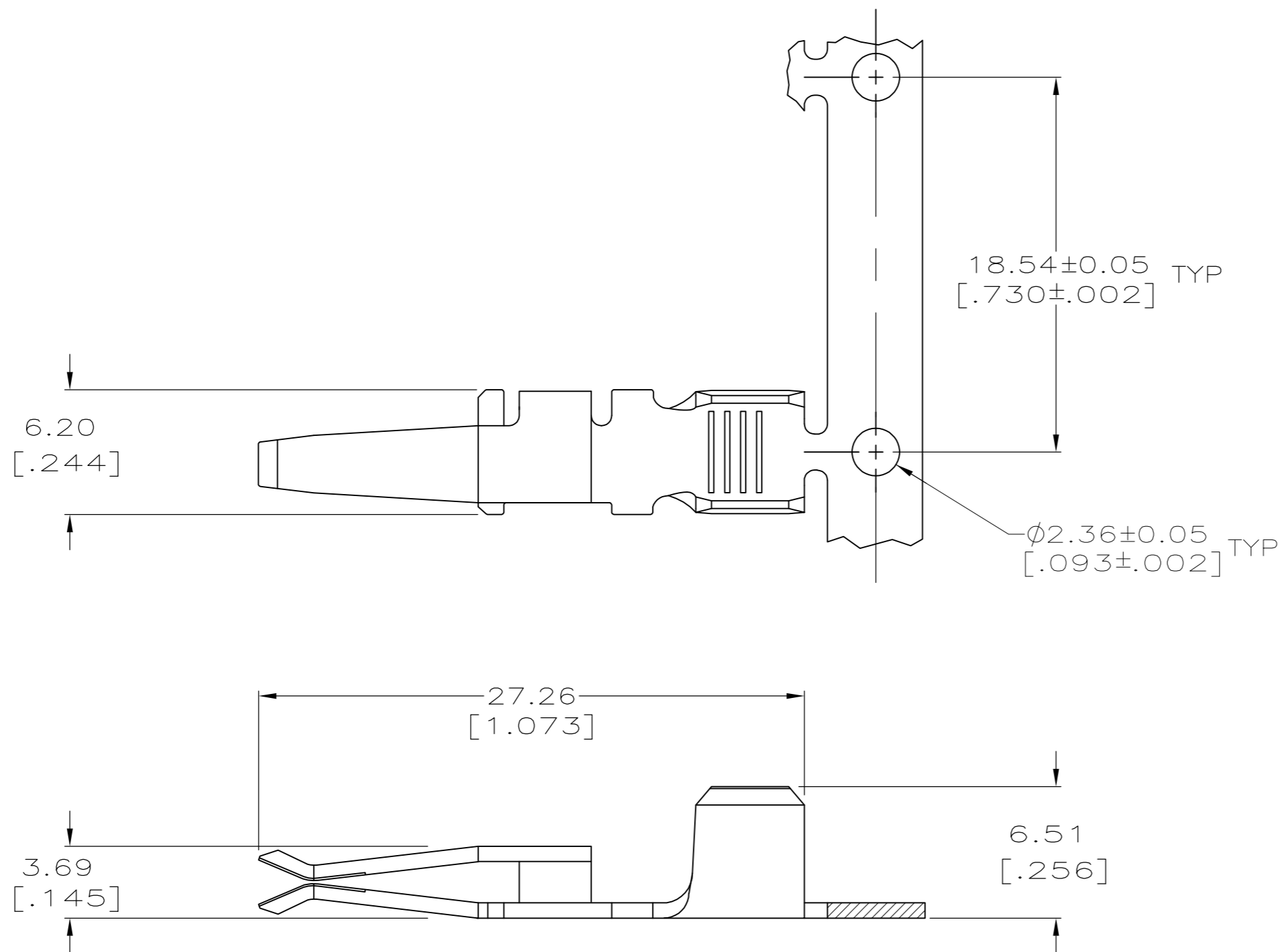


THIS DRAWING IS UNPUBLISHED. RELEASED FOR PUBLICATION
 © COPYRIGHT - By - ALL RIGHTS RESERVED.

LOC		DIST		REVISIONS			
P	LTR	DESCRIPTION		DATE	DWN	APVD	
	C1	REVISED PER ECO-11-004917		11MAR11	RK	HMR	

- 1 ALL DIMENSIONS SHOWN ARE MAXIMUM UNLESS OTHERWISE SPECIFIED.
- 2 MATERIAL: 2.54 μm [.000100] MINIMUM TIN PLATED COPPER ALLOY, 0.74-0.79 [.030 \pm .001] THICK.
- 3. WIRE BARREL ACCEPTS ONE 10 OR 12 AWG STRANDED COPPER WIRE.
- 4 CONTACTS ON REEL SHALL BE CRIMPED USING APPLICATOR TOOL 567256.
- 5 LOOSE PIECE CONTACTS SHALL BE CRIMPED USING TOOLS AND DIE SETS LISTED BELOW.
 HAND TOOL: AMP PART NO. 69710
 PNEUMATIC TOOL: AMP PART NO. 69365
 DIE SET 10 AWG: AMP PART NO. 58491-1
 DIE SET 12 AWG: AMP PART NO. 58490-1



2000/REEL	4	556880-2
LOOSE PIECE 200/BOX	5	556880-1
DESCRIPTION		PART NO

THIS DRAWING IS A CONTROLLED DOCUMENT.		DWN	5-30-91	TE Connectivity CONTACT, DUAL BEAM, 10-12 AWG, WT.B, AMPINNERGY TM	
DIMENSIONS: mm [INCHES]		CHK	8-23-91		
TOLERANCES UNLESS OTHERWISE SPECIFIED:		APVD	8-26-91		
0 PLC ± - 1 PLC ± - 2 PLC ± - 3 PLC ± - 4 PLC ± - ANGLES ± - FINISH ± -		NAME			
		PRODUCT SPEC	108-1349	SIZE	A2
MATERIAL		APPLICATION SPEC	114-6044	CAGE CODE	00779
		WEIGHT	-	DRAWING NO	C=556880
CUSTOMER DRAWING		SCALE 4:1		SHEET	1 of 1

556880

单击下面可查看定价，库存，交付和生命周期等信息

[>>TE Connectivity\(泰科\)](#)