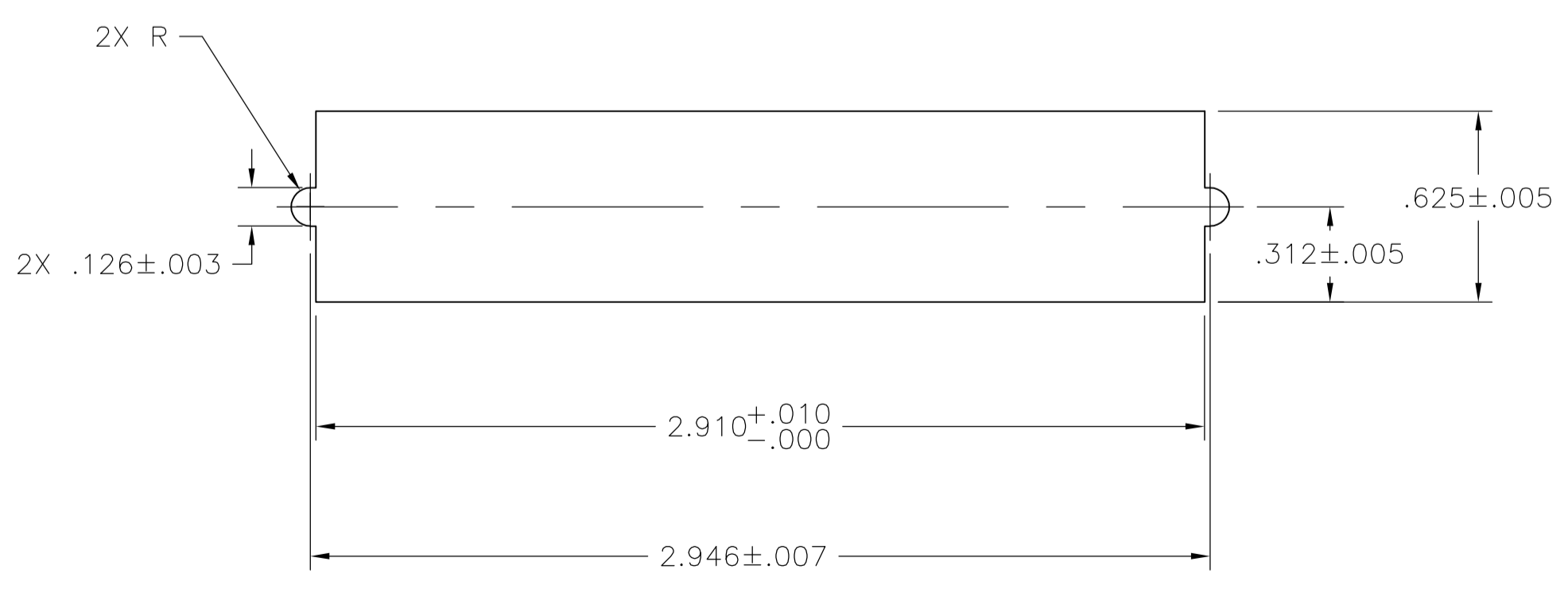
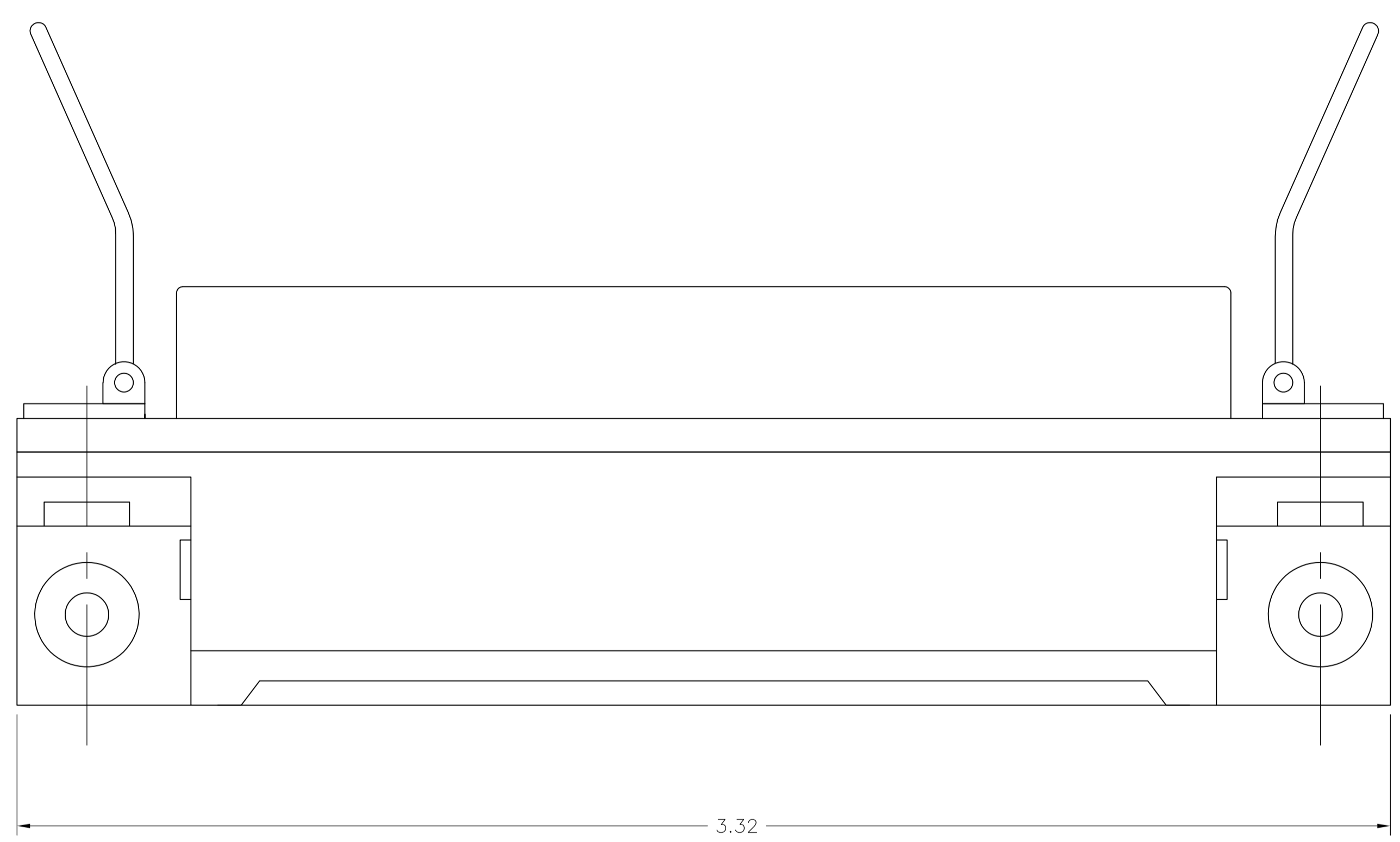
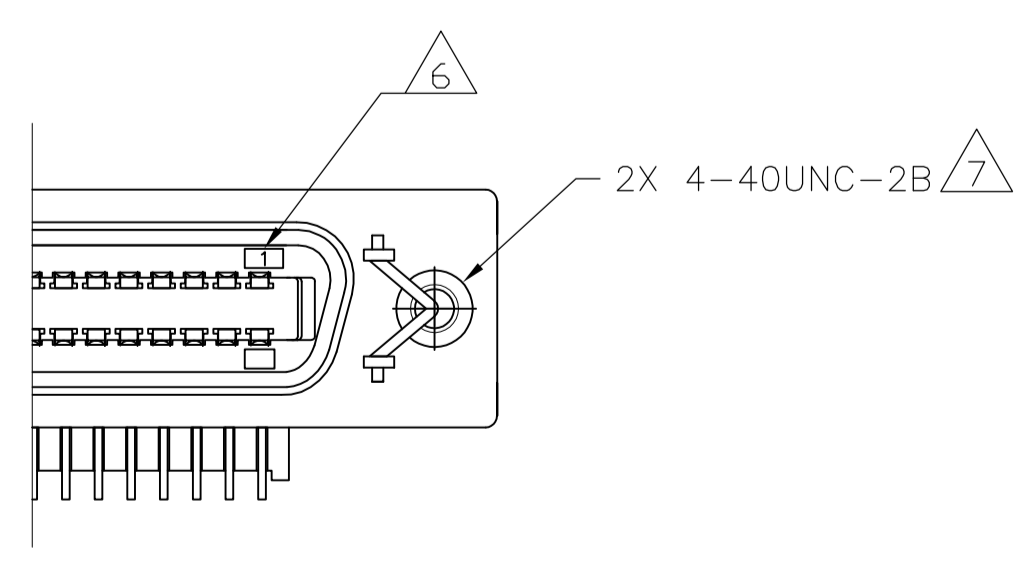


SUGGESTED PRINTED CIRCUIT BOARD MOUNTING DIMENSIONS

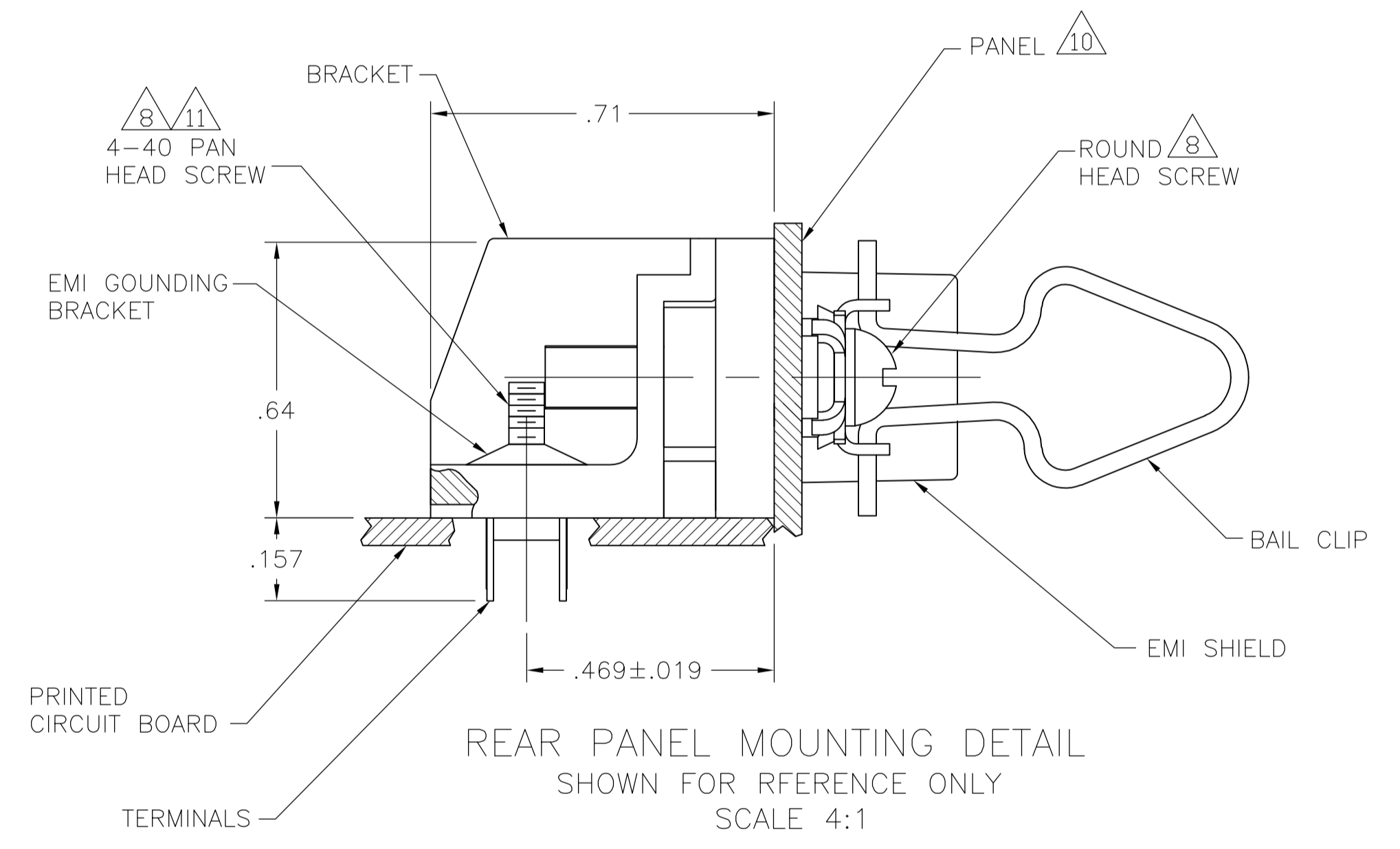


SUGGESTED REAR PANEL MOUNTING SHOWN FOR REFERENCE ONLY



DETAIL A STANDARD ORIENTATION

- 1 MATERIAL:
HOUSING, BRACKET, ADAPTER COMB & TERMINAL SUPPORT PLATE - THERMOPLASTIC (BLACK).
EMI SHIELD - BRIGHT NICKEL OVER COPPER PLATED DIE CASTING.
TERMINALS - HIGH STRENGTH COPPER ALLOY PLATED WITH EITHER .000030 MIN GOLD PLATE OR GOLD FLASH OVER PALLADIUM NICKEL PLATE, .000030 MIN TOTAL ON MATING SURFACE. .000120 MIN TIN PLATE ON TAILS. ALL OVER .000050 MIN NICKEL UNDERPLATE OVER ENTIRE TERMINAL.
BAIL CLIP - PASSIVATED STAINLESS STEEL.
- 2 THE CONTACT SURFACES OF THE TERMINALS ARE COATED WITH LUBRICANT.
- 3 CENTER-TO-CENTER SPACING OF TERMINALS IS .085 NOMINAL.
- 4 ALL DIMENSIONS SHOWN ARE MAXIMUM UNLESS OTHERWISE SPECIFIED.
- 5 DETAIL A IS VIEWED FROM MATING SIDE OF RECEPTACLE ASSEMBLY.
- 6 TERMINAL 1 IS LOCATED IN THIS ROW FOR STANDARD ORIENTATION.
- 7 HOLES ARE TAPPED AFTER PLATING.
- 8 SCREWS SHOWN FOR REFERENCE ONLY. RECOMMENDED HARDWARE KIT 554273-2 FOR USE WITH THIS PART NUMBER.
- 9 BAIL CLIPS & EMI SHIELD ARE ASSEMBLED TO CONNECTOR BEFORE SHIPMENT.
- 10 PANEL THICKNESS RANGE: .062 MAX.
- 11 STAINLESS STEEL SCREWS RECOMMENDED BECAUSE OF CONTACT WITH SOLDER BATH.



REAR PANEL MOUNTING DETAIL SHOWN FOR REFERENCE ONLY SCALE 4:1

5554901-1
PART NUMBER

THIS DRAWING IS A CONTROLLED DOCUMENT.		DWG NO. MCMASTER	DATE	Tyco Electronics Corporation Harrisburg, PA 17105-3608	
DIMENSIONS: INCHES		CHK W. MILLHIMES	DATE	NAME	
TOLERANCES UNLESS OTHERWISE SPECIFIED:		APPROV. M. WALMISEY	DATE	RECEPTACLE ASSEMBLY, SHIELDED, 50 POSITION, BAIL LOCK, RIGHT ANGLE, PANEL MOUNTING, PRINTED CIRCUIT BOARD, CHAMP	
0. PLC	± .005	DATE	DATE	SIZE	RESTRICTED TO
1. PLC	± .003	DATE	DATE	WEIGHT	SCALE
2. PLC	± .002	DATE	DATE	APPL. SPEC	SHEET
3. PLC	± .001	DATE	DATE	SIZE	OF
4. PLC	± .0005	DATE	DATE	WEIGHT	1
ANGLES	± .0005	DATE	DATE	WEIGHT	REV
MATERIAL		DATE	DATE	WEIGHT	1
FINISH		DATE	DATE	WEIGHT	1
CUSTOMER DRAWING		DATE	DATE	WEIGHT	1

单击下面可查看定价，库存，交付和生命周期等信息

[>>TE Connectivity\(泰科\)](#)