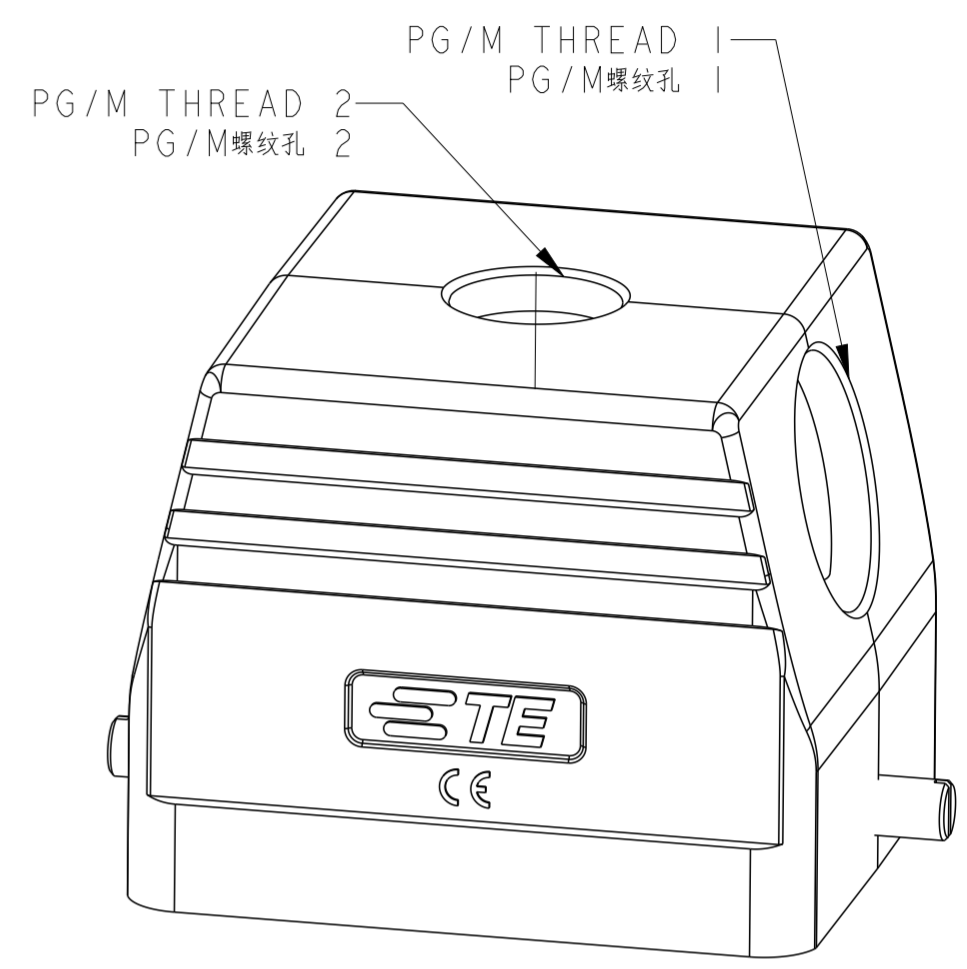
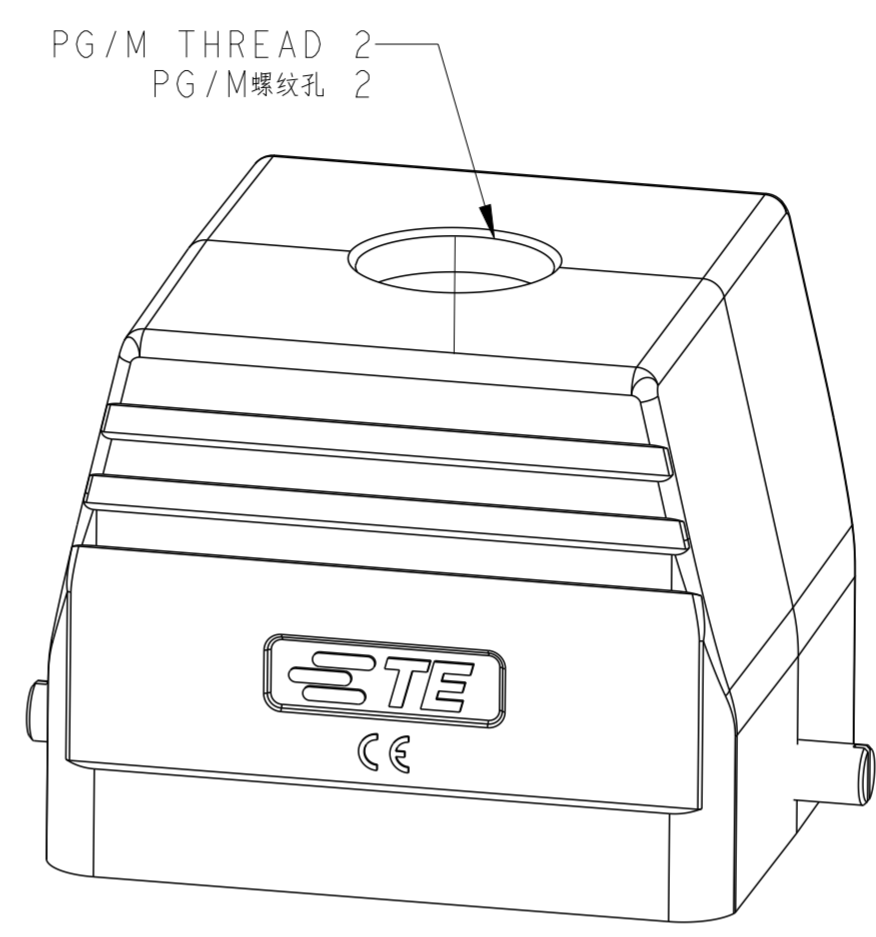
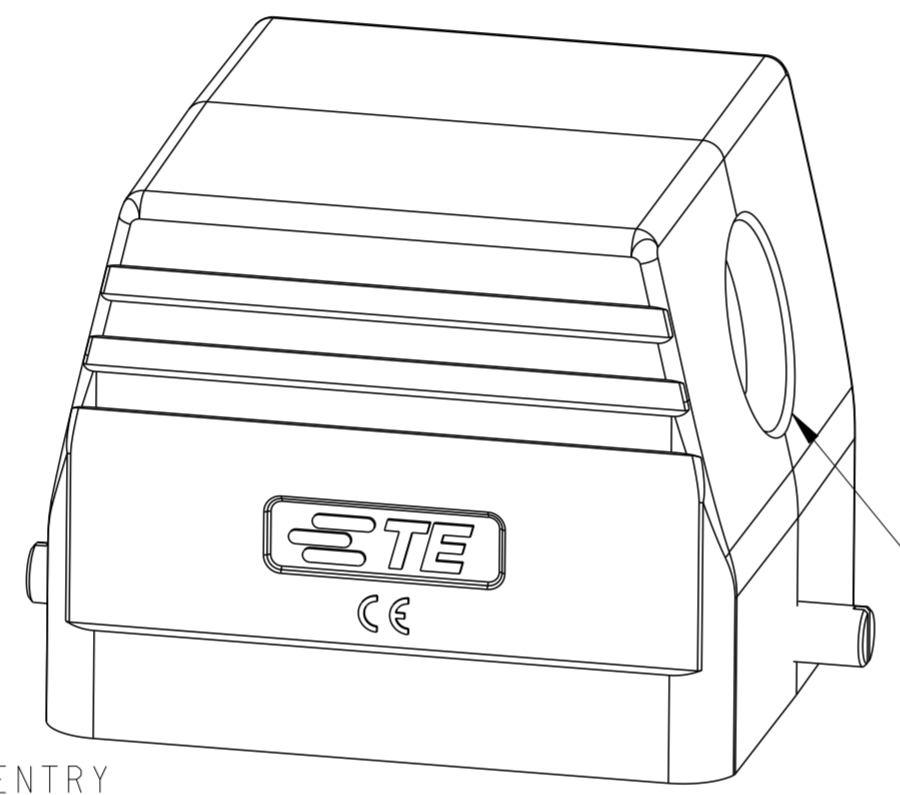
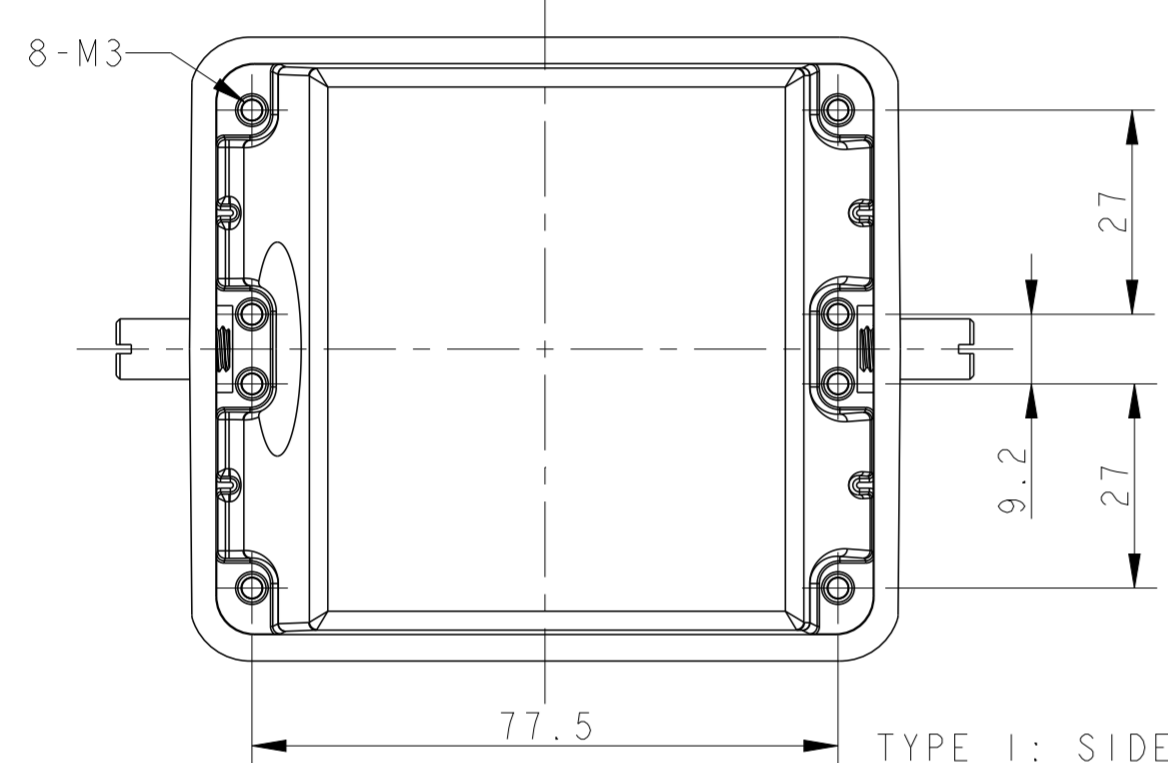
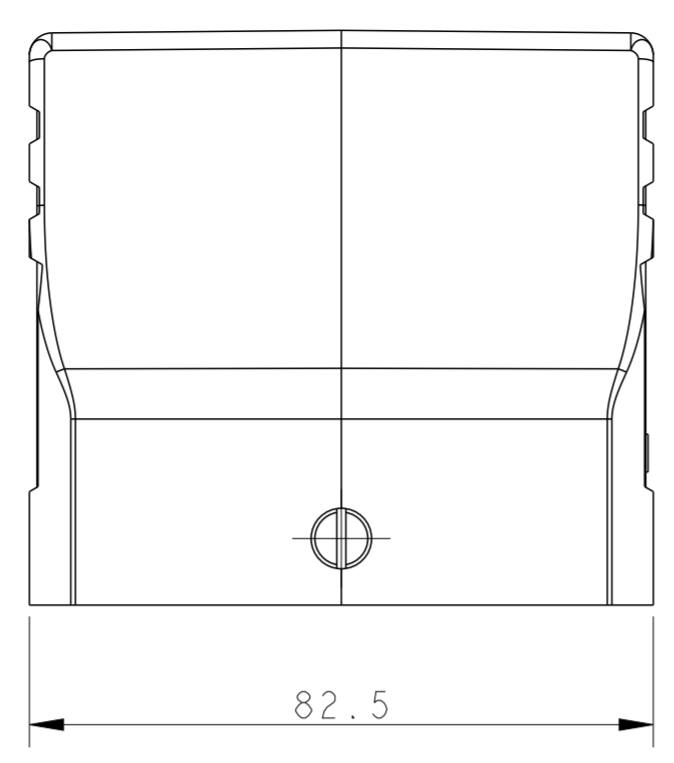
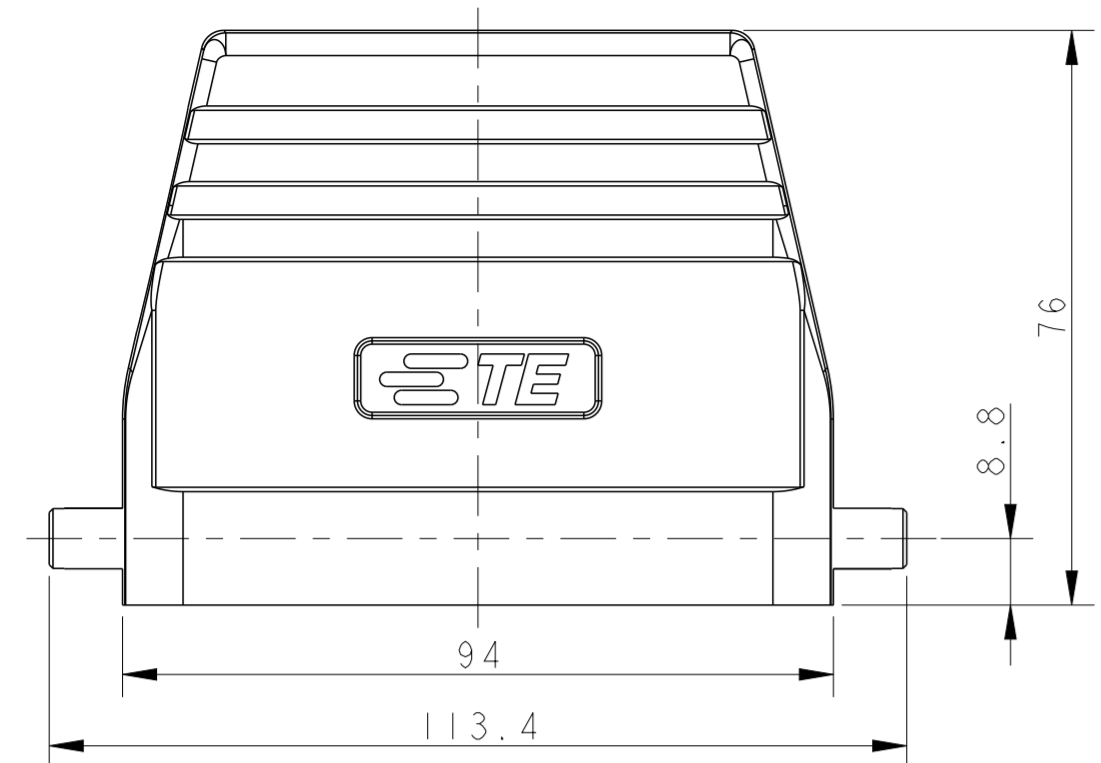


THIS DRAWING IS UNPUBLISHED. RELEASED FOR PUBLICATION 20
 © COPYRIGHT 20 BY - ALL RIGHTS RESERVED.

REVISIONS					
P	LTR	DESCRIPTION	DATE	DWN	APVD
A		INITIAL RELEASE	02JUN2015	DL	CW
AI		ECR-18-004153	08AUG2018	GY	CW
B		ECR-21-109004	13AUG2021	WOR	CW
BI		ECR-23-171683	12APR2023	AC	CW



TYPE 1: SIDE ENTRY
类型1: 侧出

TYPE 2: TOP ENTRY, UNDEFINED DIMENSIONS REFER TO TYPE 1.
类型2: 顶出, 未定义尺寸规格参照类型1。

TYPE 3: SIDE/TOP ENTRY, UNDEFINED DIMENSIONS REFER TO TYPE 1.
类型3: 侧/顶出, 未定义尺寸规格参照类型1。

PG/M THREAD 1
PG/M螺纹孔 1

NOTES:

- TECHNICAL CHARACTERISTICS:
 BODY MATERIAL: DIE CAST ALUMINIUM ALLOY
 SURFACE TREATMENT: POWDER-COATED, GRAY
 DEGREE OF PROTECTION: IP65 (MATED)

注释:

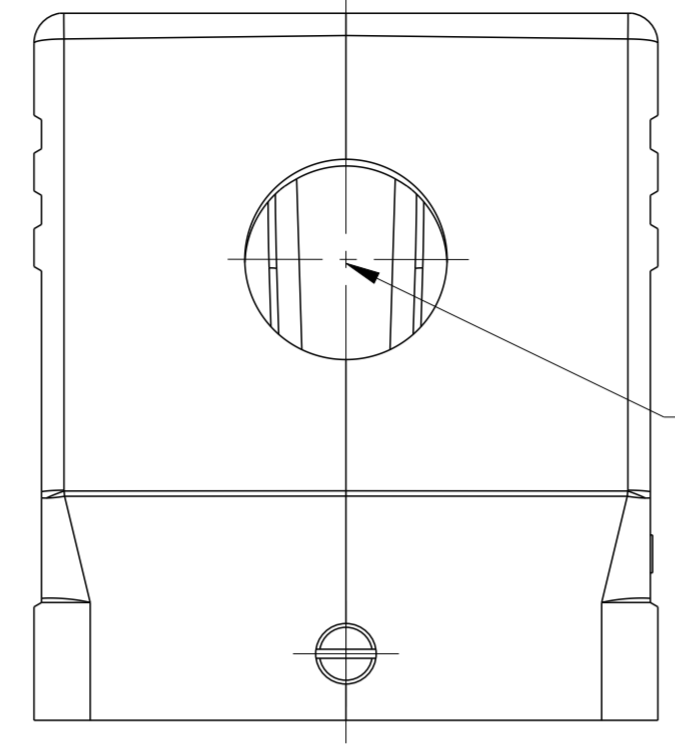
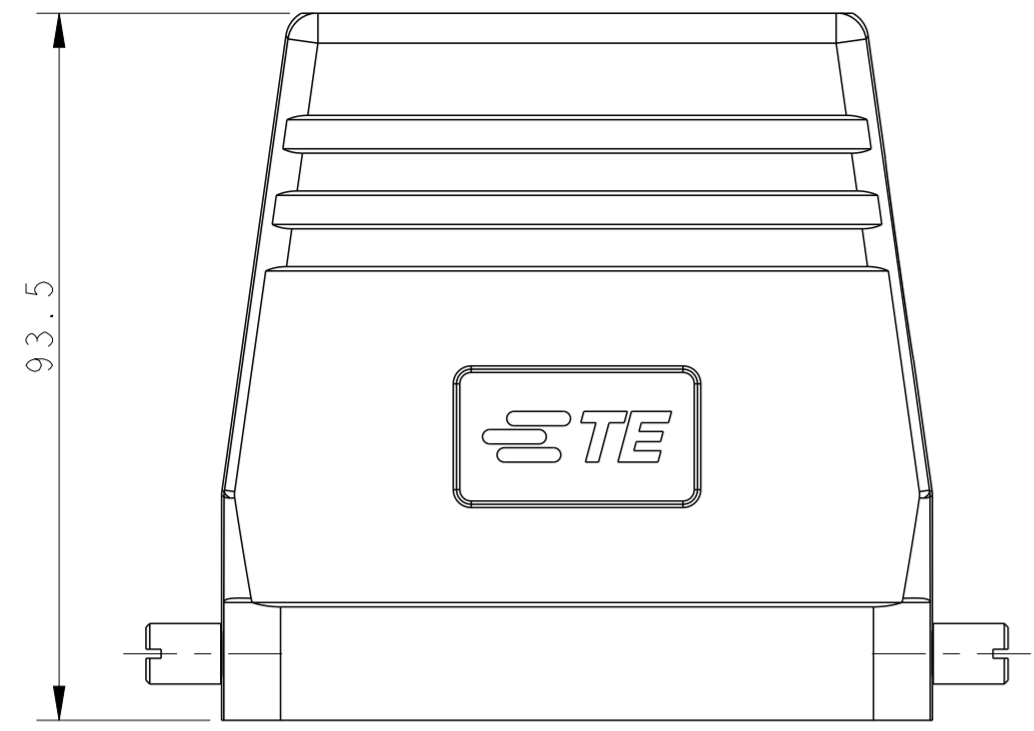
- 技术参数:
 主体材料: 铝合金
 表面处理: 粉末喷涂, 灰色
 防护等级: IP65(配合)

PART NUMBER 料号	PART DESCRIPTION 描述	PG/M THREAD 1 PG/M螺纹孔1	PG/M THREAD 2 PG/M螺纹孔2	TYPE 类型
T1310320121-000	H32B-TS-RO-PG21 H32B上壳, 侧出PG21, 2耳, 灰色粉末喷涂	PG21	-	TYPE 1 类型1
T1310320129-000	H32B-TS-RO-PG29 H32B上壳, 侧出PG29, 2耳, 灰色粉末喷涂	PG29	-	
T1310320132-000	H32B-TS-RO-M32 H32B上壳, 侧出M32, 2耳, 灰色粉末喷涂	M32	-	
T1310320136-000	H32B-TS-RO-PG36 H32B上壳, 侧出PG36, 2耳, 灰色粉末喷涂	PG36	-	
T1310320140-000	H32B-TS-RO-M40 H32B上壳, 侧出M40, 2耳, 灰色粉末喷涂	M40	-	
T1310320150-000	H32B-TS-RO-M50 H32B上壳, 侧出M50, 2耳, 灰色粉末喷涂	M50	-	TYPE 2 类型2
T1320320121-000	H32B-TG-RO-PG21 H32B上壳, 顶出PG21, 2耳, 灰色粉末喷涂	-	PG21	
T1320320125-000	H32B-TG-RO-M25 H32B上壳, 顶出M25, 2耳, 灰色粉末喷涂	-	M25	
T1320320129-000	H32B-TG-RO-PG29 H32B上壳, 顶出PG29, 2耳, 灰色粉末喷涂	-	PG29	
T1320320132-000	H32B-TG-RO-M32 H32B上壳, 顶出M32, 2耳, 灰色粉末喷涂	-	M32	
T1320320136-000	H32B-TG-RO-PG36 H32B上壳, 顶出PG36, 2耳, 灰色粉末喷涂	-	PG36	
T1320320140-000	H32B-TG-RO-M40 H32B上壳, 顶出M40, 2耳, 灰色粉末喷涂	-	M40	
T1320320142-000	H32B-TG-RO-PG42 H32B上壳, 顶出PG42, 2耳, 灰色粉末喷涂	-	PG42	
T1320320150-000	H32B-TG-RO-M50 H32B上壳, 顶出M50, 2耳, 灰色粉末喷涂	-	M50	
T1320320163-000	H32B-TG-RO-M63 H32B上壳, 顶出M63, 2耳, 灰色粉末喷涂	-	M63	
T1320320225-000	H32B-TG-RO-2M25 H32B上壳, 侧顶出M25, 2耳, 灰色粉末喷涂	M25	M25	TYPE 3 类型3

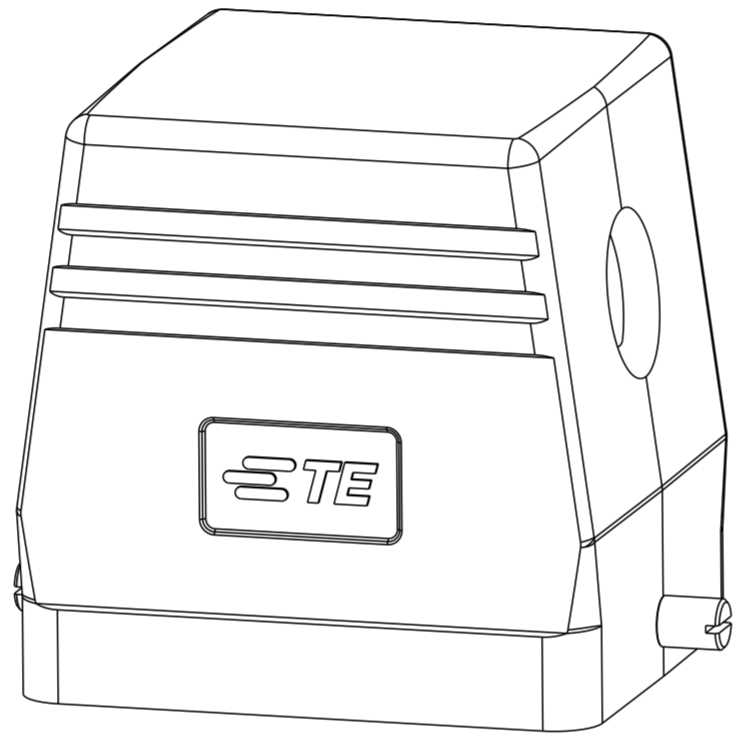
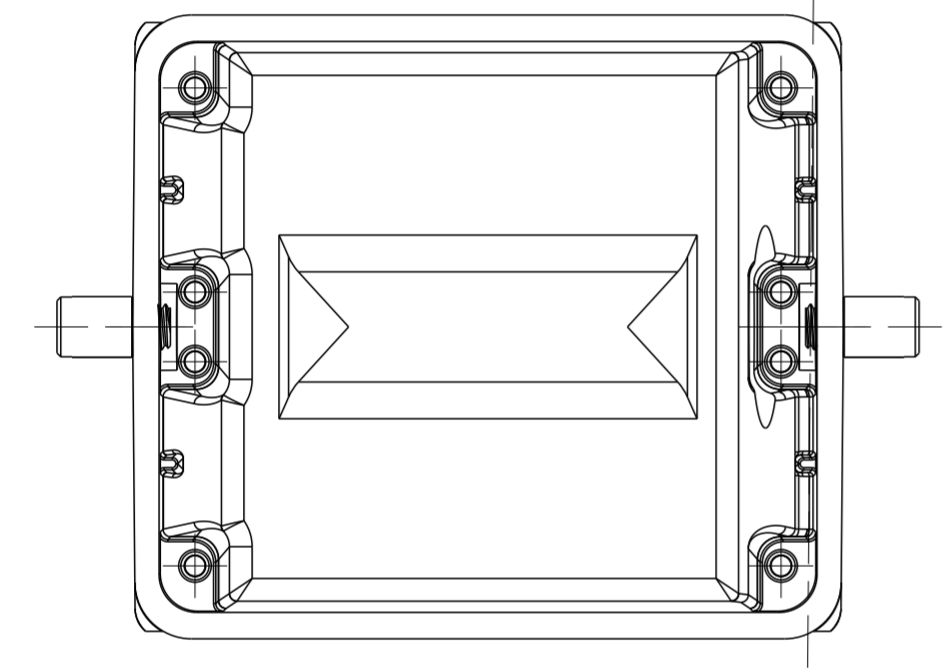
THIS DRAWING IS A CONTROLLED DOCUMENT.		DWN DAVID LI 02JUN2015	TE Connectivity	
DIMENSIONS: mm		CHK CHRIS WANG 02JUN2015		
TOLERANCES UNLESS OTHERWISE SPECIFIED:		APVD XU XIANG 02JUN2015	NAME H32B-TS/TG/TSH/TGH-RO-M/PG	
0 PLC ±		PRODUCT SPEC 108-137013	SIZE CAGE CODE DRAWING NO RESTRICTED TO	
1 PLC ±		APPLICATION SPEC 114-137013	A200779 C-T13X0320XXX000	
2 PLC ±		WEIGHT -	SCALE 1:1 SHEET 1 OF 2 REV BI	
3 PLC ±		CUSTOMER DRAWING		
4 PLC ±				
ANGLES ±				
FINISH -				

THIS DRAWING IS UNPUBLISHED. RELEASED FOR PUBLICATION 20
 © COPYRIGHT 20 BY - ALL RIGHTS RESERVED.

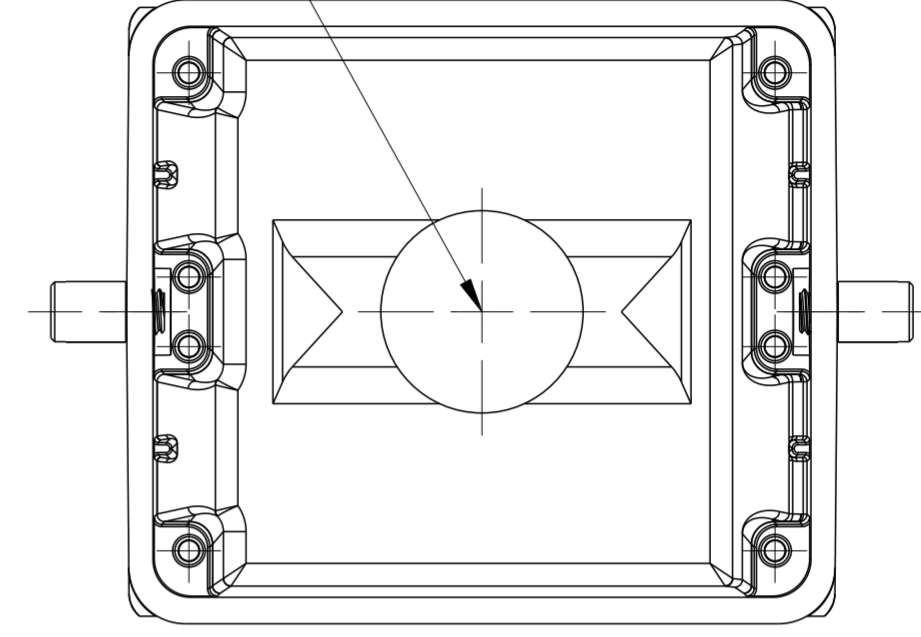
REVISIONS				
P	LTR	DESCRIPTION	DATE	APVD
		SEE SHEET 1		



PG/M THREAD 4
PG/M螺纹孔 4



PG/M THREAD 5
PG/M螺纹孔 5



TYPE 4: HIGH CONSTRUCTION, SIDE ENTRY, UNDEFINED DIMENSIONS REFER TO TYPE 1.
 类型4: 高结构, 侧出, 未定义尺寸 & 规格参照类型1.

TYPE 5: HIGH CONSTRUCTION, TOP ENTRY, UNDEFINED DIMENSIONS REFER TO TYPE 4.
 类型5: 高结构, 顶出, 未定义尺寸 & 规格参照类型4.

PART NUMBER 料号	PART DESCRIPTION 描述	PG/M THREAD 4 PG/M螺纹孔4	PG/M THREAD 5 PG/M螺纹孔5	TYPE 类型
T1330320121-000	H32B HOOD, SIDE ENTRY PG21, 2 EAR, HIGH CONSTRUCTION, POWDER COATED, GREY H32B上壳, 侧出PG21, 2耳, 高结构, 灰色粉末喷涂	PG21	-	TYPE 4 类型4
T1330320129-000	H32B HOOD, SIDE ENTRY PG29, 2 EAR, HIGH CONSTRUCTION, POWDER COATED, GREY H32B上壳, 侧出PG29, 2耳, 高结构, 灰色粉末喷涂	PG29	-	
T1330320132-000	H32B HOOD, SIDE ENTRY M32, 2 EAR, HIGH CONSTRUCTION, POWDER COATED, GREY H32B上壳, 侧出M32, 2耳, 高结构, 灰色粉末喷涂	M32	-	
T1330320136-000	H32B HOOD, SIDE ENTRY PG36, 2 EAR, HIGH CONSTRUCTION, POWDER COATED, GREY H32B上壳, 侧出PG36, 2耳, 高结构, 灰色粉末喷涂	PG36	-	
T1330320140-000	H32B HOOD, SIDE ENTRY M40, 2 EAR, HIGH CONSTRUCTION, POWDER COATED, GREY H32B上壳, 侧出M40, 2耳, 高结构, 灰色粉末喷涂	M40	-	
T1330320150-000	H32B HOOD, SIDE ENTRY M50, 2 EAR, HIGH CONSTRUCTION, POWDER COATED, GREY H32B上壳, 侧出M50, 2耳, 高结构, 灰色粉末喷涂	M50	-	TYPE 5 类型5
T1340320121-000	H32B HOOD, TOP ENTRY PG21, 2 EAR, HIGH CONSTRUCTION, POWDER COATED, GREY H32B上壳, 顶出PG21, 2耳, 高结构, 灰色粉末喷涂	-	PG21	
T1340320125-000	H32B HOOD, TOP ENTRY M25, 2 EAR, HIGH CONSTRUCTION, POWDER COATED, GREY H32B上壳, 顶出M25, 2耳, 高结构, 灰色粉末喷涂	-	M25	
T1340320129-000	H32B HOOD, TOP ENTRY PG29, 2 EAR, HIGH CONSTRUCTION, POWDER COATED, GREY H32B上壳, 顶出PG29, 2耳, 高结构, 灰色粉末喷涂	-	PG29	
T1340320132-000	H32B HOOD, TOP ENTRY M32, 2 EAR, HIGH CONSTRUCTION, POWDER COATED, GREY H32B上壳, 顶出M32, 2耳, 高结构, 灰色粉末喷涂	-	M32	
T1340320136-000	H32B HOOD, TOP ENTRY PG36, 2 EAR, HIGH CONSTRUCTION, POWDER COATED, GREY H32B上壳, 顶出PG36, 2耳, 高结构, 灰色粉末喷涂	-	PG36	
T1340320140-000	H32B HOOD, TOP ENTRY M40, 2 EAR, HIGH CONSTRUCTION, POWDER COATED, GREY H32B上壳, 顶出M40, 2耳, 高结构, 灰色粉末喷涂	-	M40	
T1340320142-000	H32B HOOD, TOP ENTRY PG42, 2 EAR, HIGH CONSTRUCTION, POWDER COATED, GREY H32B上壳, 顶出PG42, 2耳, 高结构, 灰色粉末喷涂	-	PG42	
T1340320150-000	H32B HOOD, TOP ENTRY M50, 2 EAR, HIGH CONSTRUCTION, POWDER COATED, GREY H32B上壳, 顶出M50, 2耳, 高结构, 灰色粉末喷涂	-	M50	
T1340320163-000	H32B HOOD, TOP ENTRY M63, 2 EAR, HIGH CONSTRUCTION, POWDR COATED, GREY H32B上壳, 顶出M63, 2耳, 高结构, 灰色粉末喷涂	-	M63	

THIS DRAWING IS A CONTROLLED DOCUMENT.

DWN DAVID LI 02JUN2015
 CHK CHRIS WANG 02JUN2015
 APVD XU XIANG 02JUN2015

STE TE Connectivity

NAME H32B-TS/TG/TSH/TGH-RO-M/PG

PRODUCT SPEC 108-137013
 APPLICATION SPEC 114-137013

SIZE CAGE CODE DRAWING NO RESTRICTED TO
 A200779 C-T13X0320XXX000

MATERIAL FINISH WEIGHT CUSTOMER DRAWING SCALE 1:1 SHEET 2 OF 2 REV B1

单击下面可查看定价，库存，交付和生命周期等信息

[>>TE Connectivity\(泰科\)](#)