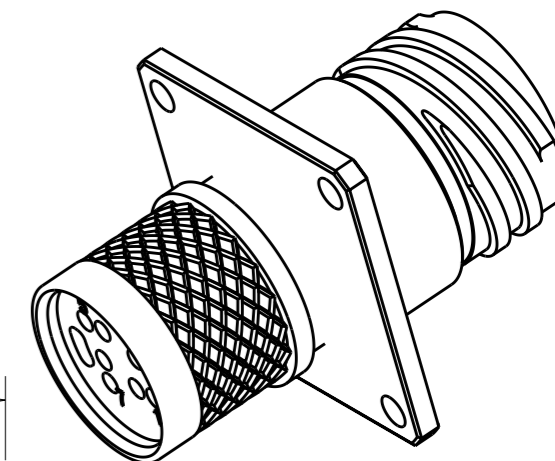
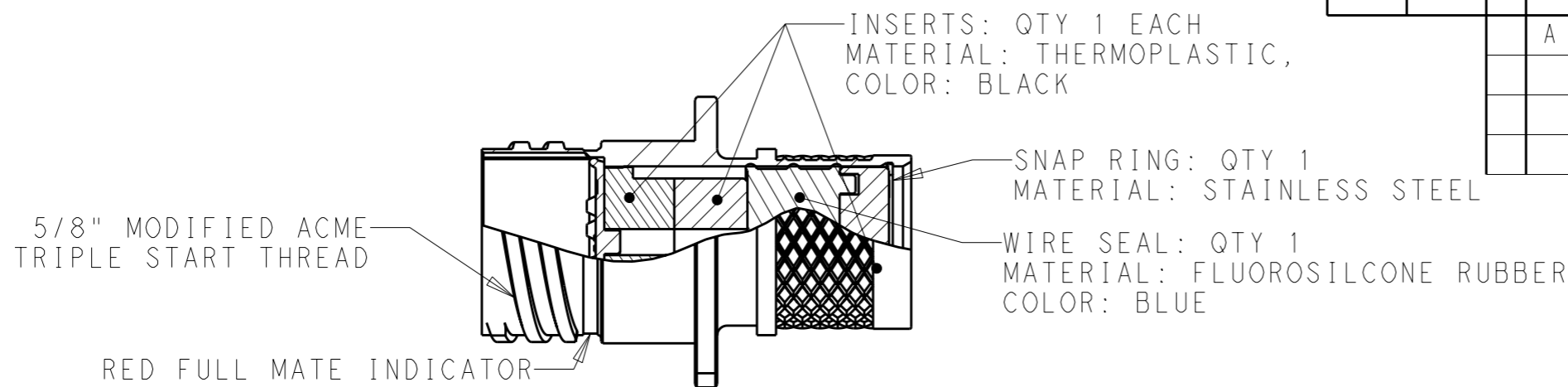
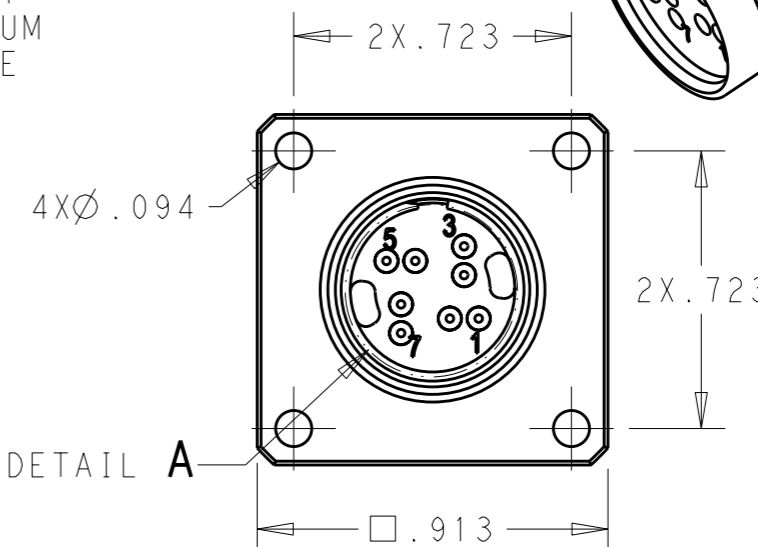
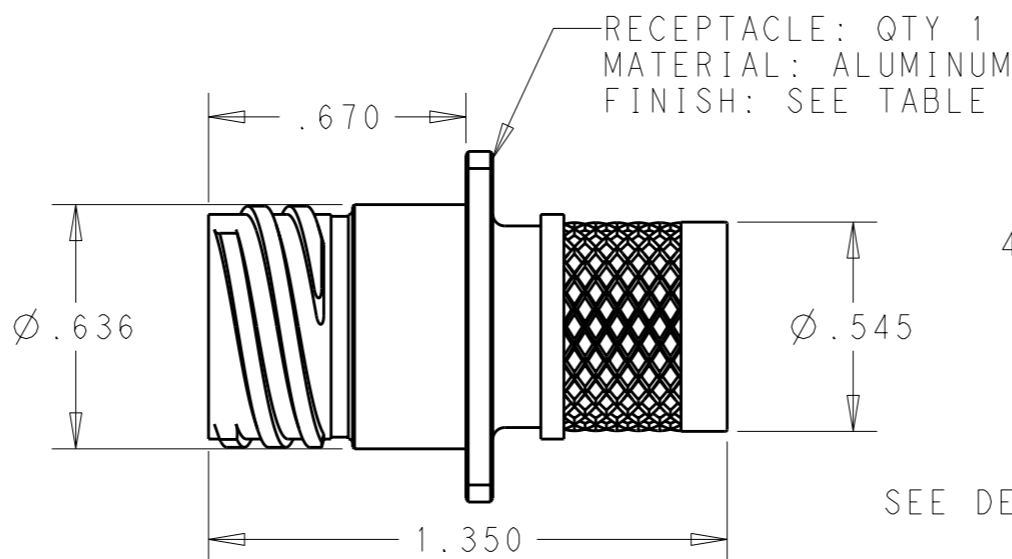
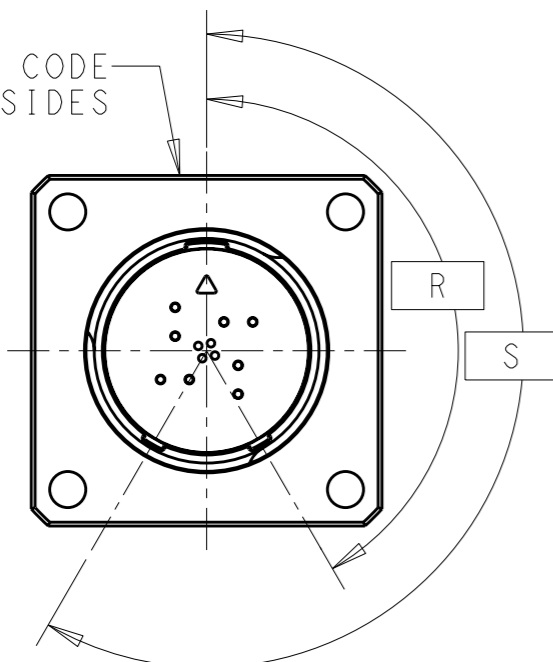


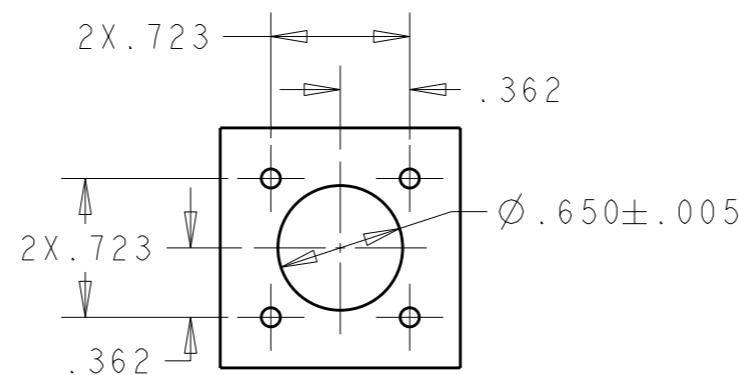
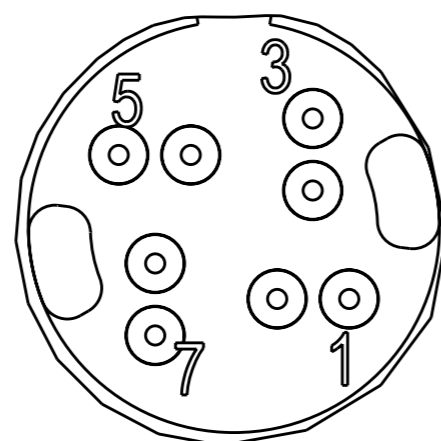
P	LTR	DESCRIPTION	DATE	DWN	APVD
	A	RELEASED PER ECO-12-007058	11APR2012	JM	-



"TE" AND DATE CODE ON 1 OF 4 SIDES



KEY OPTION	KEY ROTATION	
	"R"	"S"
NORMAL	150°	210°
A	140°	215°
B	132°	248°



KEYING OPTION	FINISH	PART NUMBER
B	BLACK ZINC NICKLE PLATE	2102342-6
B	NICKLE PLATE	2102342-5
A	BLACK ZINC NICKLE PLATE	2102342-4
A	NICKLE PLATE	2102342-3
NORMAL	BLACK ZINC NICKLE PLATE	2102342-2
NORMAL	NICKLE PLATE	2102342-1

MAX. PANEL THICKNESS 1/4"

DETAIL A SCALE 5:1

NOTES:

- 1, -3 AND -5 ARE ELECTROLESS NICKEL PLATE PER MIL-C-26074.
- 2, -4 AND -6 ARE BLACK ZINC NICKEL PER AMS-2417.

THIS DRAWING IS A CONTROLLED DOCUMENT.		DWN 15DEC2011 MCKIBBEN, JOHN		TE Connectivity	
DIMENSIONS: INCH		CHK 15DEC2011 DOWHOWER, KENNETH			
TOLERANCES UNLESS OTHERWISE SPECIFIED:		APVD 15DEC2011		NAME RECEPTACLE ASSEMBLY	
0 PLC ±.1		PRODUCT SPEC 108-2482		SIZE A3	
1 PLC ±.1		APPLICATION SPEC 114-32025		CAGE CODE 300779	
2 PLC ±.02		WEIGHT -		DRAWING NO C-2102342	
3 PLC ±.005		CUSTOMER DRAWING		RESTRICTED TO -	
4 PLC ±.0005		SCALE 2:1		SHEET 1 OF 1	
ANGLES ±.		REV A			
FINISH -					

单击下面可查看定价，库存，交付和生命周期等信息

[>>TE Connectivity\(泰科\)](#)