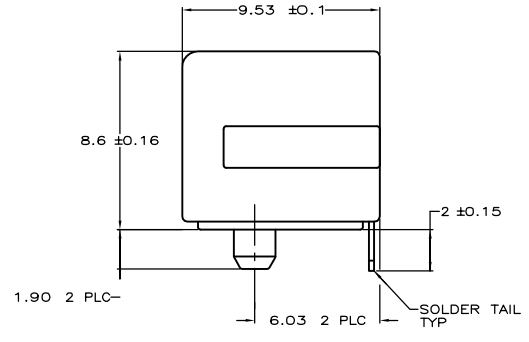
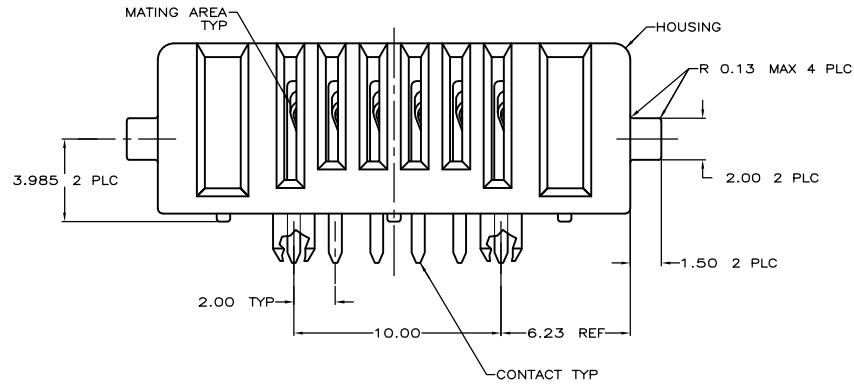


P.C. BOARD MOUNTING DIMENSIONS



- ▲ MATERIAL:
HOUSING- SPS, UL 94V-0 RATED, BLACK.
CONTACTS- PHOSPHOR BRONZE.
- ▲ PLATING:
CONTACTS: .076µm MINIMUM GOLD OVER 0.76µm MINIMUM PALLADIUM NICKEL ON MATING AREA,
3.80µm MINIMUM TIN ON SOLDER TAIL, ALL OVER 1.27µm MINIMUM NICKEL.
- ▲ DATUMS AND BASIC DIMENSIONS ESTABLISHED BY CUSTOMER.
- ▲ RECOMMENDED PC BOARD THICKNESS OF 1.57.
- ▲ RECOMMENDED MINIMUM TRACE WIDTH FOR END POSITIONS
WHEN CARRYING 4 AMPS: 1.80 WIDE x 55µm THICK, BOTH SIDES.

5787526-1
PART NUMBER

THIS DRAWING IS A CONTROLLED DOCUMENT.		DATE: 04/16/95	Tyco Electronics Corporation Shanghai PRC
DRAWN BY: M.E. SHIRK		DATE: 04/16/95	
CHECKED BY: WAYNE DAVIS		DATE: 07-11-99	RECEPTACLE ASSEMBLY, 6 POSITION, MDI
DESIGNED BY: B.S. HILF		DATE: 07-11-99	
DIMENSIONS: mm		PRODUCT SPEC	RESTRICTED TO
TOLERANCES UNLESS OTHERWISE SPECIFIED:		APPLICATION SPEC	
0 PLC	± .13	WEIGHT	A1 00779 C-5787526
1 PLC	± .13	CUSTOMER DRAWING	
2 PLC	± .13	SCALE: 8:1	SHEET 1 OF 1 REV O
3 PLC	± .13		
4 PLC	± .13		
ANGLES	± .13		
FINISH			

单击下面可查看定价，库存，交付和生命周期等信息

[>>TE Connectivity\(泰科\)](#)