

4

3

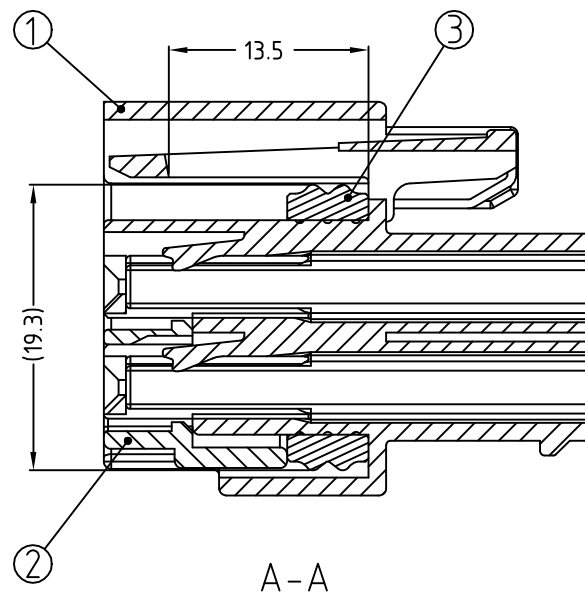
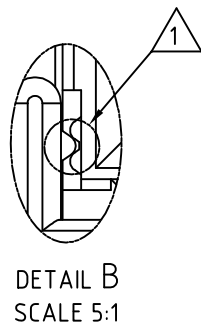
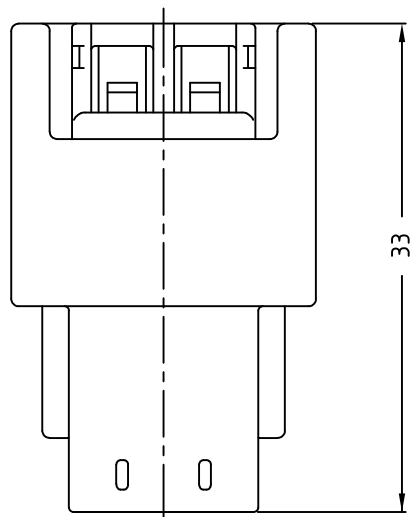
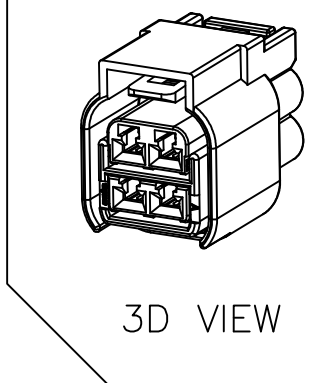
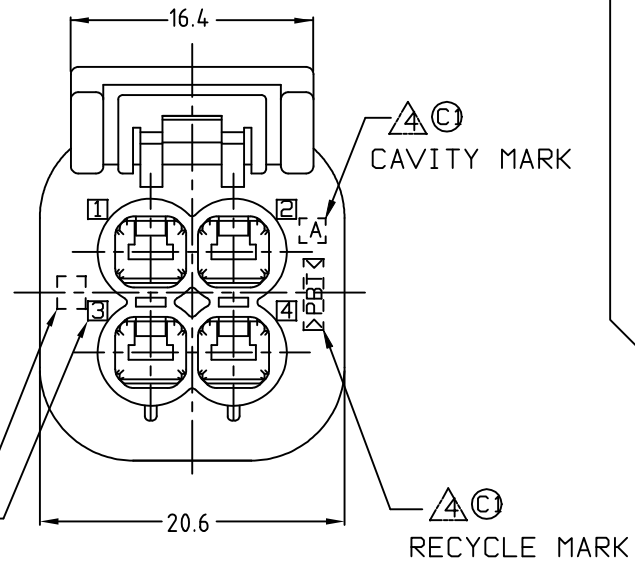
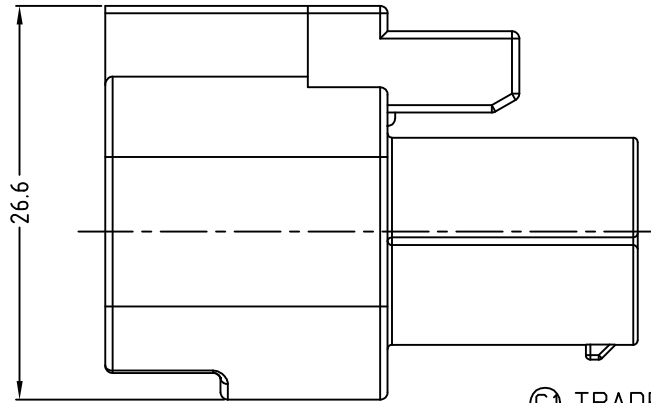
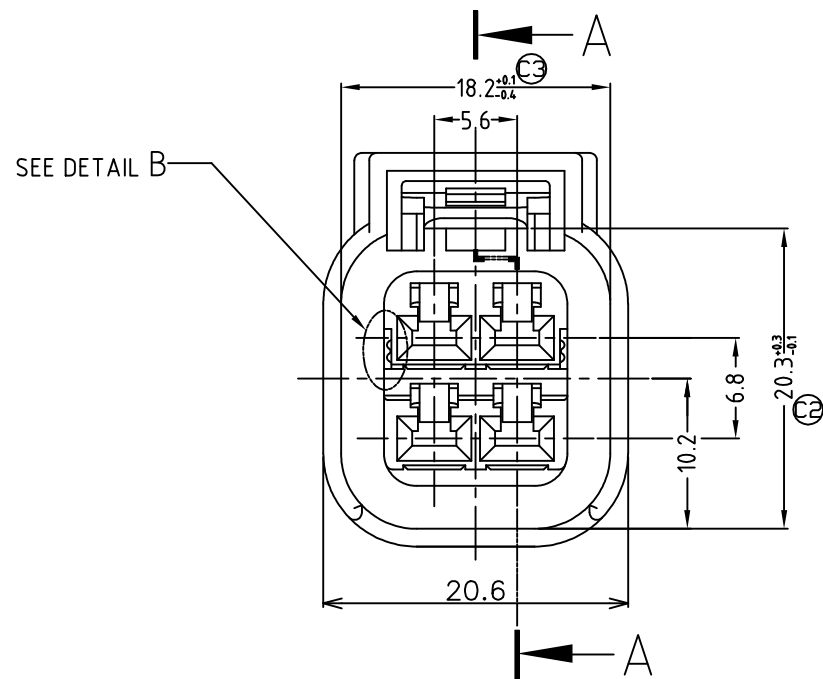
2

1

THIS DRAWING IS UNPUBLISHED. RELEASED FOR PUBLICATION

© COPYRIGHT BY TYCO ELECTRONICS CORPORATION. ALL RIGHTS RESERVED.

LOC	DIST	REVISIONS				
P	LTR	DESCRIPTION	DATE	DWN	APVD	
		C	REVISED (ECR-09-013524)	16/JUN/09	KT	HG
		C1	REVISED (ECR-10-017371)	14/SEP/10	SJ	HG
		C2	REVISED (ECR-18-010069)	28/JUN/18	TY	YJ
		C3	REVISED (ECR-18-010914)	11/JUL/18	TY	YJ



NOTES:

- 1. CONDITION OF DELIVERY: DBL PLATE IN OPEN POSITION
- 2. APPLIED RECEPTACLE CONTACT P/N:

CONTACT	MCP-E TERMINAL	
Part No.	936606-1	936607-1
WIRE SIZE(mm <sup>2</sup> )	1.0 ~ 2.5	0.5 ~ 1.0

- 3. APPLIED MALE CONNECTOR P/N: 936293-2

- 4. ALL CHARACTERS SHALL BE CLEAR AND LEGIBLE
  - TRADE MARK: 1.0 CHARACTERS 0.2 RAISED
  - CAVITY MARK & CURCUIT NO: 1.0 CHARACTERS 0.2 RAISED
  - RECYCLE MARK: 1.0 CHARACTEERS 0.2 RAISED

NO.	COLOR	MATERIAL	DESCRIPTION	QTY
3	RED ORANGE	SILICON	INNER SEAL	1 1
2	WHITE	PBT-GF10	DBL	1 1
1	GRAY	PBT	4P PLUG HSG	1
1	BLACK	PBT	4P PLUG HSG	1

ASSY P/N
936254-3
936254-2

THIS DRAWING IS A CONTROLLED DOCUMENT FOR TYCO ELECTRONICS CORPORATION IT IS SUBJECT TO CHANGE AND THE CONTROLLING ENGINEERING ORGANIZATION SHOULD BE CONTACTED FOR THE LATEST REVISION.

DIMENSIONS: mm	TOLERANCES UNLESS OTHERWISE SPECIFIED: 0 <XX<10 ± 0.2 10<XX<30 ± 0.25 30<XX ± 0.3 ANGLES ± 3°	DWN SJ CHOI CHK JW JUNG APVD HG CHD PRODUCT SPEC - APPLICATION SPEC - WEIGHT -
3rd ANGLE PROJECTION	MATERIAL SEE TABLE	FINISH -

**Tyco Electronics** Tyco Electronics  
kyungsan, korea

NAME  
MCP-E SEALED 4P PLUG ASSEMBLY

SIZE	CAGE CODE	DRAWING NO	RESTRICTED TO
A3	00779	C=936254	-

CUSTOMER DRAWING SCALE 2:1 SHEET 1 OF 1 REV C3

单击下面可查看定价，库存，交付和生命周期等信息

[>>TE Connectivity\(泰科\)](#)