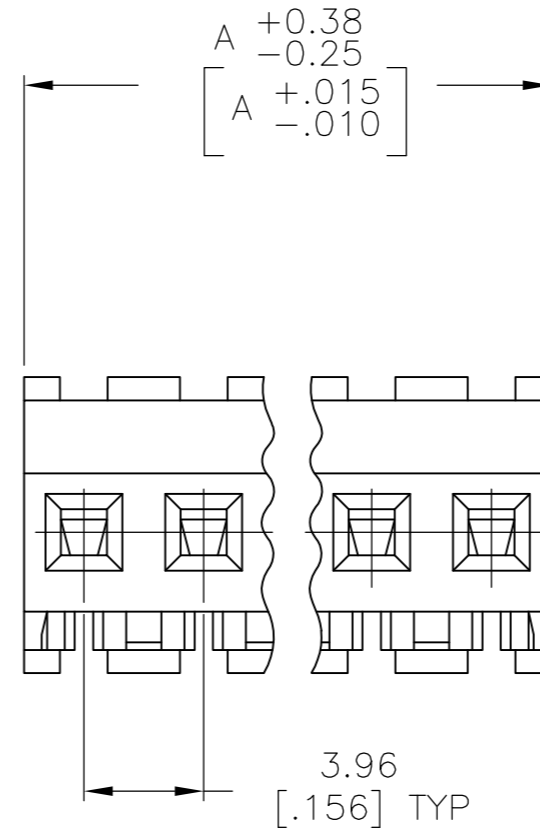
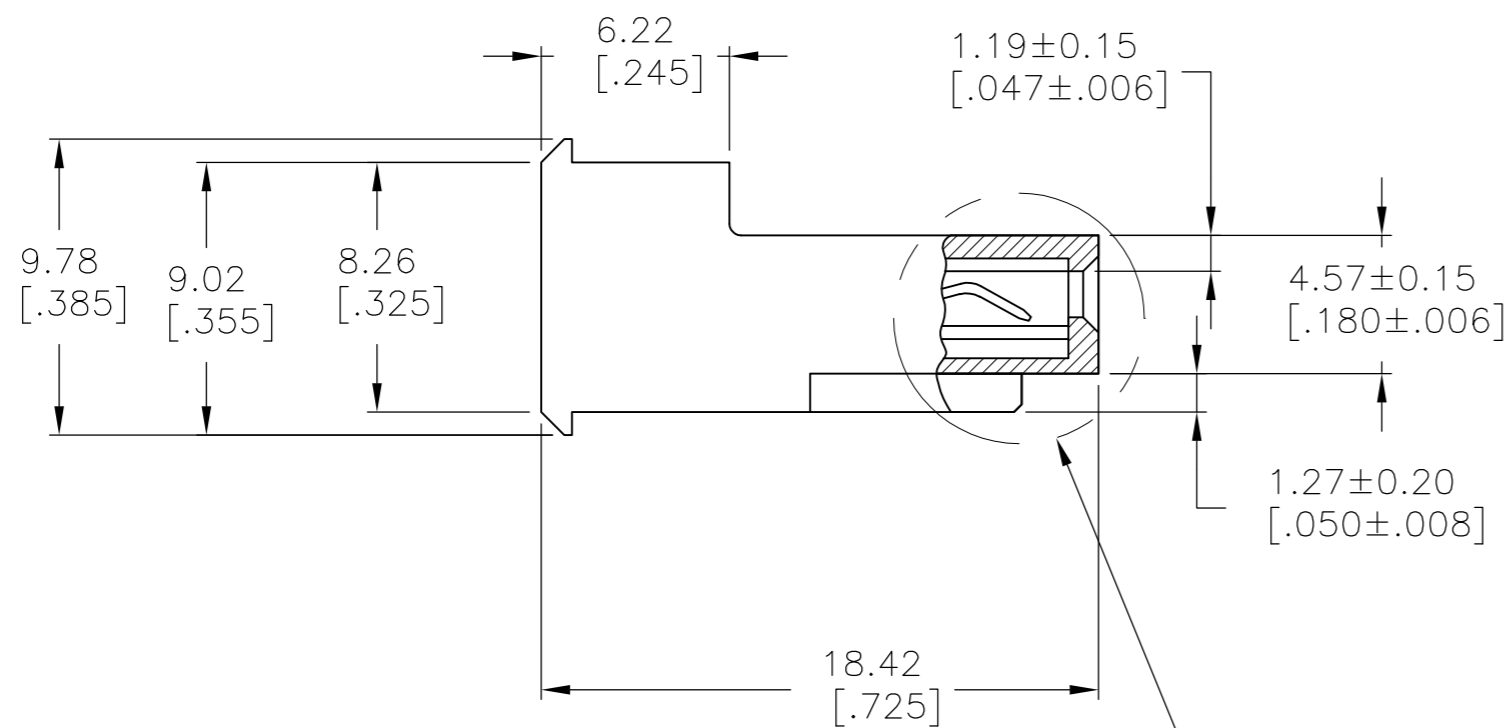
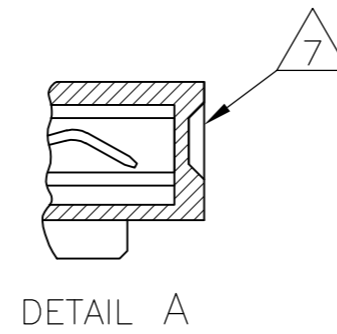
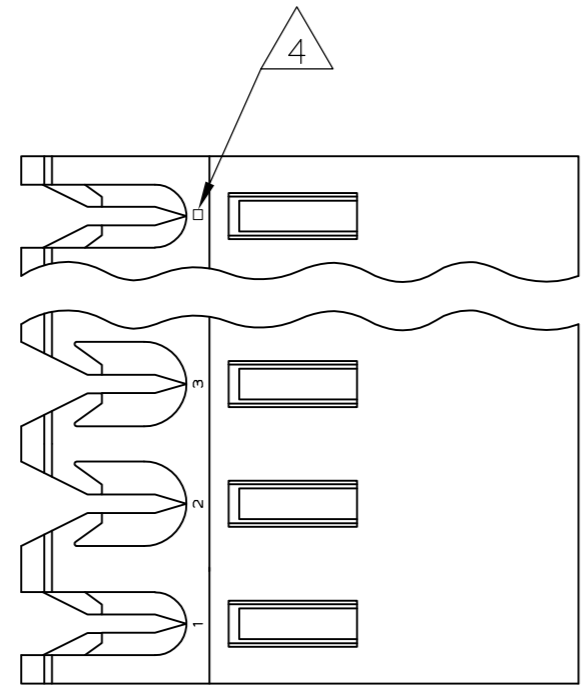


THIS DRAWING IS UNPUBLISHED. RELEASED FOR PUBLICATION  
 © COPYRIGHT - TE Connectivity Ltd. ALL RIGHTS RESERVED.

REVISIONS				
P	LTR	DESCRIPTION	DATE	APVD
C		REVISED PER ECR-17-018264	22JAN2018	BDA SG



SEE DETAIL A FOR CIRCUIT CLOSED

1 MATERIAL: CONNECTOR- NYLON UL94V-2 (RED).  
 CONTACTS- 0.30[.012] THICK COPPER ALLOY BRIGHT TIN-LEAD  
 0.00203[.000080] MIN THICK FOR -2 THRU -28  
 -0.30[.012] THICK COPPER ALLOY MATTE WHISKER  
 MITIGATED TIN 0.00203[.000080] MIN THICKNESS  
 OVER NICKEL UNDERPLATE FOR -32 THRU -58.

- 2. CONTACTS ACCEPT 22 AWG WIRE WITH 2.41[.095] MAX INSULATION DIAMETER.
- 3. CONTACTS MUST ACCEPT 1.14±0.03[.045±.001] SQUARE POST AND REMAIN LOCKED IN POSITION.
- 4 IDENTIFICATION NUMBER FOR LAST CIRCUIT MAY NOT APPEAR ON ALL ASSEMBLIES.
- 5. DIMENSIONS IN BRACKETS ARE IN INCHES.

6. HOUSING FEATURES ARE: FEED-THRU WITHOUT LOCKING RAMP.

7 DETAIL "A" SHOWS A CIRCUIT MOLDED CLOSED.

8 OBSOLETE PARTS.

FINISH	DIM A	NO OF CIRCUITS	PART NO
TIN	19.81 [.780]	5	3-647174-5
<del>8 SUPERSEDED TIN-LEAD</del>	<del>19.81 [.780]</del>	<del>5</del>	<del>-647174-5</del>

THIS DRAWING IS A CONTROLLED DOCUMENT.		DWN B.LEWIS 06JAN98	TE Connectivity Ltd.	
DIMENSIONS: mm [INCHES]		CHK R.SWING 06JAN98		
TOLERANCES UNLESS OTHERWISE SPECIFIED:		APVD C.JONES 06JAN98	NAME	
0 PLC ± -		PRODUCT SPEC	MTA-156 CONNECTOR ASSEMBLY, 22 AWG, NO. 4 CIRCUIT CLOSED SPECIAL	
1 PLC ± -		APPLICATION SPEC	SIZE	CAGE CODE
2 PLC ± -		108-1051	A2	00779
3 PLC ± 0.13[.005]		114-1020	DRAWING NO	RESTRICTED TO
4 PLC ± -		WEIGHT -	C=647174	-
ANGLES ± -		MATERIAL 1	SCALE 4:1	SHEET 1 OF 1
FINISH 1		CUSTOMER DRAWING	REV C	

单击下面可查看定价，库存，交付和生命周期等信息

[>>TE Connectivity\(泰科\)](#)