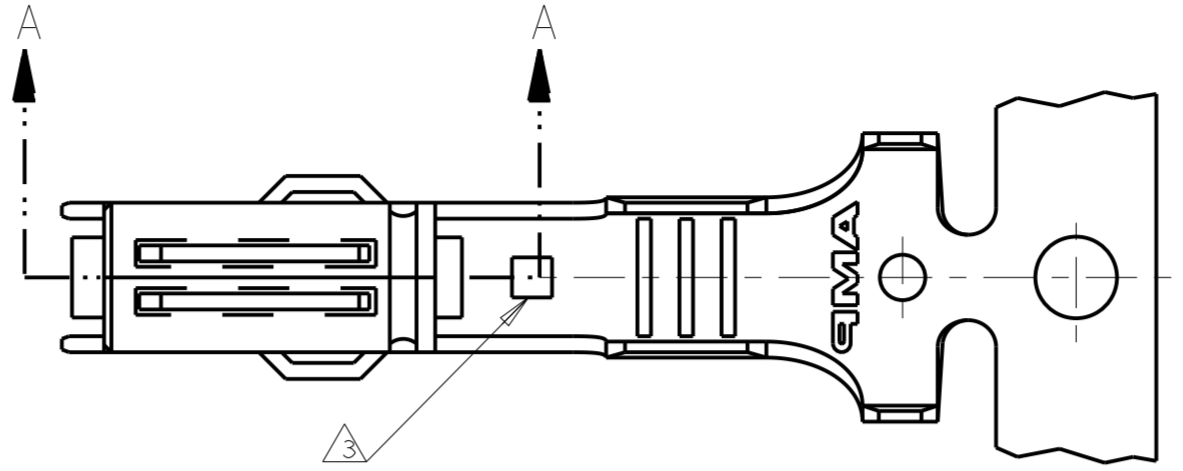
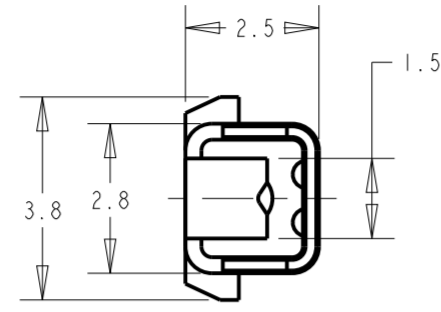


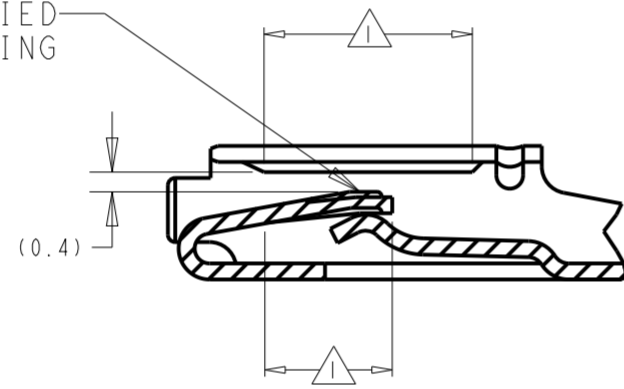
THIS DRAWING IS UNPUBLISHED. RELEASED FOR PUBLICATION  
 © COPYRIGHT - BY - ALL RIGHTS RESERVED.

REVISIONS				
P	LTR	DESCRIPTION	DATE	APVD
H5		REVISED PER ECO-16-011163	08SEP2016	DD AH
H6		REVISED PER ECO-17-014752	11OCT2017	JMS AH
W		REVISED PER ECO-21-002133	15APR2021	SM AH

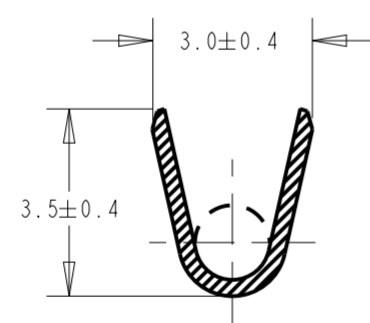
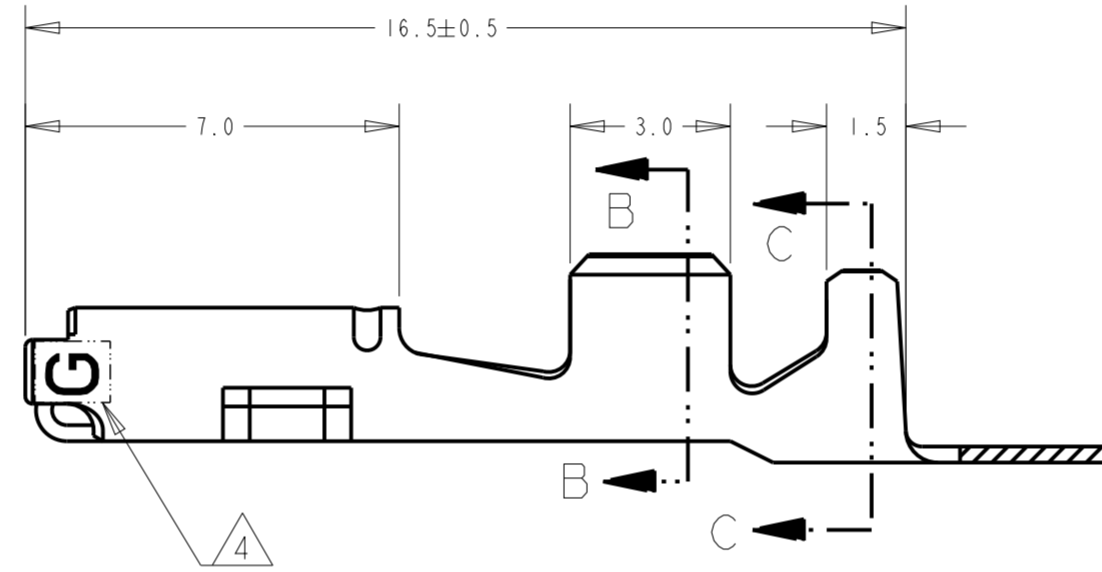


- ① 0.00076 MINIMUM THICK GOLD PLATE OVER 0.0013 MINIMUM NICKEL PLATE.
- ② 0.0008 MINIMUM THICK PRE-TIN.
- ③ 0.75 x 0.75 DIE IDENTIFICATION MARK.
- ④ FOR GOLD PLATED PART ONLY - AT LEAST ONE "G" INDICATOR MUST BE VISIBLE IN THIS LOCATION ON EITHER SIDE INDICATING GOLD PLATED CONTACT

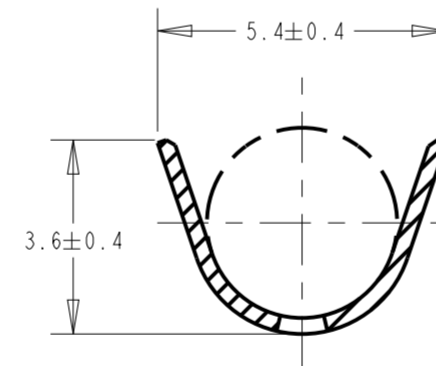
GOLD PLATING IDENTIFIED IS ON TOP SPRING



SECTION A-A



SECTION B-B



SECTION C-C

②	1.2 - 2.7	AVS 0.5 - 2.0mm <sup>2</sup> (#20 - #14 AWG)	184030-3
①	1.2 - 2.7	AVS 0.5 - 2.0mm <sup>2</sup> (#20 - #14 AWG)	184030-1
FINISH	INSULATION DIA	WIRE RANGE	PART NUMBER

THIS DRAWING IS A CONTROLLED DOCUMENT.		DWN KD LYLE 7/07/94	TE Connectivity	
		CHK JP KUNKLE 7/26/94		
DIMENSIONS: mm		APVD JP KUNKLE 7/26/94	NAME CONTACT, RECEPTACLE, .070 TYPE	
TOLERANCES UNLESS OTHERWISE SPECIFIED:		PRODUCT SPEC	SIZE CAGE CODE DRAWING NO RESTRICTED TO	
0 PLC ±-		APPLICATION SPEC	A200779 C-184030	
1 PLC ±0.3		WEIGHT	SCALE 10:1 SHEET 1 OF 1 REV W	
2 PLC ±0.3		CUSTOMER DRAWING		
3 PLC ±-				
4 PLC ±-				
ANGLES ±-				
FINISH ±-				
MATERIAL PHOS BRZ (0.3 THK)				

单击下面可查看定价，库存，交付和生命周期等信息

[>>TE Connectivity\(泰科\)](#)