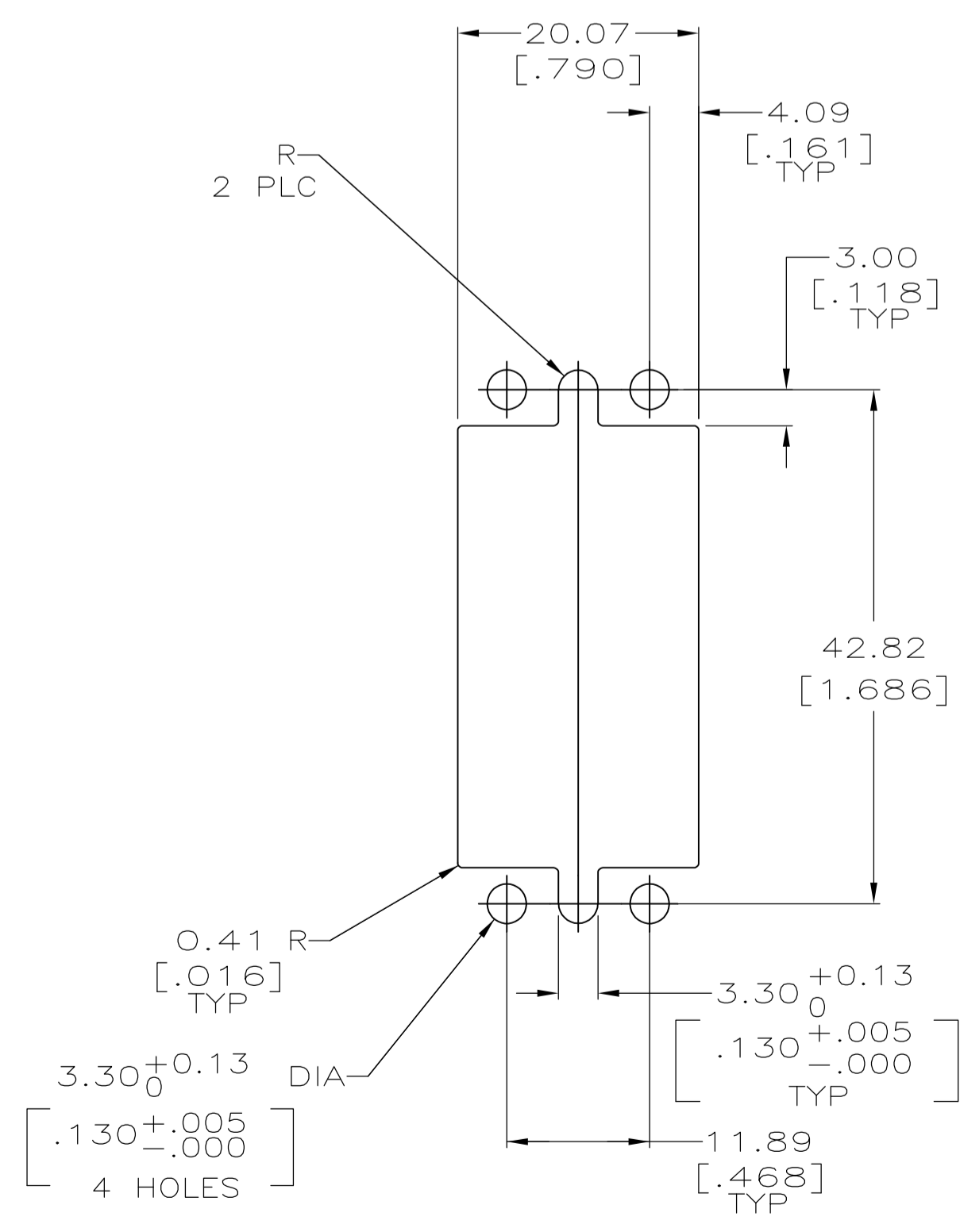
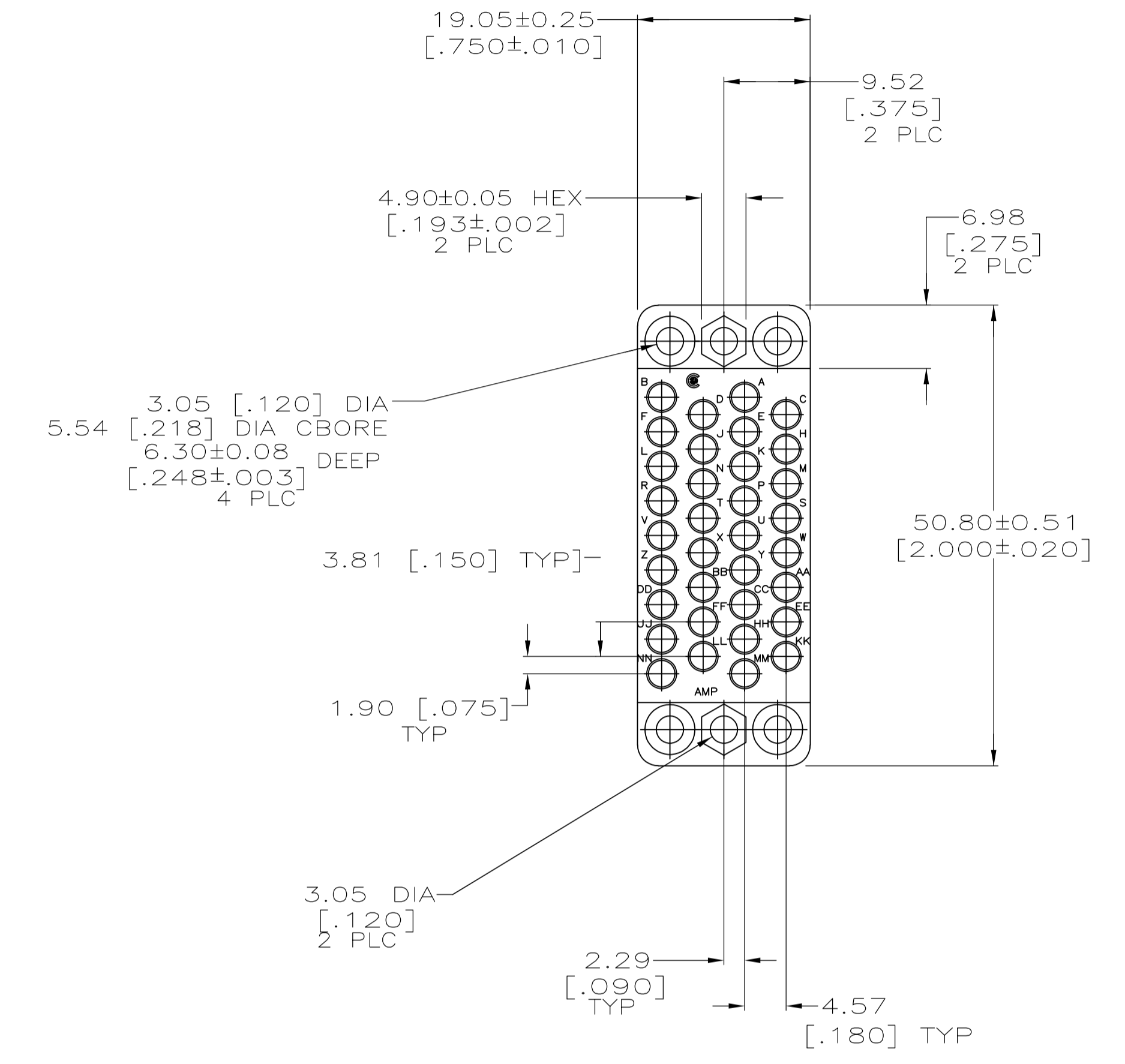
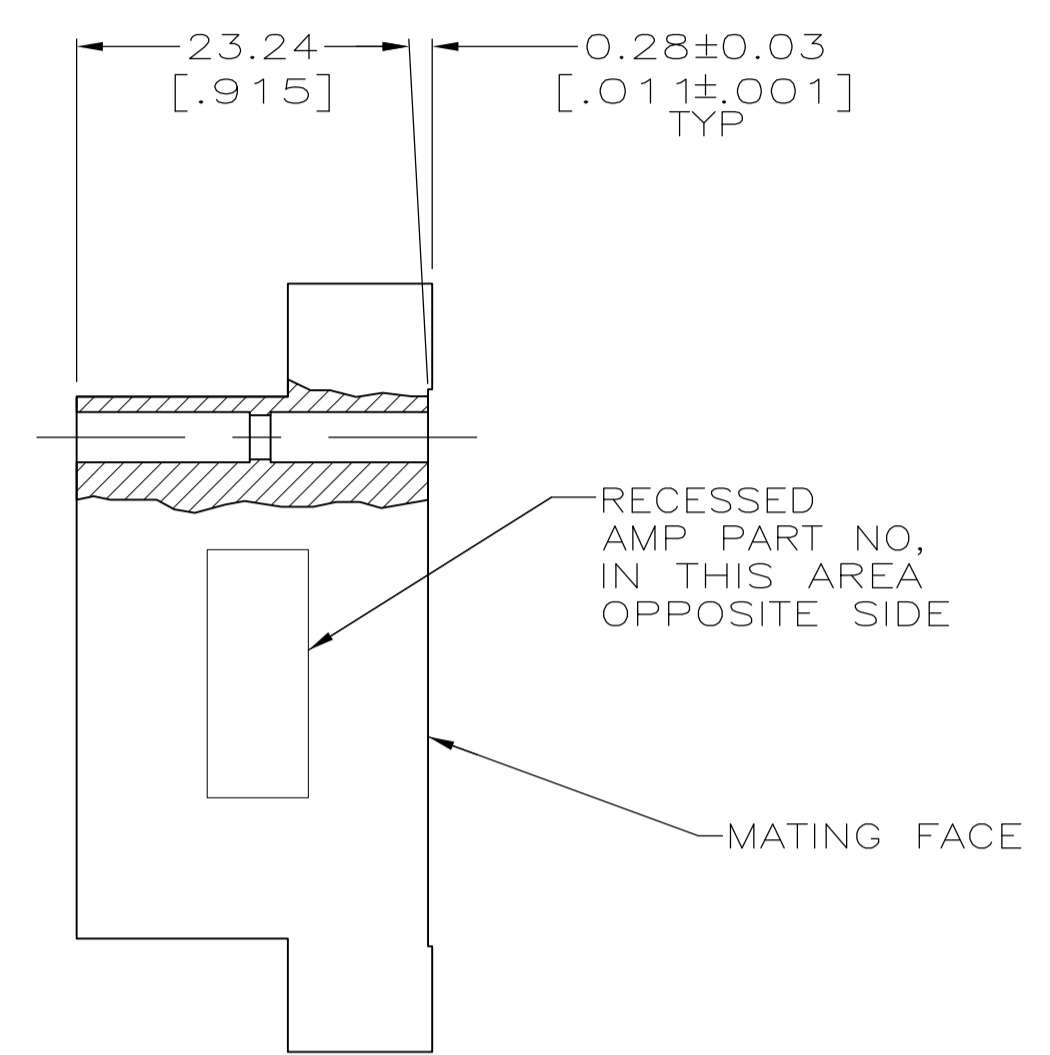
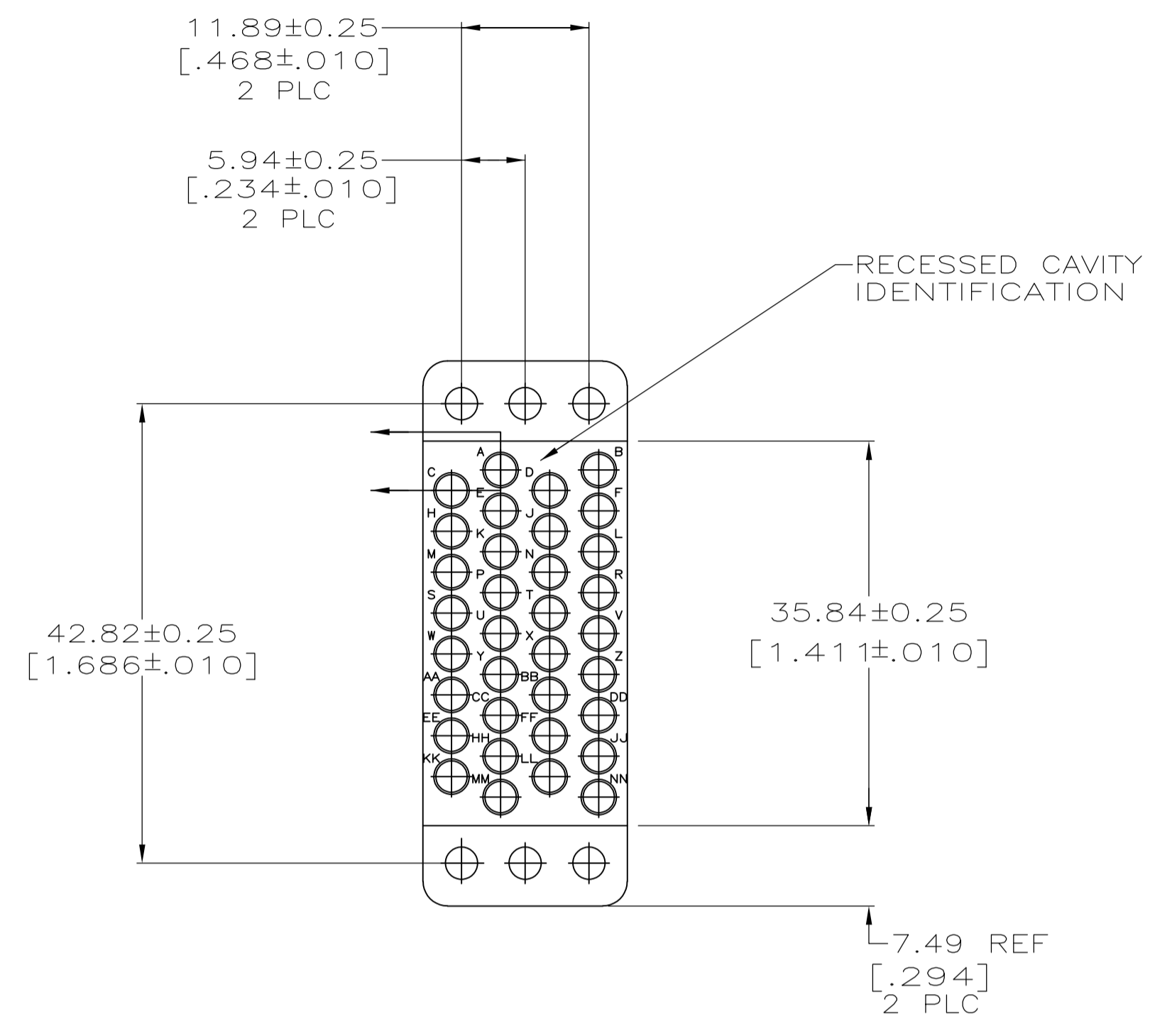


LOC		DIST		REVISIONS			
P	LTR	DESCRIPTION	DATE	DN	APVD		
A		REVISED PER ECO-07-018540	8/17/07	SS	GS		
A1		REVISED PER ECO-09-021826	07JAN10	KK	AEG		



RECOMMENDED PANEL CUTOUT

1 OBSOLETE PARTS: OBSOLETE CIS STREAMLINING PER D.RENAUD/D.SINISI

213800-2
~~213800-1~~
 PART NUMBER

THIS DRAWING IS A CONTROLLED DOCUMENT.		D. BROCKWAY 08-11-94		Tyco Electronics Corporation	
DIMENSIONS: INCHES		R. STONE 09-08-94		Tyco Electronics Corporation Harrisburg, PA 17105-3608	
TOLERANCES UNLESS OTHERWISE SPECIFIED:		APVD		NAME	
0 PLC ± -		-		PRODUCT SPEC	
1 PLC ± -		-		APPLICATION SPEC	
2 PLC ± 0.13 [.005]		-		SIZE	
3 PLC ± -		-		CAGE CODE	
4 PLC ± -		-		DRAWING NO	
ANGLES ± -		-		RESTRICTED TO	
MATERIAL POLYESTER, BLACK		FINISH -		WEIGHT -	
		A1 00779		C=213800	
CUSTOMER DRAWING		SCALE 2:1		SHEET 1 OF 1	
				REV A1	

单击下面可查看定价，库存，交付和生命周期等信息

[>>TE Connectivity\(泰科\)](#)