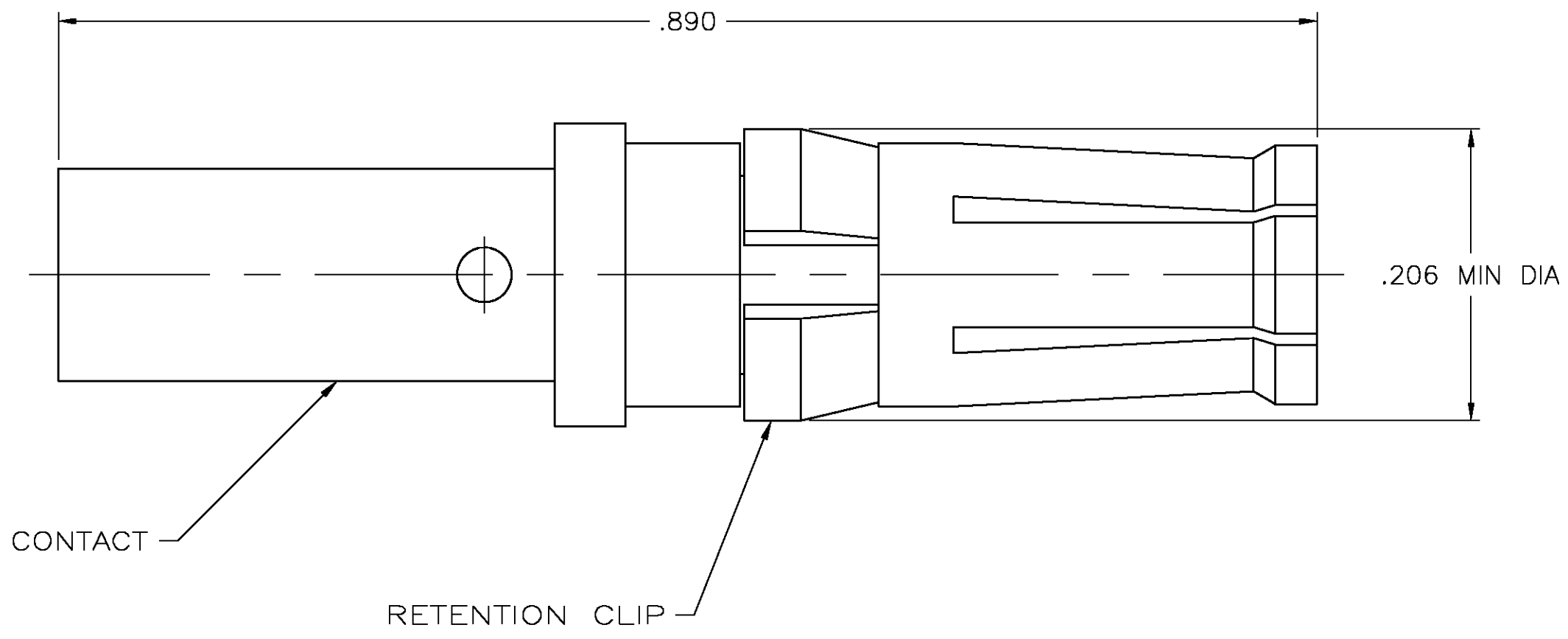


THIS DRAWING IS UNPUBLISHED. RELEASED FOR PUBLICATION
 © COPYRIGHT BY TYCO ELECTRONICS CORPORATION. ALL RIGHTS RESERVED.

LOC	DIST	REVISIONS					
FT	0	P	LTR	DESCRIPTION	DATE	DWN	APVD
			B	REVISED PER 0G3B-0008-04	1/12/04	SS	GS



213910-1
 PART NUMBER

- ① CONTACT: BERYLLIUM COPPER.
RETENTION CLIP: PHOSPHOR BRONZE.
- ② CONTACT: 0.76µm [.000030] MIN GOLD OVER
1.27µm [.000050] MIN NICKEL.
RETENTION CLIP: 2.54µm [.000100] MIN NICKEL.
- 3. WIRE BARREL WILL ACCEPT 12-14 AWG WIRE.

THIS DRAWING IS A CONTROLLED DOCUMENT.		DWN	D.HARDY	20 OCT 95	Tyco Electronics Corporation Harrisburg, PA 17105		
DIMENSIONS: INCHES		CHK	W.G.LENKER	20 OCT 95			
TOLERANCES UNLESS OTHERWISE SPECIFIED:		APVD	M.McALONIS	23 OCT 95	NAME		
0 PLC ± - 1 PLC ± - 2 PLC ± - 3 PLC ± .005 4 PLC ± - ANGLES ± -		PRODUCT SPEC		CONTACT ASSEMBLY, SOCKET, POWER VIII, METRIMATE			
MATERIAL		APPLICATION SPEC		SIZE			RESTRICTED TO
- ①		FINISH		114-10014		CAGE CODE	00779
- ②		CUSTOMER DRAWING		WEIGHT		DRAWING NO	C-213910
				SCALE		SHEET	1 OF 1
				10:1		REV	B

单击下面可查看定价，库存，交付和生命周期等信息

[>>TE Connectivity\(泰科\)](#)