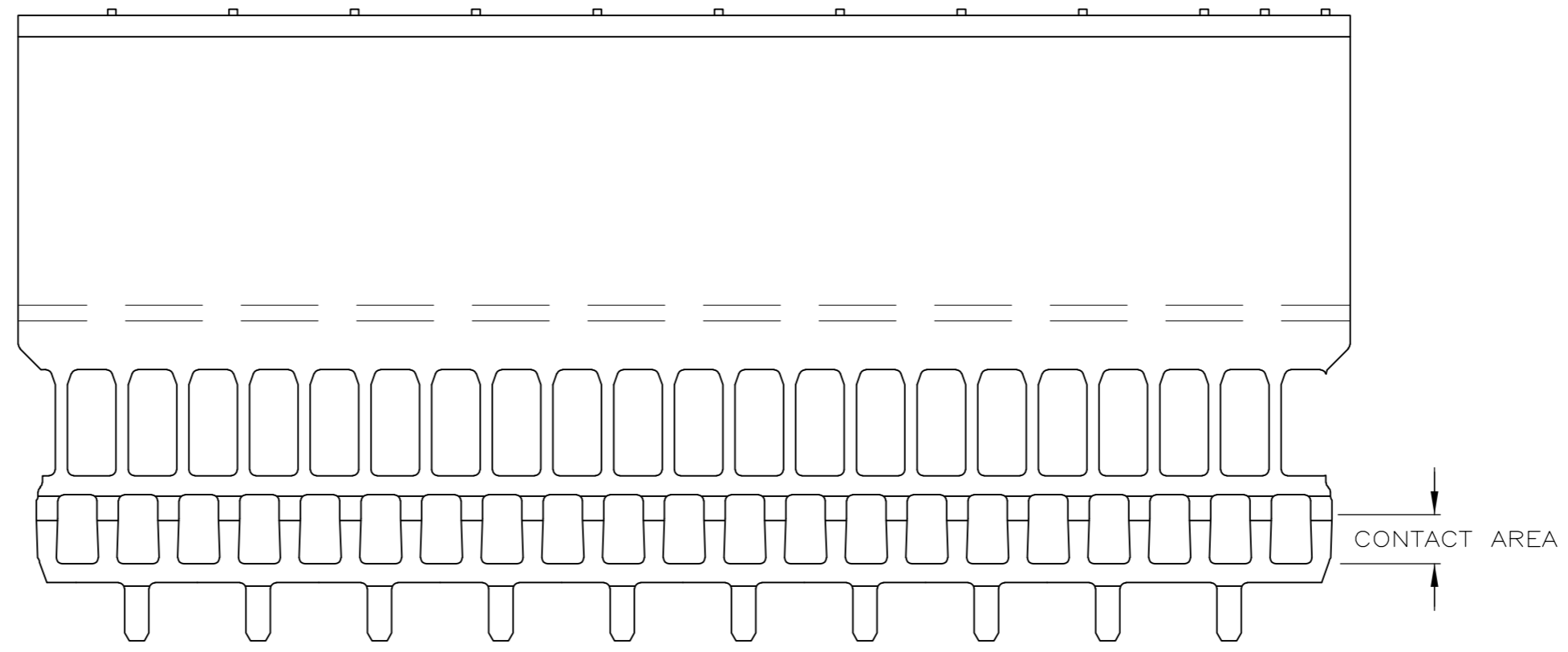
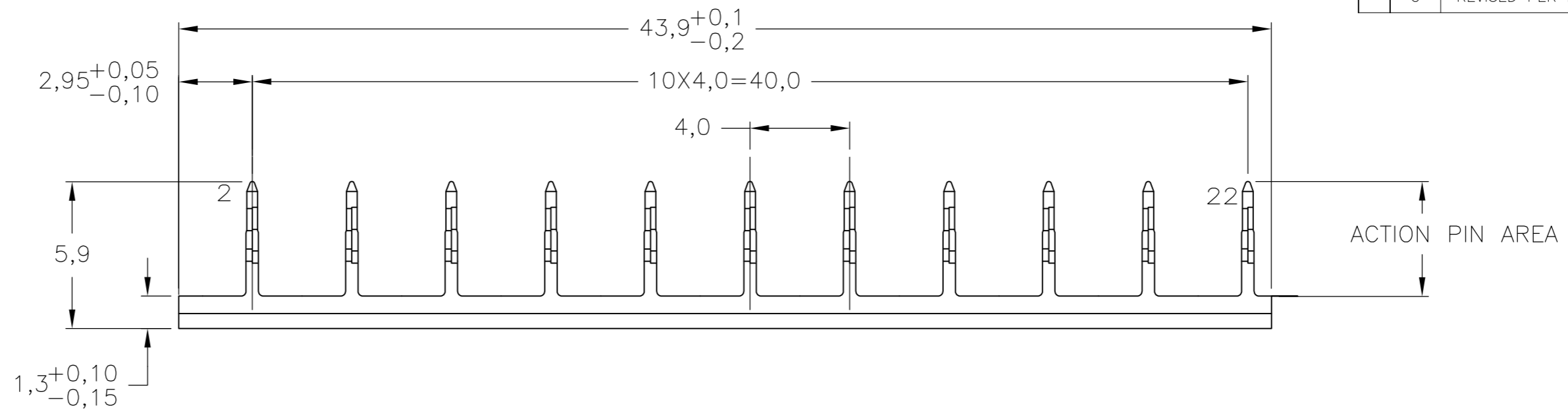
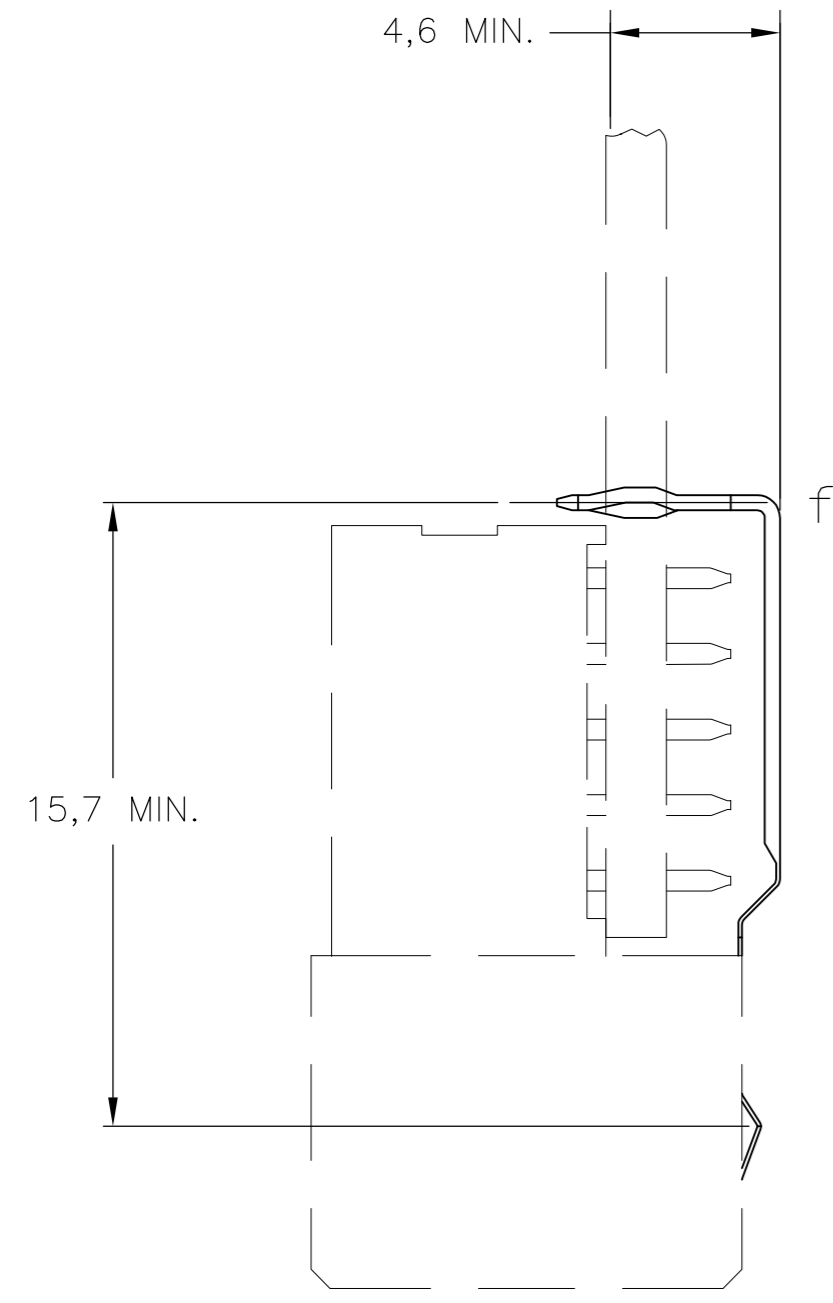


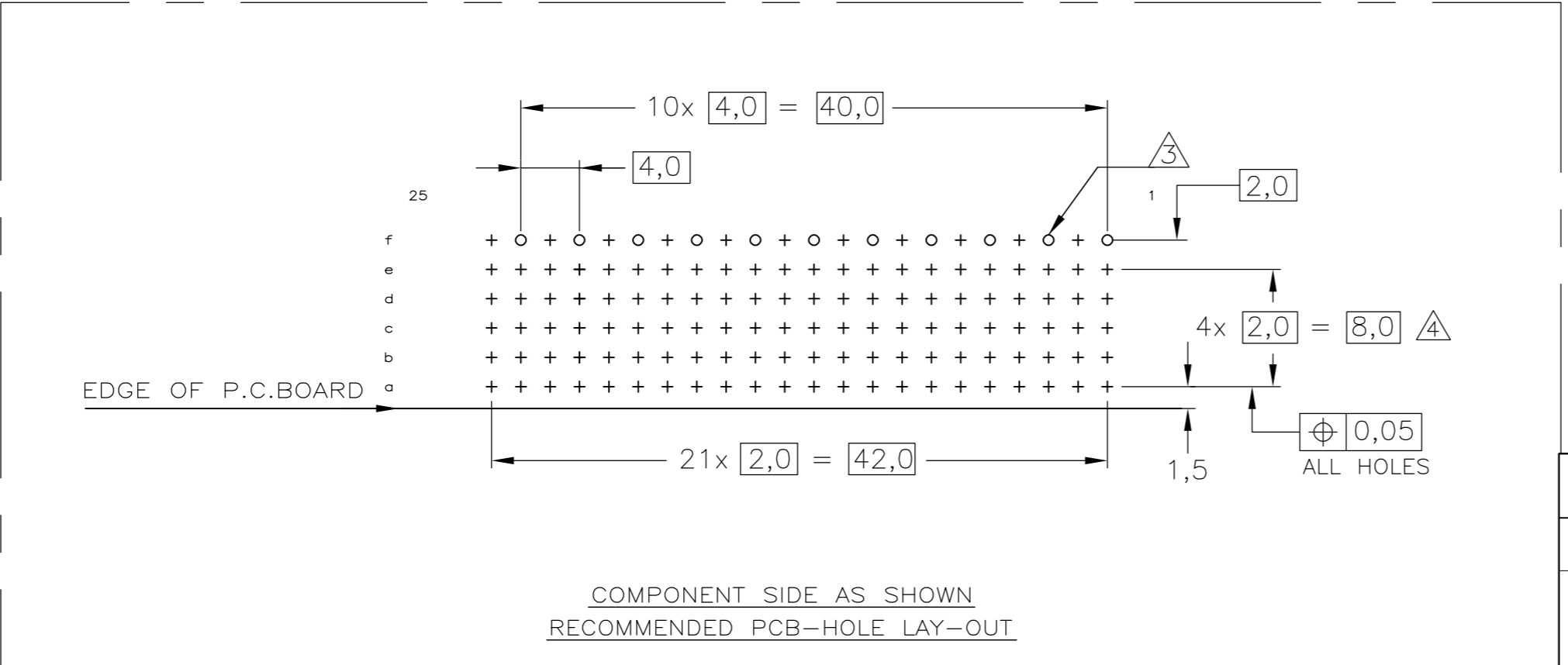
THIS DRAWING IS UNPUBLISHED. RELEASED FOR PUBLICATION
 © COPYRIGHT - By - ALL RIGHTS RESERVED.

REVISIONS				DATE	DWN	APVD
P	LTR	DESCRIPTION				
C		REVISED PER ECO-13-015151	16DEC2013	FL	FY	



NOTES:

- ⚠ GENERAL PLATING SPECIFICATION: UNDERPLATING (ENTIRE CONTACT): 1,27μm NICKEL MIN. AND ACTION PIN: 0,5μm TIN MIN. FOR PLATING OF MATING SURFACES SEE PERFORMANCE LEVEL SHOWN IN PART NUMBER TABLE.
- ⚠ MATERIAL; PHOSPHORBRONZE.
- ⚠ ROW "f" 11 PLATED THROUGH HOLES FOR LOWERSHIELD.
- ⚠ HOLE PATTERN FOR FEMALE CONNECTOR TYPE B-22 COLUMNS WITH UPPERSHIELD, 110+11 PLATED-THROUGH HOLES AT 2x2mm SQUARE GRID MAX. BOARD THICKNESS 3,5 mm.
- ⚠ SHIELDS LUBRICATED WITH BELLCORE APPROVED LUBRICANT. TECHNICAL REF: TR-NWT-001217 ISSUE 1, SEPT. 1992.
- ⚠ CONFORMS TO ALL TESTING ACCORDING IEC 61076-4-101 PERFORMANCE LEVEL 2.
- ⚠ CONFORMS TO ALL TESTING ACCORDING IEC 61076-4-101 PERFORMANCE LEVEL 1.
- ⚠ CONNECTOR TESTED AND QUALIFIED AGAINST TELCORDIA GR-1217-CORE QUALITY LEVEL III, CENTRAL OFFICE APPLICATIONS.
- ⚠ 0,76μm MIN GOLD PLATING AT MATING SURFACE.



FINISH	MATERIAL	PARTNUMBER
⚠ ⚠ ⚠	⚠	4-5352468-0
⚠ ⚠ ⚠	⚠	5352468-9
⚠ ⚠	⚠	5352468-2

THIS DRAWING IS A CONTROLLED DOCUMENT.		DWN B. Mooij 08-JUL-05	TE Connectivity	
DIMENSIONS: mm		CHK B. Mooij 08-JUL-05	Z-PACK 2mm HM GROUND RETURN LOWERSHIELD TYPE B-22 COLUMNS	
TOLERANCES UNLESS OTHERWISE SPECIFIED: 0-PLC ± - 1-PLC ± - 2-PLC ± - ±0.2 3-PLC ± - 4-PLC ± - ANGLES ± - FINISH		APVD J. Broeksteeg 08-JUL-05	NAME	
MATERIAL		PRODUCT SPEC 108-19082	SIZE A2	
		APPLICATION SPEC 114-19029	CAGE CODE 00779	
		WEIGHT -	DRAWING NO C=5352468	
		CUSTOMER DRAWING		RESTRICTED TO -
		SCALE 5:1		SHEET 1 of 1
				REV C

5352468

单击下面可查看定价，库存，交付和生命周期等信息

[>>TE Connectivity\(泰科\)](#)