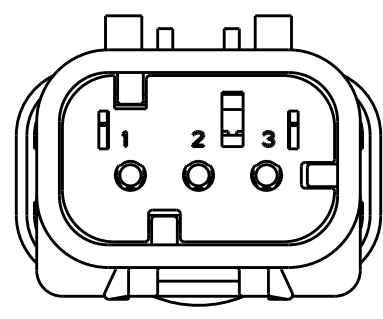
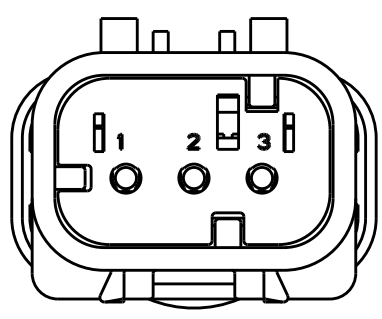


THIS DRAWING IS UNPUBLISHED. RELEASED FOR PUBLICATION
 © COPYRIGHT 20 BY - ALL RIGHTS RESERVED.

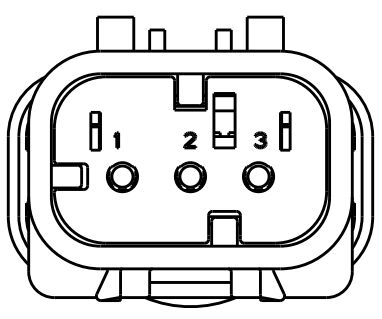
REVISIONS				
P	LTR	DESCRIPTION	DATE	APVD
E		REVISED PER ECO-13-019095	05DEC2013	DR RB



776430-2
SCALE 2:1
KEY B



776430-3
SCALE 2:1
KEY C



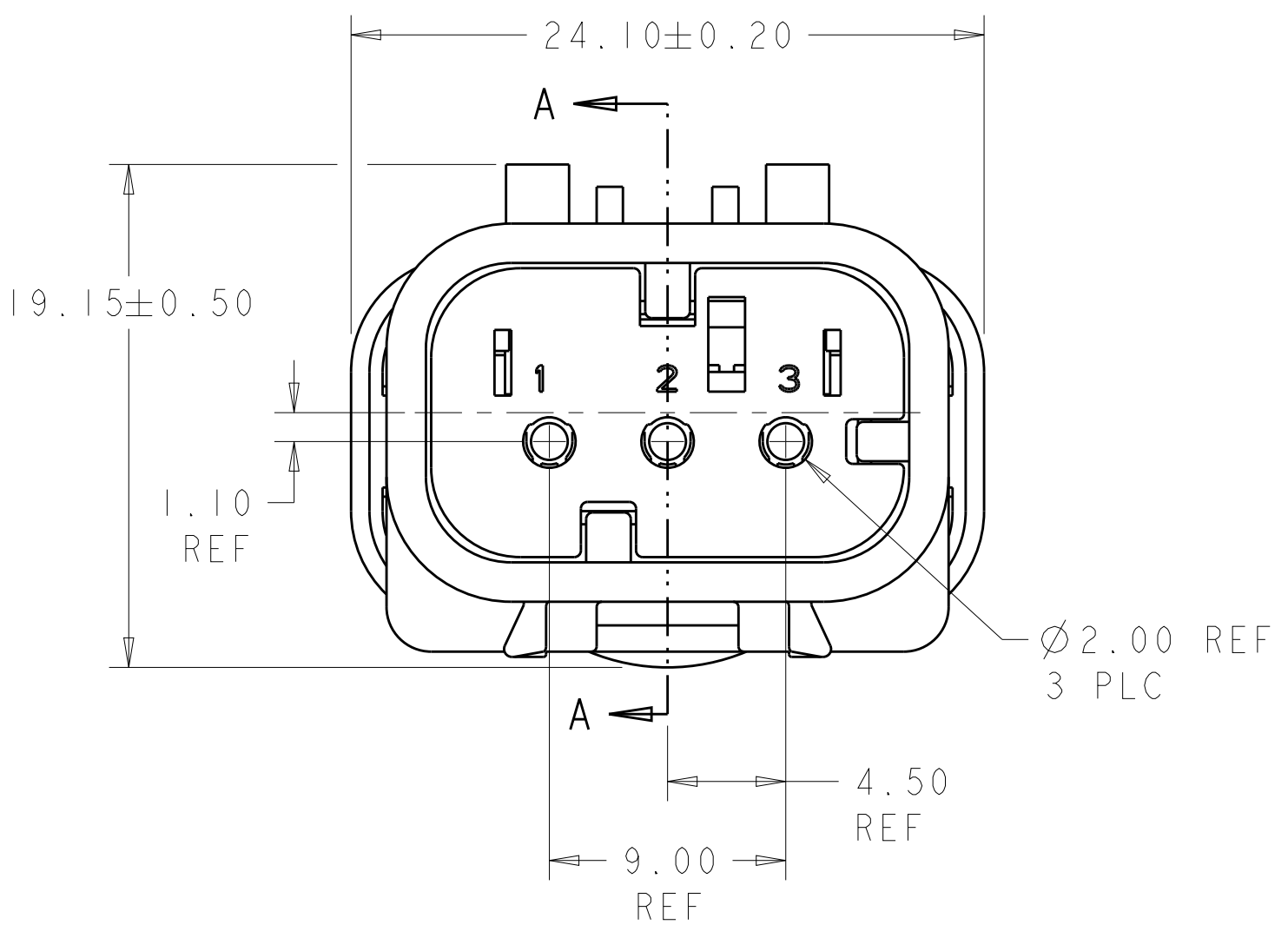
776430-4
SCALE 2:1
KEY D

1 MATERIAL: 15% GLASS FILLED THERMOPLASTIC
COLOR: BLACK

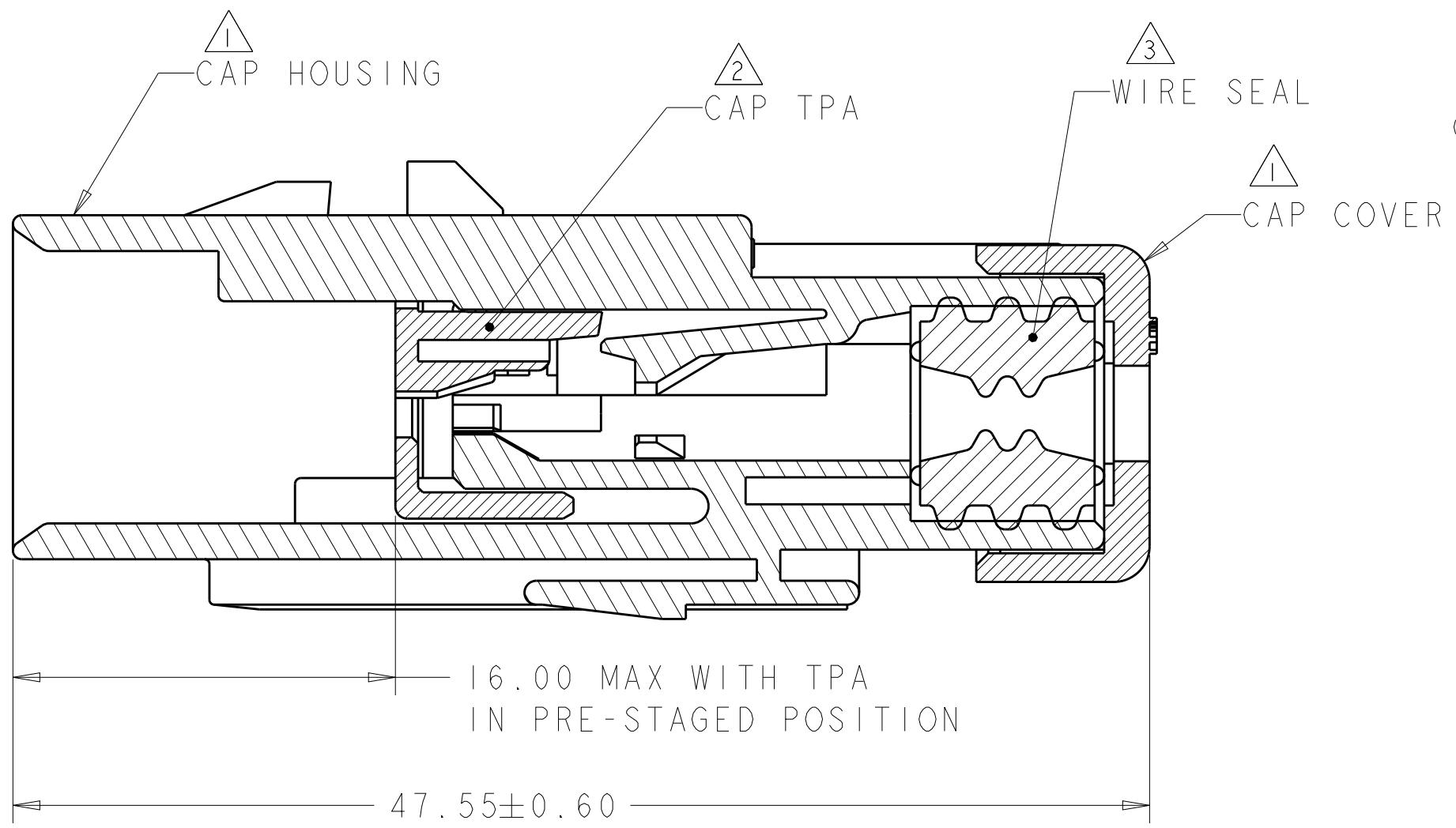
2 MATERIAL: 15% GLASS FILLED THERMOPLASTIC
COLOR: (SEE TABLE)

3 MATERIAL: SILICONE
COLOR: GREEN

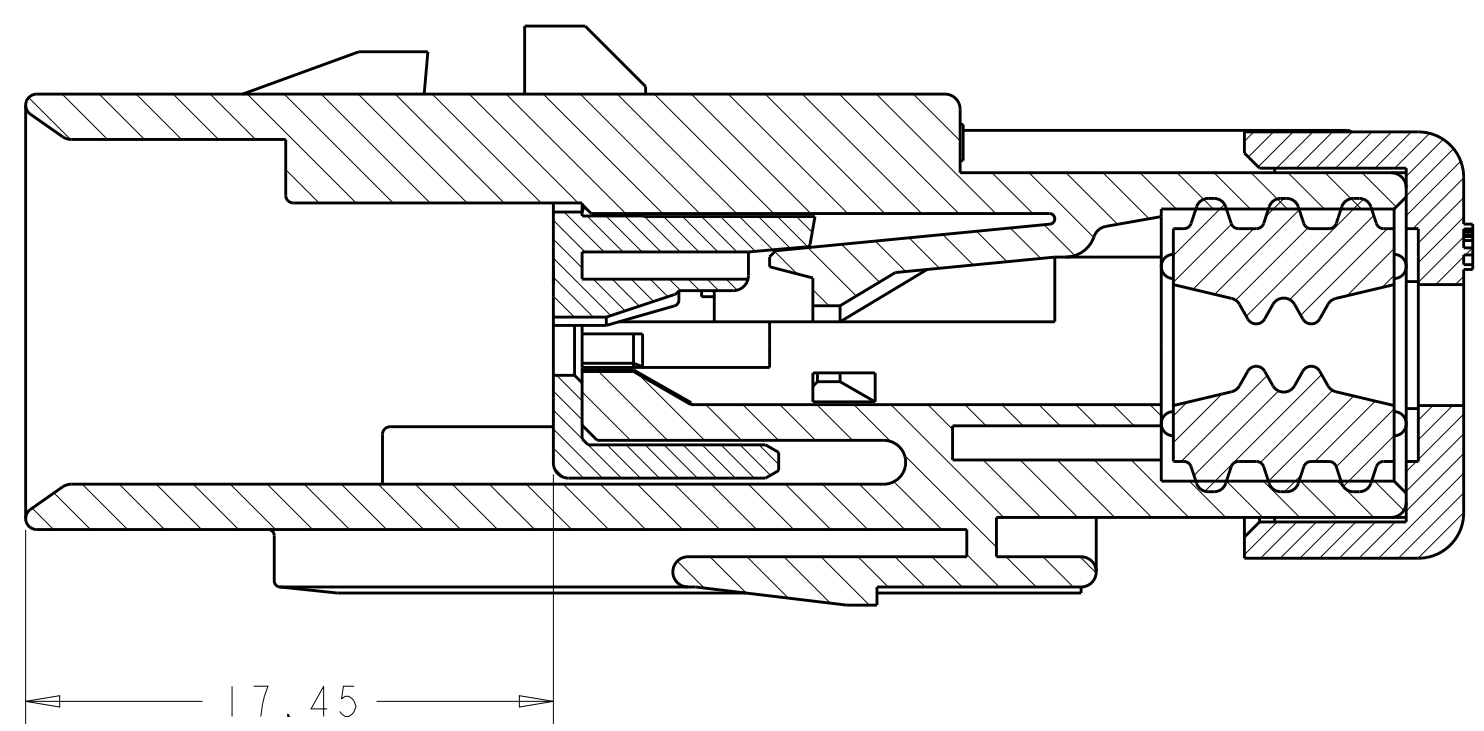
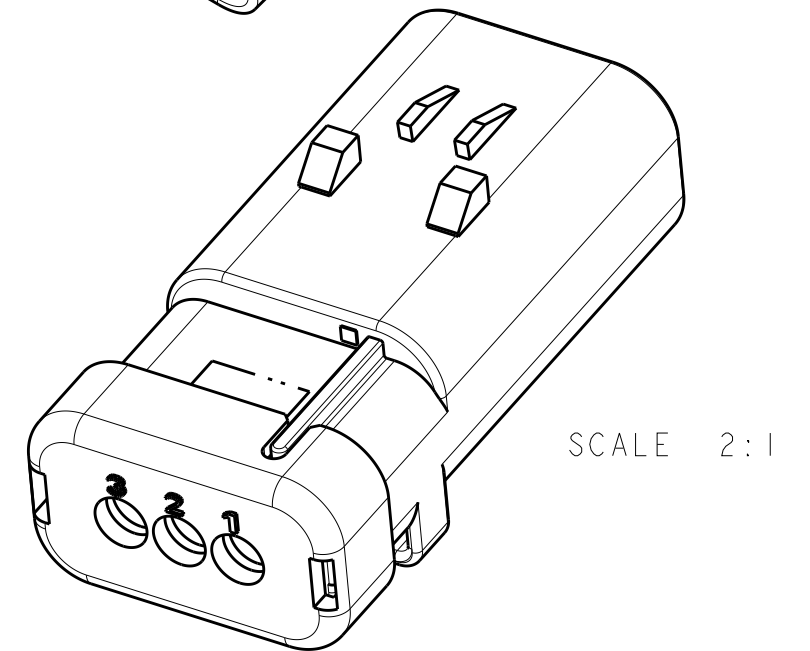
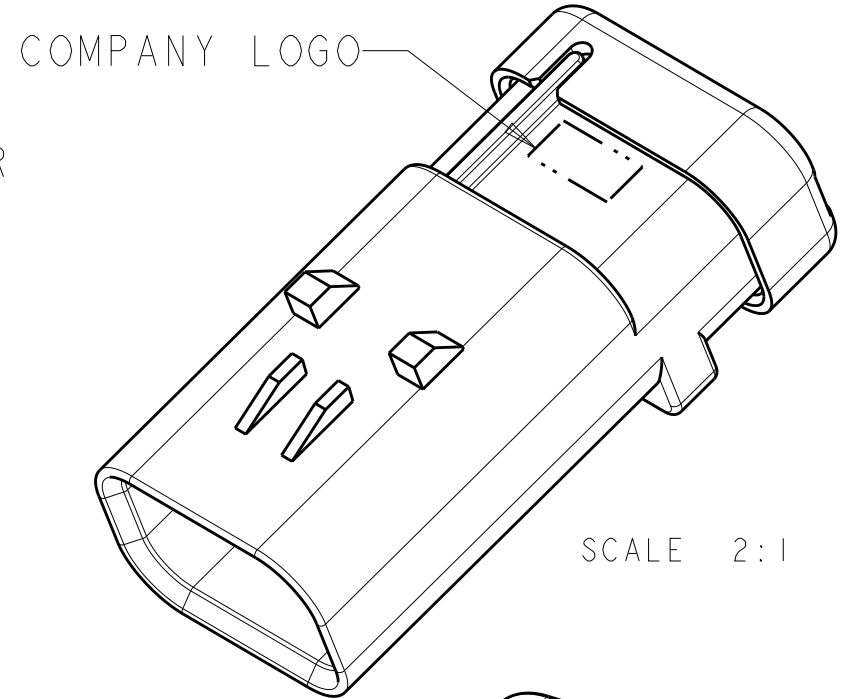
4. RECOMMENDED WIRE DIAMETER RANGE IS 2.18 TO 3.67mm.



776430-1 SHOWN
KEY A



SECTION A-A



SECTION A-A
WITH TPA IN CLOSED POSITION

D	GREEN	776430-4
C	YELLOW	776430-3
B	GRAY	776430-2
A	RED	776430-1
KEY	TPA COLOR	PART NUMBER

THIS DRAWING IS A CONTROLLED DOCUMENT.		DWN Y. PETERSON 22FEB00	TE Connectivity	
DIMENSIONS: mm		CHK R. GREINER 11DEC01		
TOLERANCES UNLESS OTHERWISE SPECIFIED:		APVD M. TRULLI 11DEC01	NAME	
0 PLC ±	1 PLC ±	PRODUCT SPEC	CAP ASSEMBLY, 3 POSITION, SINGLE ROW, AMPSEAL 16	
2 PLC ±	3 PLC ±	108-2184	SIZE	CAGE CODE
4 PLC ±	ANGLES ±	114-13065	A200779	G-776430
FINISH -	FINISH -	WEIGHT 10	DRAWING NO	RESTRICTED TO
MATERIAL -		Customer Drawing	SCALE 4:1	SHEET 1 OF 1
			REV E	

单击下面可查看定价，库存，交付和生命周期等信息

[>>TE Connectivity\(泰科\)](#)