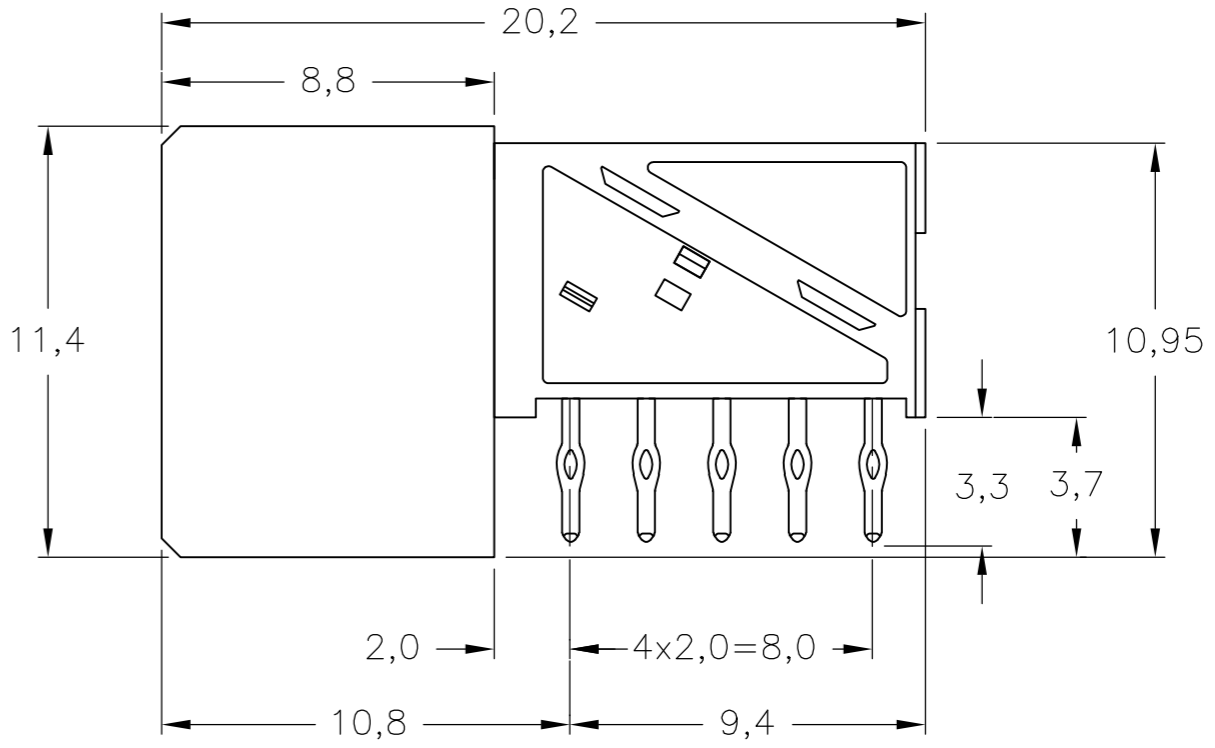
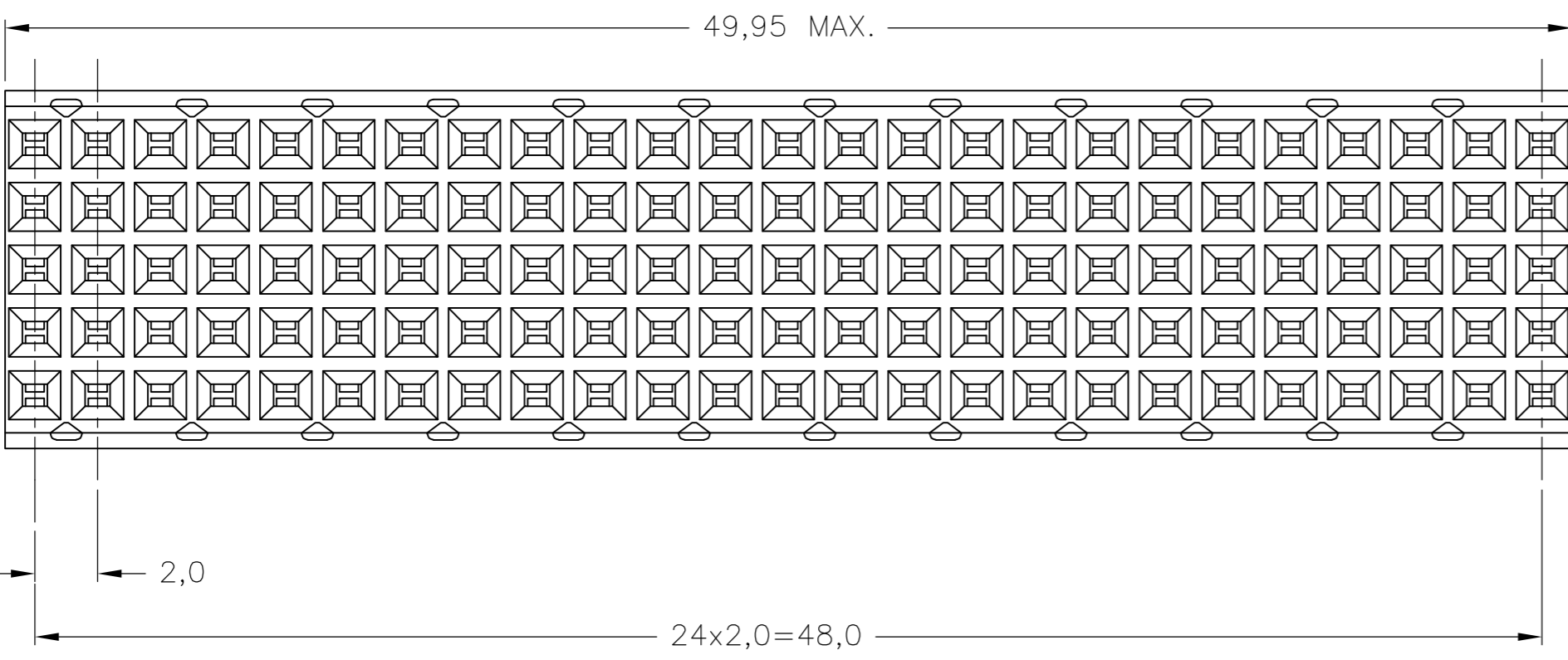
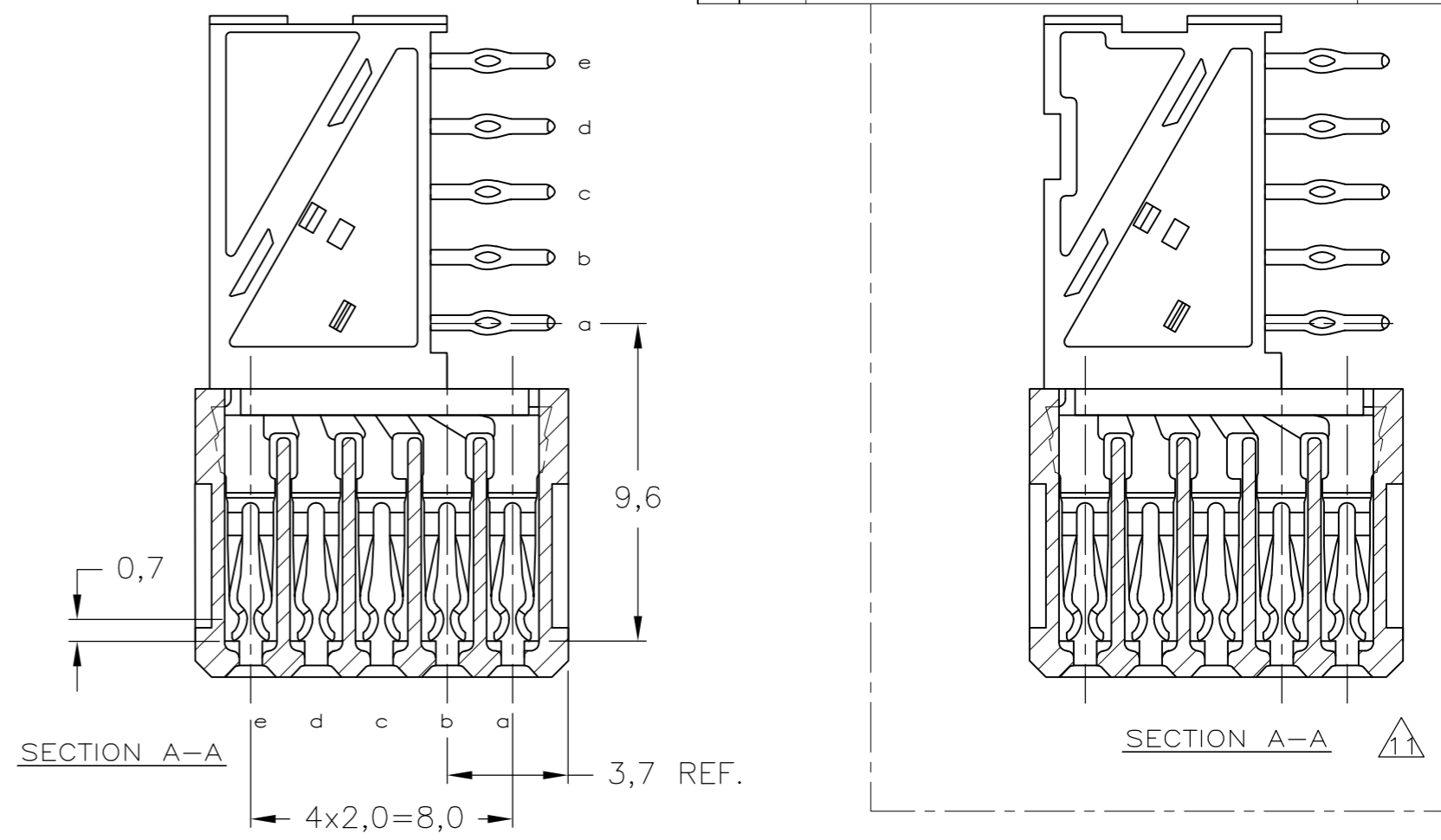
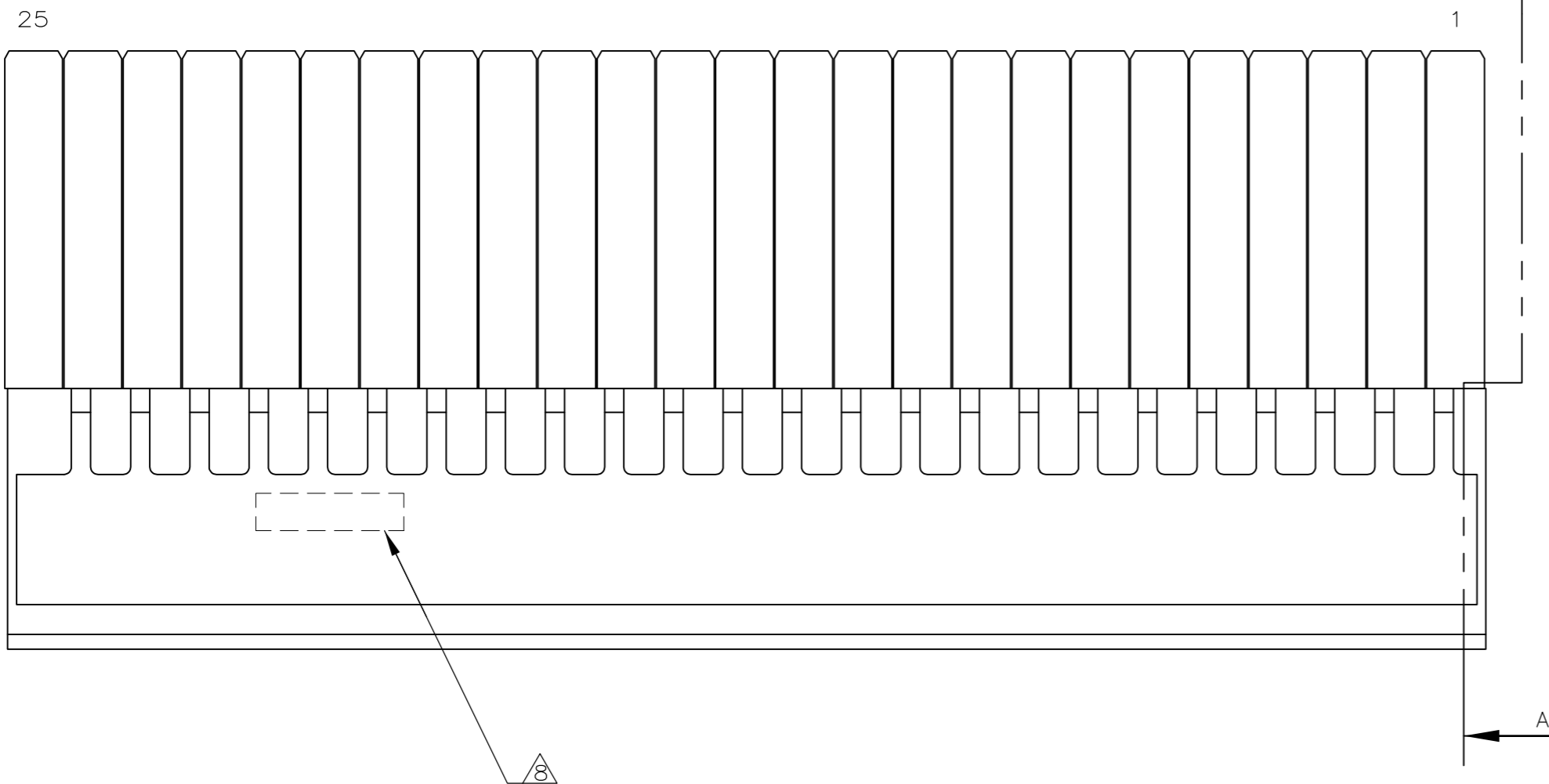
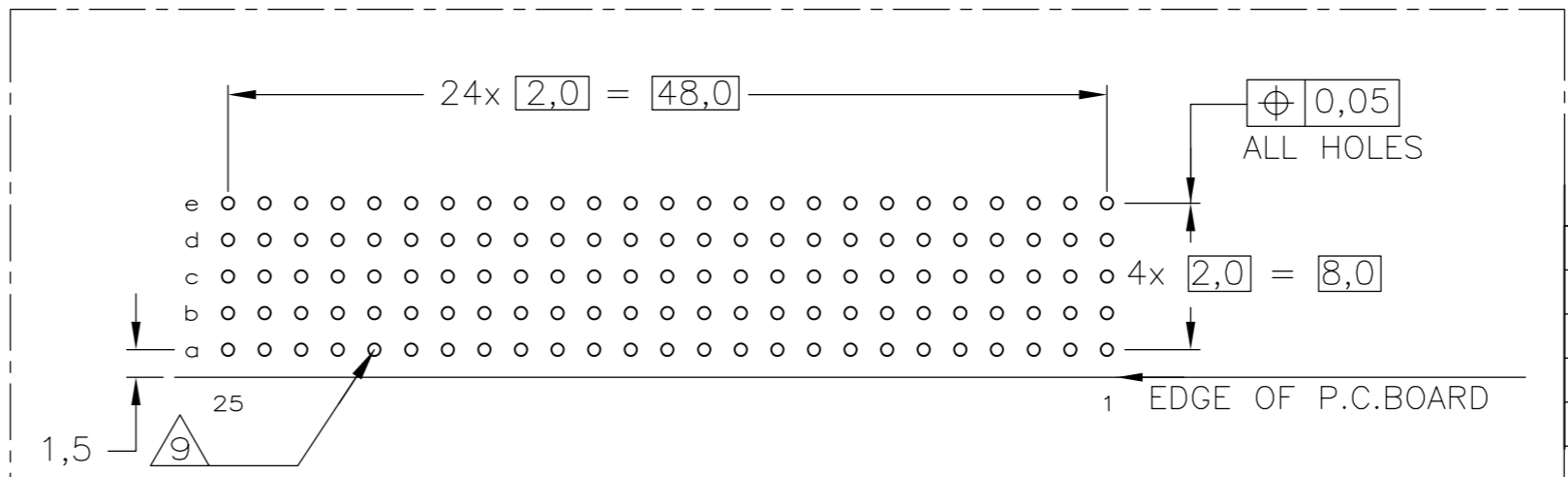


THIS DRAWING IS UNPUBLISHED. RELEASED FOR PUBLICATION
 © COPYRIGHT BY TYCO ELECTRONICS CORPORATION. ALL RIGHTS RESERVED.

LOC		DIST		REVISIONS			
P	LTR	DESCRIPTION	DATE	DWN	APVD		
C		ECO-11-024491	13DEC11	SY	MQW		



- NOTES:**
- 1 MATERIAL CONTACT; PHOSPHORBRONZE
MATERIAL HOUSING; GLASSFILLED POLYESTER (GRAY)
UL-RATING 94V0.
 - 2 GENERAL PLATING SPECIFICATION: UNDERPLATING (ENTIRE CONTACT): 1,27µm NICKEL MIN.
AND COMPLIANT PIN SECTION: 0,5µm TIN MIN.
FOR PLATING OF MATING SURFACES SEE APPLICABLE SPECIFICATION REFERENCE FOR EACH DASH NUMBER.
 - 3 CONFORMS TO ALL TESTING ACCORDING IEC 61076-4-101 PERFORMANCE LEVEL 2.
 - 4 CONFORMS TO ALL TESTING ACCORDING IEC 61076-4-101 PERFORMANCE LEVEL 1.
 - 5 CONNECTOR TESTED AND QUALIFIED AGAINST TELCORDIA GR-1217-CORE QUALITY LEVEL III, CENTRAL OFFICE APPLICATIONS.
 - 6 CONNECTOR TESTED AND QUALIFIED AGAINST TELCORDIA GR-1217-CORE QUALITY LEVEL III, UNCONTROLLED ENVIRONMENT APPLICATIONS.
 - 7 CONNECTOR LUBRICATED WITH TELCORDIA GR-1217-CORE APPROVED LUBRICANT.
 - 8 CONNECTOR PRINTED WITH PARTNUMBER AND DATECODE
THE MARKING CAN APPEAR ON THE FRONT SIDE OR ON THE BACK SIDE.
 - 9 PLATED-THROUGH HOLES AT 2x2mm SQUARE GRID. 125 HOLES
 - 10 FITS WITH INTEGRATED GROUND RETURN UPPERSHIELD, BASIC P.N. 5338109
AND INTEGRATED GROUND RETURN LOWERSHIELD, BASIC P.N. 5338110
 - 11 CONNECTOR ASSEMBLED WITH REDESIGNED CONTACTS.



SCALE 2,5:1
 COMPONENT SIDE AS SHOWN
 RECOMMENDED PCB-HOLE LAY-OUT

P.C.B. HOLE DIM. COMPLIANT PIN
 FOR DETAILS SEE APPLICATION SPECIFICATION

THIS DRAWING IS A CONTROLLED DOCUMENT.		DWN	J.van Hoek	23AUG2007	Tyco Electronics Corporation 's-Hertogenbosch,5222AR-32		
DIMENSIONS: mm		CHK	J.Broeksteeg	23AUG2007	NAME		
TOLERANCES UNLESS OTHERWISE SPECIFIED:		APVD	B.Mooij	23AUG2007	PRODUCT SPEC		
0-PLC ± 1-PLC ± 2-PLC ± ±0.2 3-PLC ± 4-PLC ± ANGLES ±		APPLICATION SPEC		108-19082		Z-PACK 2mm HM TYPE B25 125 POS. FEMALE CONNECTOR	
MATERIAL		FINISH		WEIGHT	SIZE	CAGE CODE	DRAWING NO
-		-		-	A2	00779	C=1857990
CUSTOMER DRAWING				SCALE	4:1	SHEET	1 OF 1
				REV	C		

单击下面可查看定价，库存，交付和生命周期等信息

[>>TE Connectivity\(泰科\)](#)