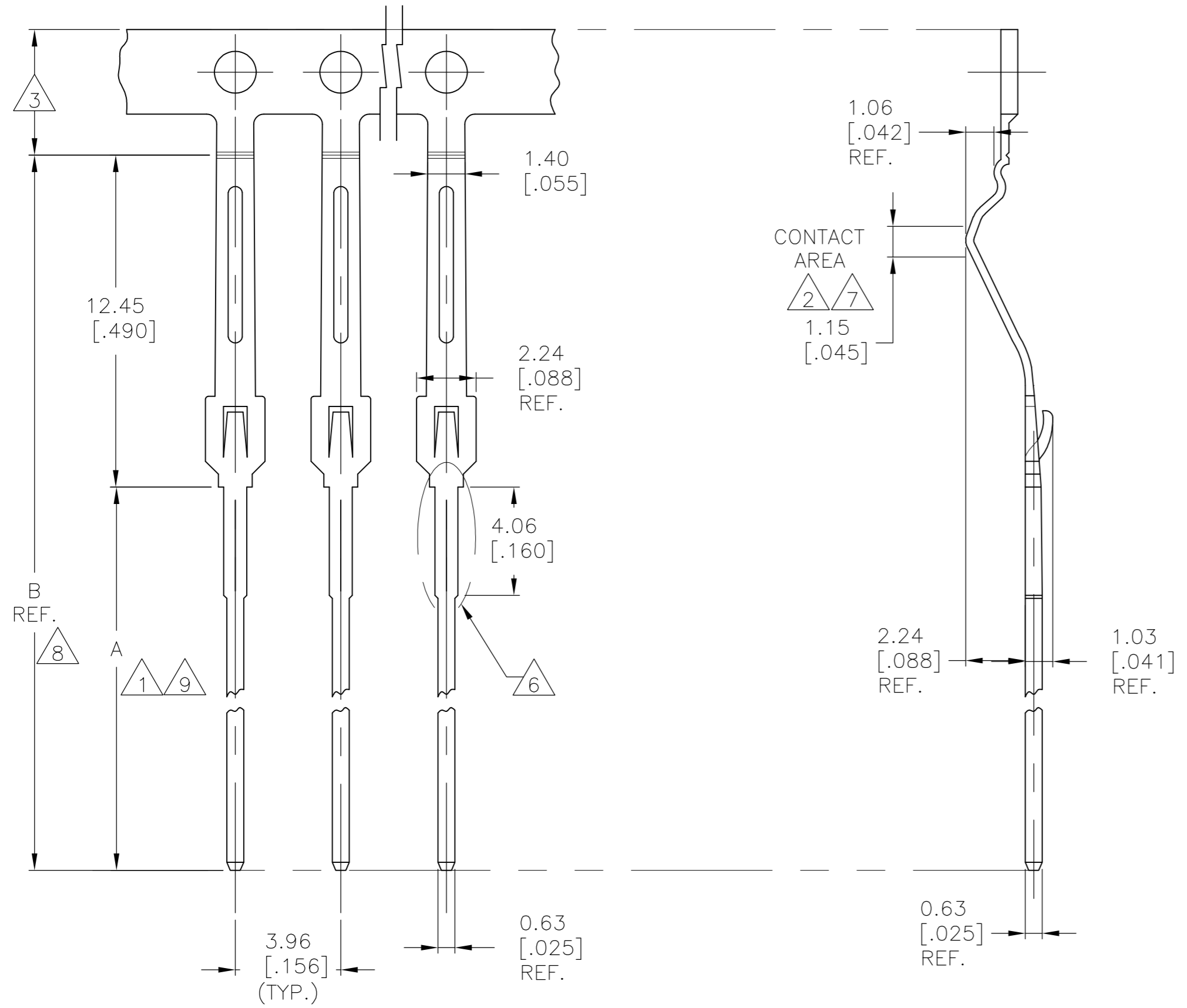
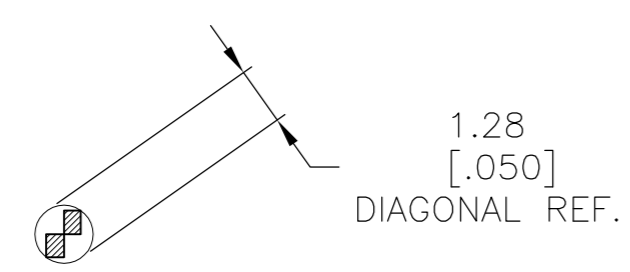


THIS DRAWING IS UNPUBLISHED. RELEASED FOR PUBLICATION
 © COPYRIGHT - By - ALL RIGHTS RESERVED.

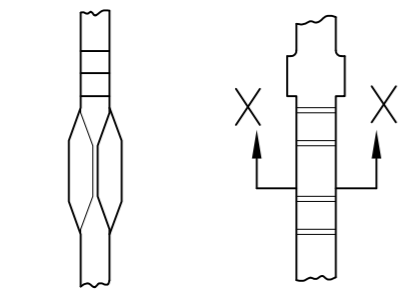
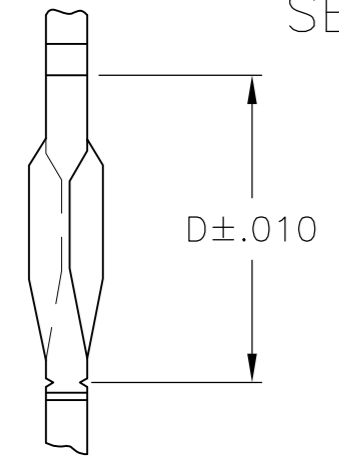
REVISIONS				
P	LTR	DESCRIPTION	DATE	APVD
L		REVISED PER ECO-15-015185	16NOV2016	SY SY



- 1 GOLD PLATE PER MIL-0-45204 .000001 MIN. THK. OVER NICKEL PLATE.
- 2 GOLD PLATE PER MIL-G-45204 .000015 MIN. THK. OVER NICKEL PLATE.
- 3 PLATING IS NOT RREQUIRED ON CARRIER STRIP.
- 4. POST DIAGONAL .0310/.0350 AFTER PLATING
- 5. QUANTITY PER REEL-25,000
- 6 ACTION PIN AREA.
- 7 GOLD PL. PER MIL-G-45204 .000030 MIN. THK. OVER NICKEL PL.
- 8 GOLD PL. PER QQ-N-290 .000050 MIN. THK.
- 9 SOLDER PL. .000100 MIN. THK. OVER NICKEL PL.
- 10 MATTE TIN PL. .000100 MIN. THK. OVER NICKEL PL.
- 11 OBSOLETE PARTS: OBSOLETE CIS STREAMLINING PER D.RENAUD/D.SINISI



SECTION "X"-"X"



NOTE:
 REFER TO AMP SPEC. 106-14018 OR 106-14019, AS APPLICABLE FOR SPECIFIC HOLE SIZE RECOMMENDATIONS.

OBSOLETE

COMB NO.	DETAIL C(D)	FINISH	B	A	PART NO.	
111	OBSOLETE	-	.160	$\begin{matrix} \triangle 7 & \triangle 8 & \triangle 10 \\ \triangle 7 & \triangle 8 & \triangle 10 \end{matrix}$.965 .475	-7-117285-3-
119328	-	-	.160	$\begin{matrix} \triangle 7 & \triangle 8 & \triangle 10 \\ \triangle 7 & \triangle 8 & \triangle 10 \end{matrix}$.965 .475	6-117285-8
-	-	UNPLATED	.160		.965 .475	2-117285-7
-	-	-	.405		1.192 .702	2- OBSOLETE -5
-	-	-	.190		.965 .475	2
-	-	-	.160		.965 .475	2
-	-	-	.415		1.192 .702	2- OBSOLETE -2
-	-	-	.200		.965 .475	2- OBSOLETE -1
119529	.160	-	.160		.965 .475	2
119330	-	-	.160		1.192 .702	1
119328	-	$\begin{matrix} \triangle 7 & \triangle 8 & \triangle 9 \\ \triangle 7 & \triangle 8 & \triangle 9 \end{matrix}$.160		.965 .475	1-117285-8

COMB NO.	DETAIL C(D)	FINISH	B	A	PART NO.
-	-	$\begin{matrix} \triangle 2 & \triangle 8 & \triangle 9 \\ \triangle 2 & \triangle 8 & \triangle 9 \end{matrix}$	1.192	.702	1- OBSOLETE -7
-	-	$\begin{matrix} \triangle 2 & \triangle 8 & \triangle 9 \\ \triangle 2 & \triangle 8 & \triangle 9 \end{matrix}$.965	.475	1-
-	-	$\begin{matrix} \triangle 2 & \triangle 8 & \triangle 9 \\ \triangle 2 & \triangle 8 & \triangle 9 \end{matrix}$.965	.475	1- OBSOLETE -5
-	-	$\begin{matrix} \triangle 2 & \triangle 8 & \triangle 9 \\ \triangle 2 & \triangle 8 & \triangle 9 \end{matrix}$	1.192	.702	1- OBSOLETE -4
.190		$\begin{matrix} \triangle 1 & \triangle 7 & \triangle 8 \\ \triangle 1 & \triangle 7 & \triangle 8 \end{matrix}$.965	.475	1
.160		$\begin{matrix} \triangle 1 & \triangle 7 & \triangle 8 \\ \triangle 1 & \triangle 7 & \triangle 8 \end{matrix}$.965	.475	1
.415		$\begin{matrix} \triangle 1 & \triangle 2 & \triangle 8 \\ \triangle 1 & \triangle 2 & \triangle 8 \end{matrix}$.965	.475	1- OBSOLETE -1
.200		$\begin{matrix} \triangle 1 & \triangle 2 & \triangle 8 \\ \triangle 1 & \triangle 2 & \triangle 8 \end{matrix}$.965	.475	1- OBSOLETE -0
.160		$\begin{matrix} \triangle 1 & \triangle 2 & \triangle 8 \\ \triangle 1 & \triangle 2 & \triangle 8 \end{matrix}$.965	.475	
-		$\begin{matrix} \triangle 1 & \triangle 7 & \triangle 8 \\ \triangle 1 & \triangle 7 & \triangle 8 \end{matrix}$	1.192	.702	117285-8
-		$\begin{matrix} \triangle 1 & \triangle 7 & \triangle 8 \\ \triangle 1 & \triangle 7 & \triangle 8 \end{matrix}$.965	.475	117285-7
-		$\begin{matrix} \triangle 1 & \triangle 2 & \triangle 8 \\ \triangle 1 & \triangle 2 & \triangle 8 \end{matrix}$	1.192	.702	117285-5
-		$\begin{matrix} \triangle 1 & \triangle 2 & \triangle 8 \\ \triangle 1 & \triangle 2 & \triangle 8 \end{matrix}$.965	.475	117285-2

DETAIL C

VIEW V

ACTION PIN AREA

THIS DRAWING IS A CONTROLLED DOCUMENT.

DIMENSIONS: mm [INCHES]	TOLERANCES UNLESS OTHERWISE SPECIFIED: 0 PLC ± - 1 PLC ± - 2 PLC ± - 3 PLC ± .010 4 PLC ± - ANGLES ± 5°	DWN - CHK - APVD -	NAME
MATERIAL COPPER-NICKEL-TIN ALLOY STRIP COPPER ALLOY NO.725 SPRING TEMPER	FINISH $\begin{matrix} \triangle 1 & \triangle 2 & \triangle 6 & \triangle 7 \\ \triangle 1 & \triangle 2 & \triangle 6 & \triangle 7 \end{matrix}$	PRODUCT SPEC - APPLICATION SPEC - WEIGHT 0	TE Connectivity CONTACT, ECONOMATE I (.156 X .200 CL.)
CUSTOMER DRAWING		SCALE 6:1	SHEET 1 OF 1

单击下面可查看定价，库存，交付和生命周期等信息

[>>TE Connectivity\(泰科\)](#)