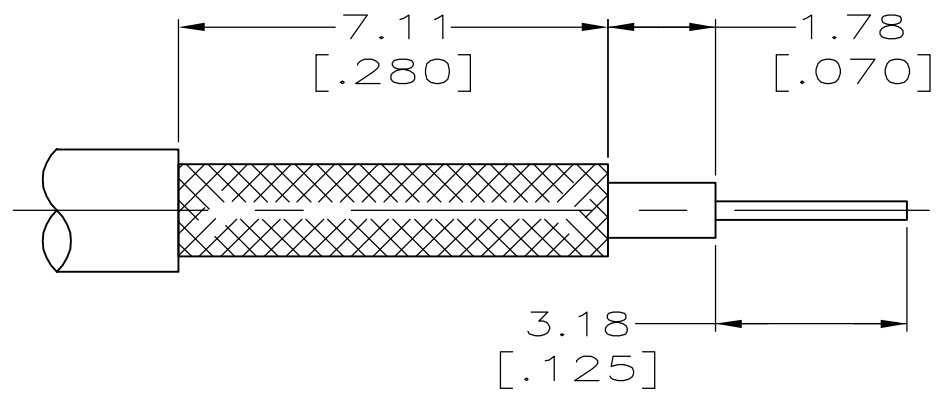


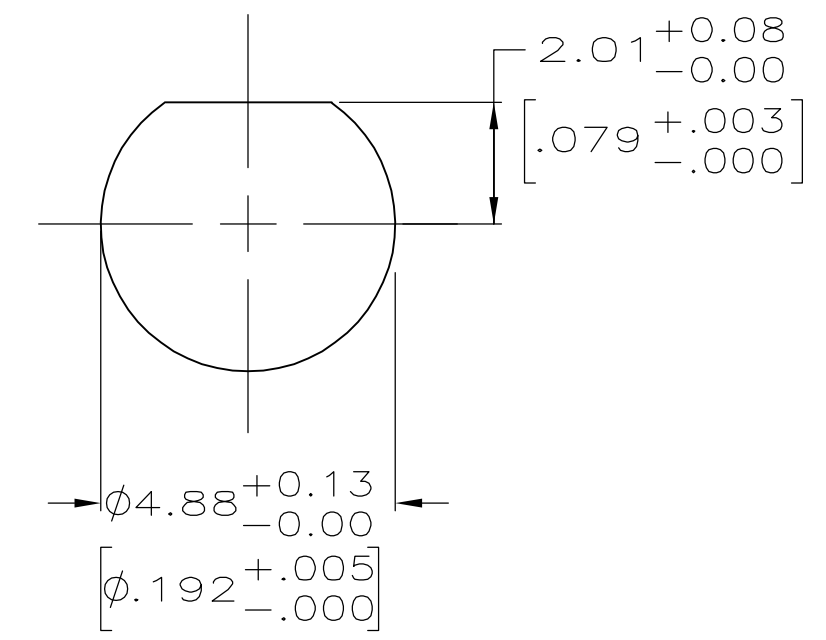
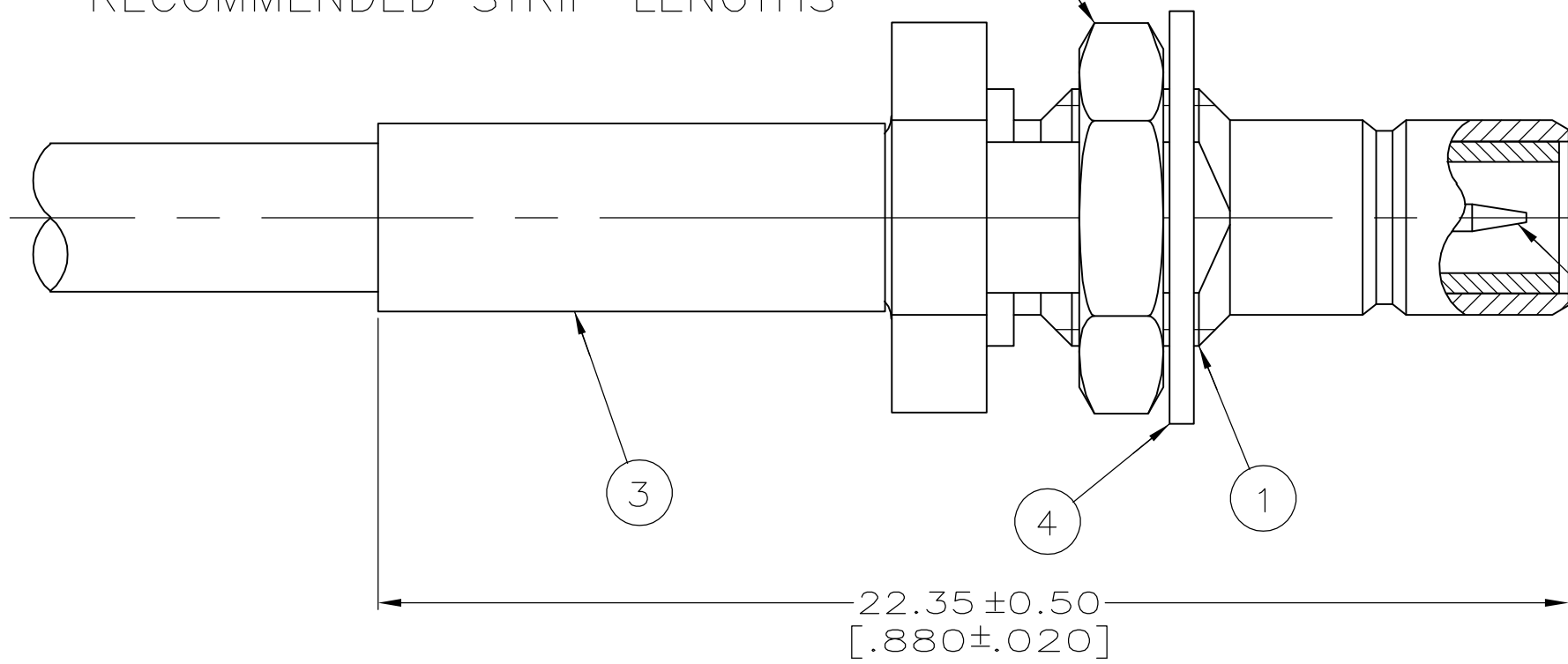
THIS DRAWING IS UNPUBLISHED. RELEASED FOR PUBLICATION
 © COPYRIGHT BY TYCO ELECTRONICS CORPORATION. ALL RIGHTS RESERVED.

LOC	DIST	REVISIONS					
AJ	16	P	LTR	DESCRIPTION	DATE	DWN	APVD
			A	REVISED PER 0S14-0150-05	06OCT2005	REH	JGH



RECOMMENDED STRIP LENGTHS

- 1. PARTS PACKAGED UNASSEMBLED.
- △2 CONTACT CRIMP: CRIMP TOOL MIL-C-22520/5-01 WITH DANIELS POSITIONER K727; SET ON POSITION #2.
- △3 BRAID CRIMP: AMP HAND TOOL PART NUMBER 220190-1 WITH DIE SET PART NUMBER 58046-1, OR HAND TOOL MIL-C-22520/5-01 WITH DANIELS DIE SET NUMBER Y144.
- △4 BRAID CRIMP: AMP HAND TOOL PART NUMBER 220190-1 WITH DIE SET PART NUMBER 59969-2, OR HAND TOOL MIL-C-25520/5-01 WITH DANIELS DIE SET NUMBER Y196.



RECOMMENDED PANEL CUT-OUT

RD-316	△2 △4	414969-2	415001-2	1-413889-4	228225-2	9-415007-0	5415006-2
RG-188/U & -316/U	△2 △3	414969-2	415001-2	1-413889-3	228225-2	9-415007-0	5415006-1
CABLE	CRIMP TOOLING	⑤ JAM NUT QTY=1	④ LOCKWASHER QTY=1	③ FERRULE QTY=1	② CONTACT QTY=1	① JACK ASSY QTY=1	PART NUMBER

THIS DRAWING IS A CONTROLLED DOCUMENT.

DWN	J. HAVENER	31MAR2005		Tyco Electronics Corporation Harrisburg, PA 17105-3608	
CHK	J. HAVENER	31MAR2005			
APVD	J. HAVENER	31MAR2005			
PRODUCT SPEC	NAME				
APPLICATION SPEC	BULKHEAD JACK, SMB				
WEIGHT	SIZE		CAGE CODE	DRAWING NO	RESTRICTED TO
-	A3		00779	C-5415006	-
CUSTOMER DRAWING			SCALE	SHEET	REV
			8:1	1 OF 1	A

DIMENSIONS:	TOLERANCES UNLESS OTHERWISE SPECIFIED:
mm [INCHES]	
0 PLC	± -
1 PLC	± -
2 PLC	± 0.25 [.010]
3 PLC	± -
4 PLC	± -
ANGLES	± -
MATERIAL	FINISH
-	-

单击下面可查看定价，库存，交付和生命周期等信息

[>>TE Connectivity\(泰科\)](#)