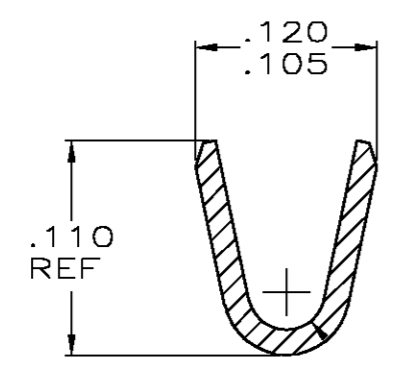
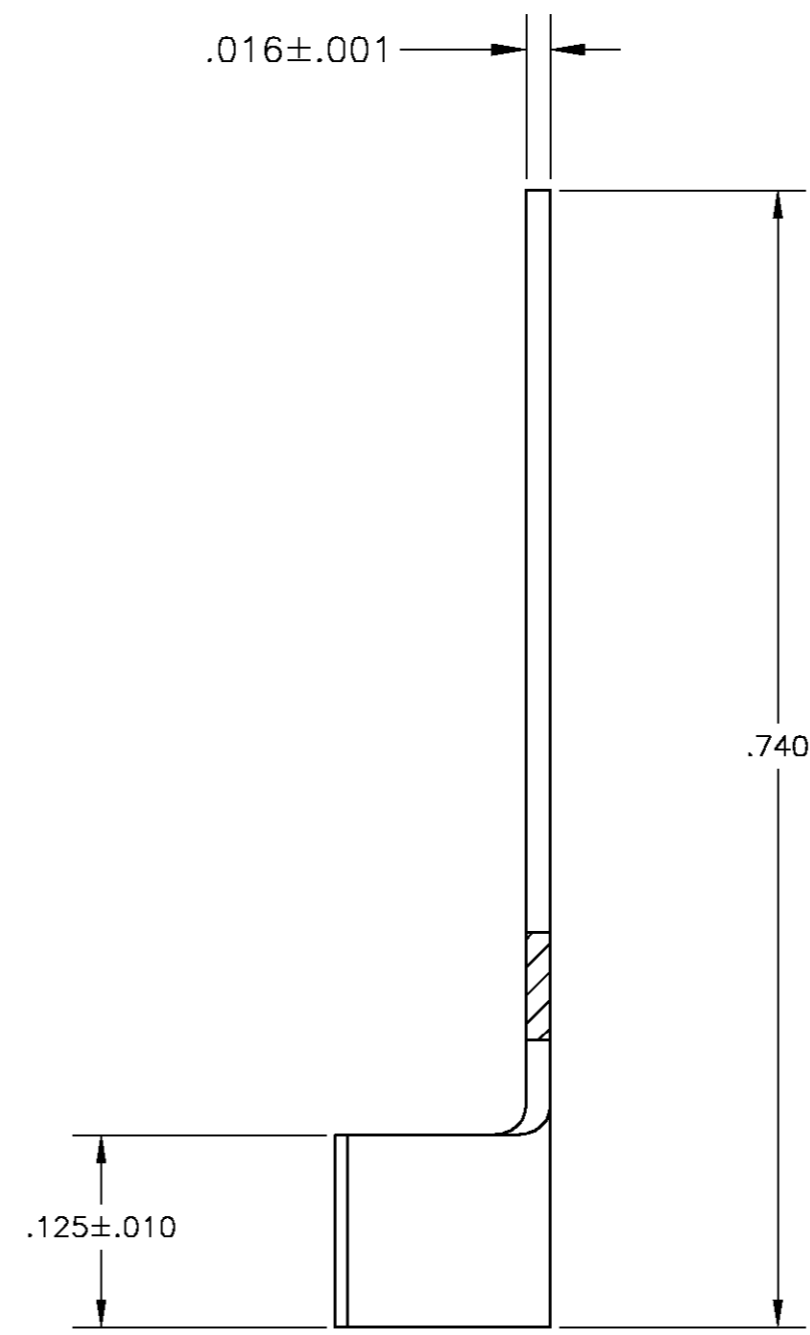
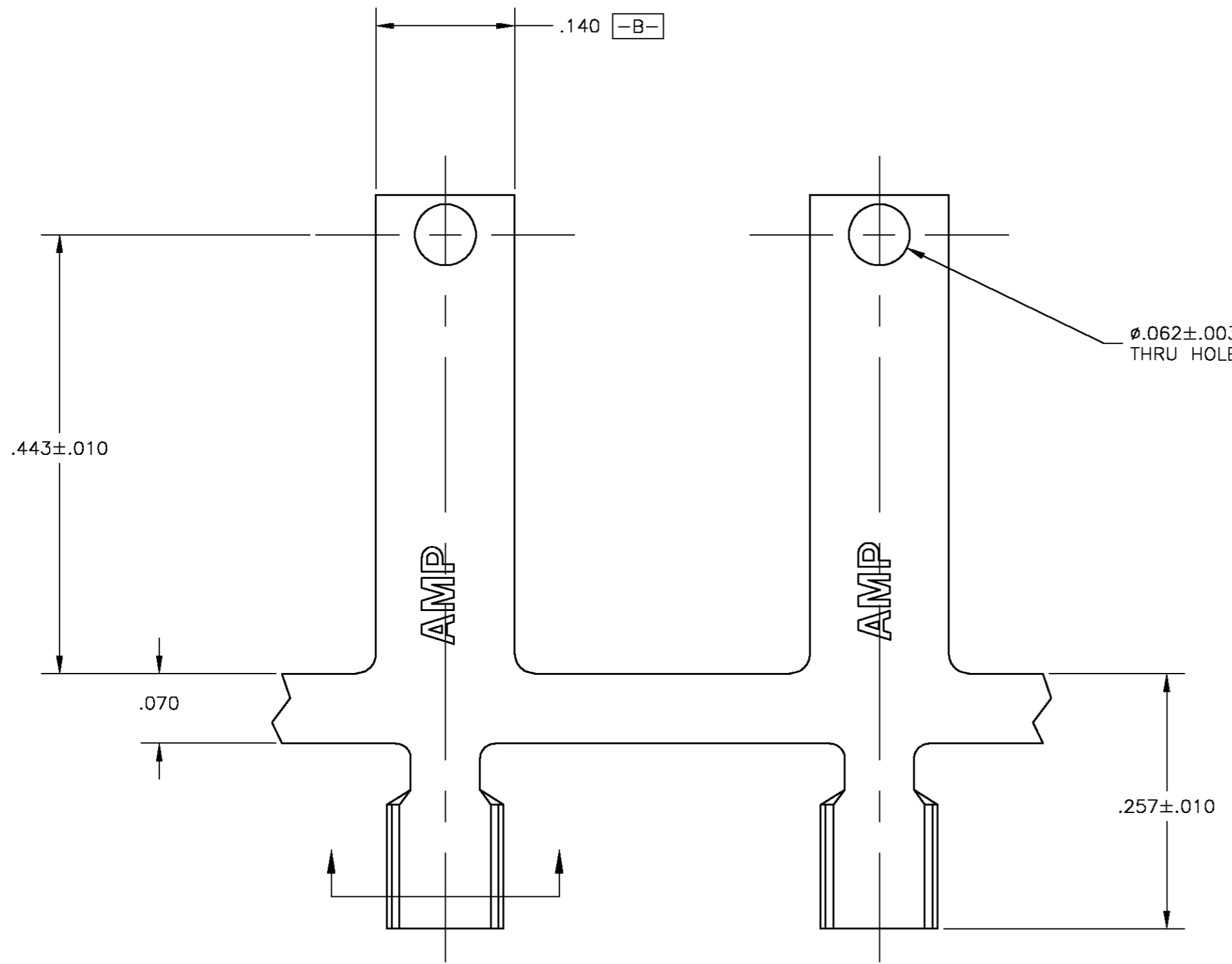


THIS DRAWING IS UNPUBLISHED. RELEASED FOR PUBLICATION
 © COPYRIGHT BY TYCO ELECTRONICS CORPORATION. ALL RIGHTS RESERVED.

LOC		DIST		REVISIONS			
P	LTR	DESCRIPTION	DATE	DWN	APVD		
AF	50	D	REVISED PER 0G3A-0167-04	22MAR04	MF	GP	

- ① REELING DIRECTION FOR STANDARD APPLICATOR.
- ② REELING DIRECTION FOR MINI APPLICATOR.
- 3 CONTINUOUS STRIP ON REELS.
- 4 WIRE RANGE: #22-#18 AWG.



REELING	FINISH	PART NUMBER
②	-	155386-3
①	TIN PLATED	155386-2
①	-	155386-1

THIS DRAWING IS A CONTROLLED DOCUMENT.		DWN MICHAEL S. FEHER 22MAR2004	Tyco Electronics Corporation Harrisburg, Pa 17105-3608	
DIMENSIONS: INCHES	TOLERANCES UNLESS OTHERWISE SPECIFIED:	CHK GARY D. PORTA 22MAR2004	NAME CONTACT, SPRING	
	0 PLC ± -	APVD GARY D. PORTA 22MAR2004	RESTRICTED TO	
	1 PLC ± -	PRODUCT SPEC	-	
	2 PLC ± -	APPLICATION SPEC	-	
	3 PLC ± .010	WEIGHT	-	
MATERIAL 4M BRASS	FINISH SEE TABLE	ANGLES ± -	SIZE A2	CAGE CODE 00779
		FINISH	DRAWING NO C=155386	
CUSTOMER DRAWING		SCALE 10:1	SHEET 1 OF 1	REV D

155386

单击下面可查看定价，库存，交付和生命周期等信息

[>>TE Connectivity\(泰科\)](#)