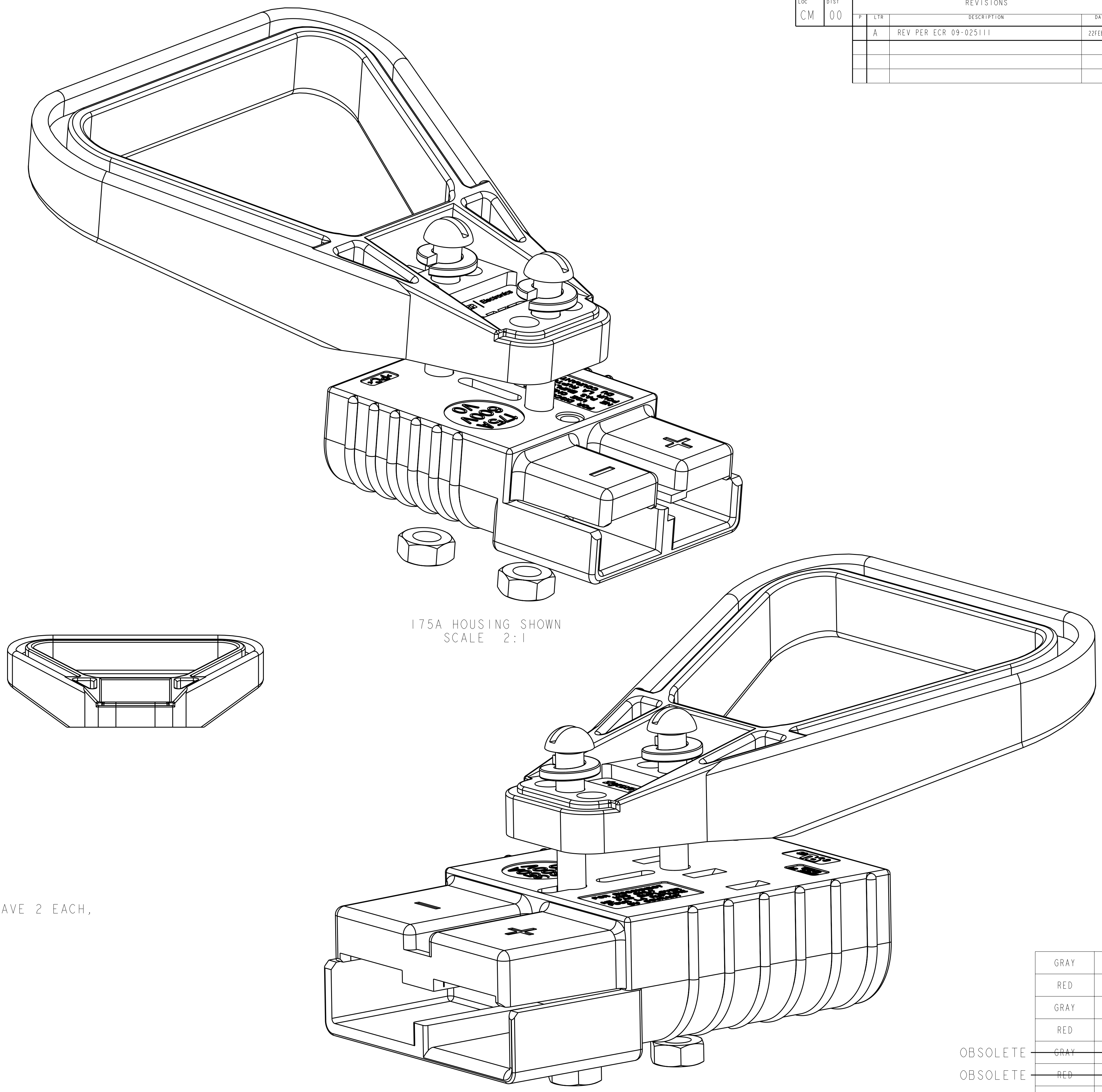
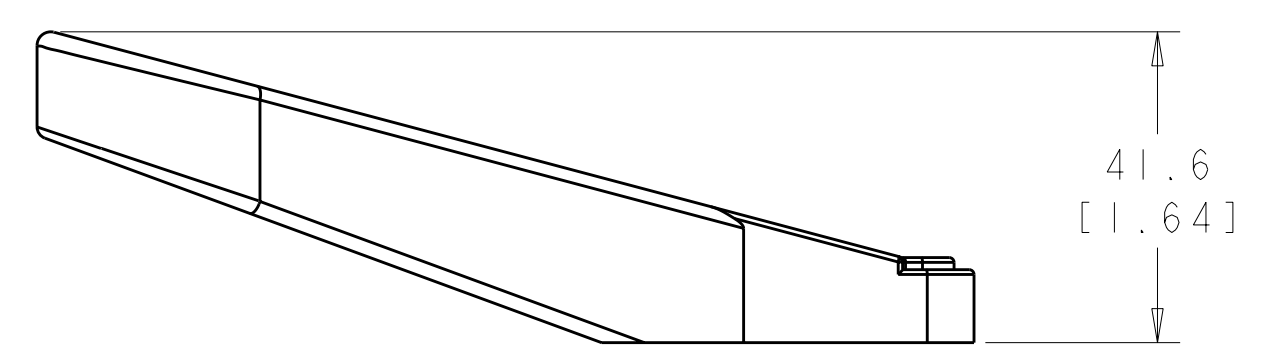
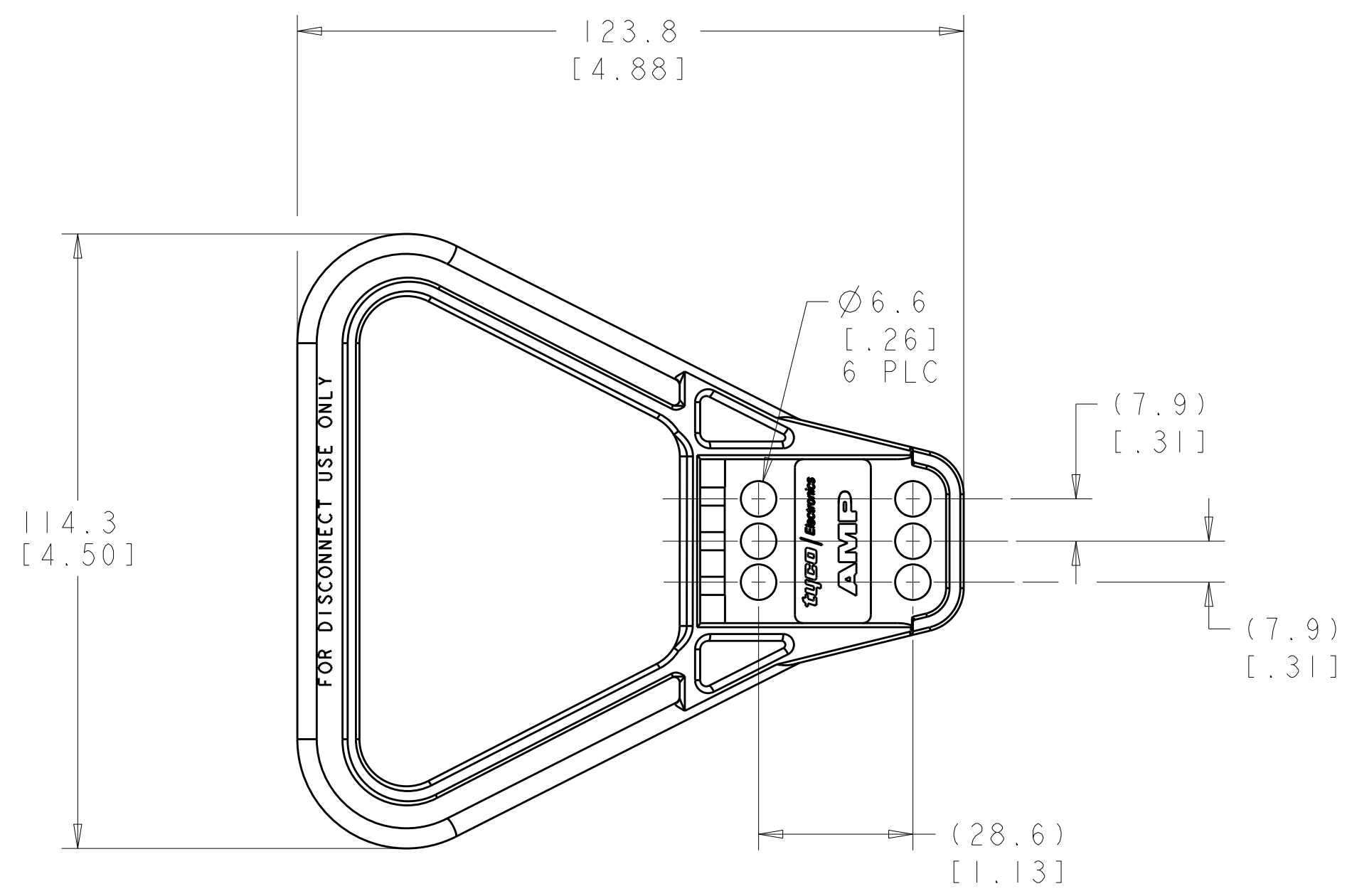


LOC		DIST		REVISIONS			
CM	00	REV	DATE	BY	CHK	APP	REV
		A	22FEB10	JR	SM		



1. A HARDWARE KIT COMPRISED OF SCREWS, LOCK WASHERS, AND NUTS IS INCLUDED WITH THE HANDLE. 647737-1, 647737-2, 2-647737-1, 2-647737-2 HAVE 2 EACH, 1-647737-1, 1-647737-2, 3-647737-1, 3-647747-2 HAVE 4 EACH.
2. HANDLE MATERIAL IS UL94V-0 POLYCARBONATE.

GRAY	3-647737-2
RED	3-647737-1
GRAY	2-647737-2
RED	2-647737-1
OBSOLETE	GRAY 1-647737-2
OBSOLETE	RED 1-647737-1
OBSOLETE	GRAY 647737-2
OBSOLETE	RED 647737-1
COLOR	PART NO



<small>THIS DRAWING IS UNPUBLISHED. RELEASED FOR PUBLICATION. ALL RIGHTS RESERVED. THIS IS SUBJECT TO CHANGE WITHOUT NOTICE. THE USER ASSUMES ALL RESPONSIBILITY FOR THE CORRECT USE OF THIS DRAWING.</small>		DWN: R. WHITAKER 18APR2002 CHK: J. ELLIS 18APR2002 APP: J. ELLIS 18APR2002	tyco Electronics Tyco Electronics Harrisburg, PA 17105-3608
DIMENSIONS: mm [INCHES]	TOLERANCES UNLESS OTHERWISE SPECIFIED: 0 PLC ± 1 PLC ±.02 (.51) 3 PLC ± 4 PLC ± ANGLES ±	NAME: HANDLE KIT, POWER SERIES 175/350 PRODUCT SPEC: APPLICATION SPEC: WEIGHT: MATERIAL: FINISH:	SIZE: A CAGE CODE: 00779 DRAWING NO: 647737 SCALE: 1:1 SHEET: 1 OF 1 REV: A
CUSTOMER DRAWING		RESTRICTED TO	

单击下面可查看定价，库存，交付和生命周期等信息

[>>TE Connectivity\(泰科\)](#)