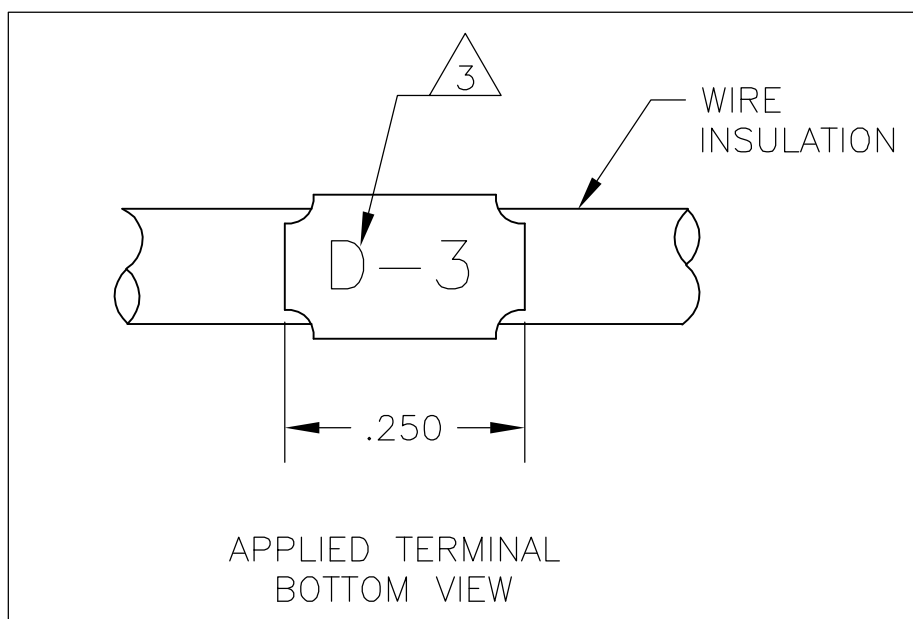
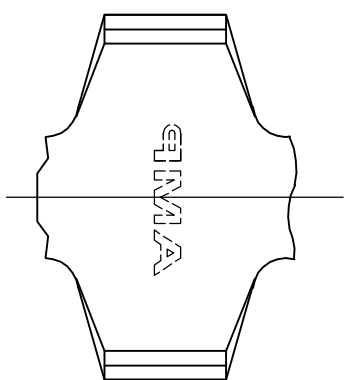
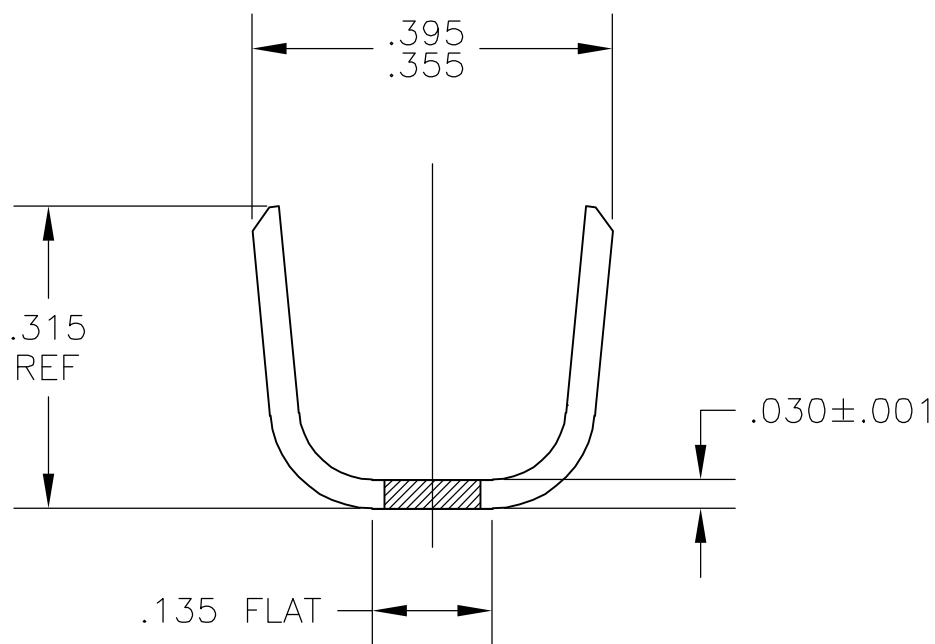
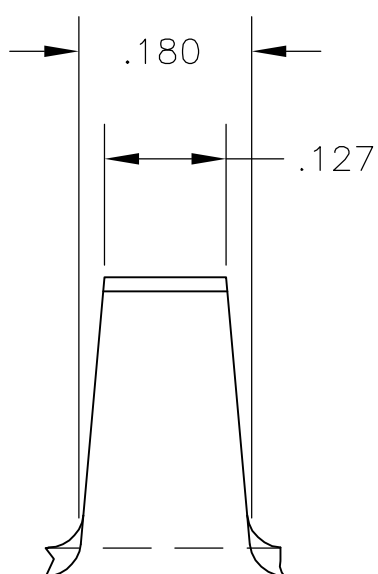


THIS DRAWING IS UNPUBLISHED. RELEASED FOR PUBLICATION
 © COPYRIGHT BY TYCO ELECTRONICS CORPORATION. ALL RIGHTS RESERVED.

LOC	DIST	REVISIONS				
P	LTR	DESCRIPTION	DATE	DWN	APVD	
AF	50	A1	ECR-07-001426(REDRAWN IN AUTOCAD)	06DEC06	HMR	GP



- 1 CONTINUOUS STRIP ON REELS.
- 2 INSULATION RANGE: .150 - .300 DIA.
- POSITION OF CUSTOMER'S CODE NUMBER (1 OR 2 DIGITS OR LETTERS)



41282
PART NO

THIS DRAWING IS A CONTROLLED DOCUMENT.		DWN RAGHAVENDRA	06DEC06	Tyco Electronics Corporation Harrisburg, Pa 17105-3608	
DIMENSIONS: INCHES		CHK G.D.PORTA	04JAN07		
		APVD G.D.PORTA	04JAN07	NAME	
TOLERANCES UNLESS OTHERWISE SPECIFIED:		PRODUCT SPEC		IDENTIFICATION BAND	
0 PLC ± -		APPLICATION SPEC		SIZE	RESTRICTED TO
1 PLC ± -		WEIGHT		CAGE CODE	A3 00779
2 PLC ± -		CUSTOMER DRAWING		DRAWING NO	
3 PLC ± .010		SCALE		SHEET	OF
4 PLC ± -		5:1		1	1
ANGLES ± -		SHEET		REV	A1
MATERIAL O82 BRASS		FINISH NONE		SCALE 5:1 SHEET 1 OF 1 REV A1	

单击下面可查看定价，库存，交付和生命周期等信息

[>>TE Connectivity\(泰科\)](#)