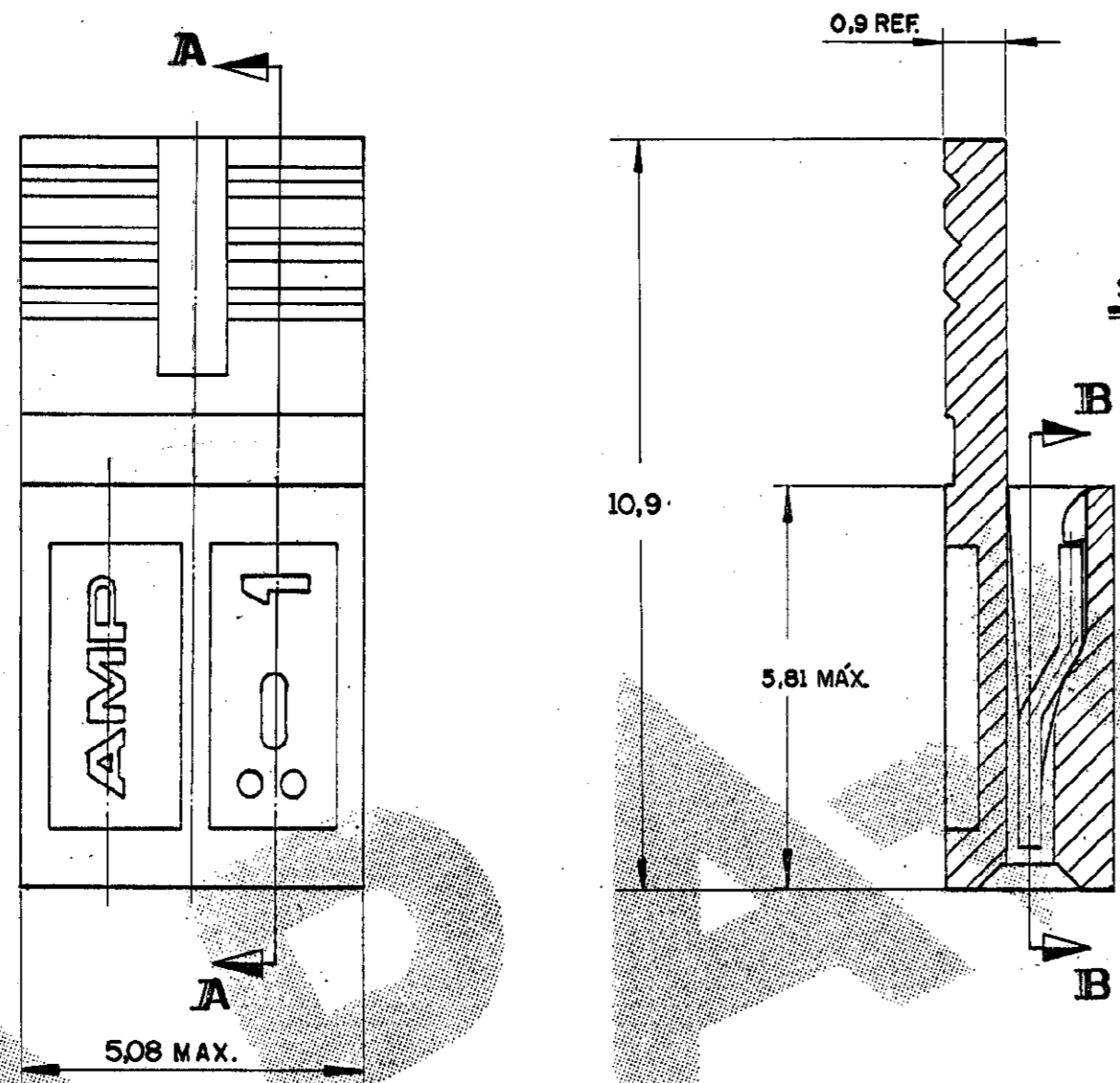


C881545

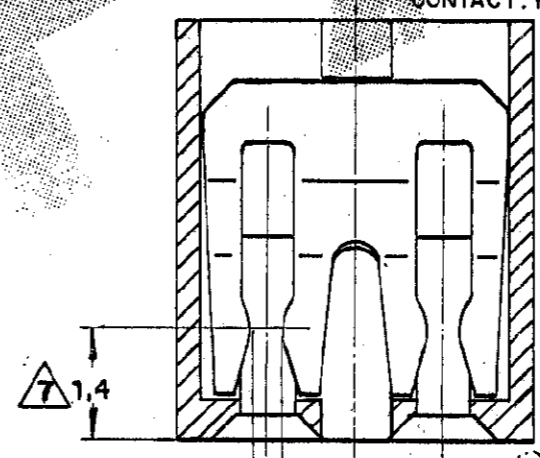
DO NOT SCALE
DIMENSIONS IN mm. METRIC
3rd ANGLE PROJECTION

ATENÇÃO
Este desenho esta sob o controle das especificações nos. 102-23 e 102-55. Toda e qualquer alteração, antes de ser processada, deverá ser comunicada aos clientes envolvidos, através dos procedimentos atuais.
Ver pasta "Notificação ao Cliente"

- NOTAS:**
- 1 MATERIAL: HOUSING: TERMOPLÁSTICO C/ FIBRA DE VIDRO V-0 COR: PRETO
CONTACTO: BRONZE FOSFOROSO
 - 2 MATERIAL: HOUSING: THERMOPLASTIC WITH GLASS FIBER V-0 COLOR: BLACK
CONTACT: PHOSPHOROUS BRONZE
 - 3 MATERIAL: HOUSING: TERMOPLÁSTICO C/ FIBRA DE VIDRO HB COR: NATURAL
CONTACTO: BRONZE FOSFOROSO
 - 4 MATERIAL: HOUSING: THERMOPLASTIC WITH GLASS FIBER HB COLOR: NATURAL
CONTACT: PHOSPHOROUS BRONZE
 - 5 0,38 µm. MIN. OURO NA AREA DE CONTATO, SOBRE BANHO 0,76 µm NIQUEL
0,38 µm. MIN. GOLD ON CONTACT AREA, 0,76 µm NIQUEL UNDERPLATING
 - 6 0,76 µm. MIN. OURO NA AREA DE CONTATO, SOBRE BANHO 0,76 µm NIQUEL
0,76 µm. MIN. GOLD ON CONTACT AREA, 0,76 µm NIQUEL UNDERPLATING
 - 7 1,27 µm. MIN. OURO NA AREA DE CONTATO, SOBRE BANHO 0,76 µm NIQUEL
1,27 µm. MIN. GOLD ON CONTACT AREA, 0,76 µm NIQUEL UNDERPLATING
 - 8 ESTANHO SOBRE NIQUEL
TIN OVER NICKEL
 - 9 PONTO DE CONTATO P/ MEDIÇÃO DA CAMADA DE OURO
CONTACT POINT FOR GOLD PLATING MEASUREMENT
 - 10 ACEITA PINO QUADRADO 0,64 x 0,64 OU REDONDO Ø 0,64
ALLOW SQUARE PIN 0,64 x 0,64 OR ROUND Ø 0,64
 - 11 MATERIAL: HOUSING: TERMOPLÁSTICO C/ 15% DE FIBRA DE VIDRO, V2, COR VERMELHO (PADRÃO DE COR: RAL 3000).
CONTACTO: BRONZE FOSFOROSO
MATERIAL: HOUSING THERMOPLASTIC WITH 15% GLASS FIBER, V2, COLOR RED (STAND COLOR: RAL 3000)
CONTACT: PHOSPHOROUS BRONZE.



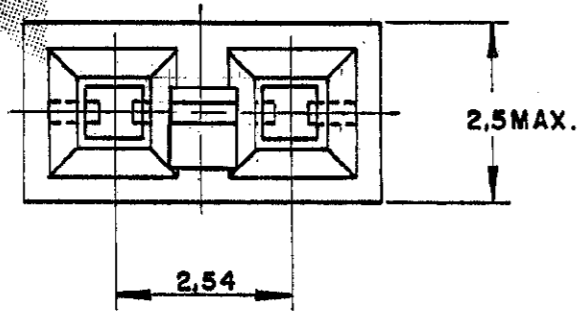
SEÇÃO A-A



SEÇÃO B-B

V2, COLOR GREEN (AMP A6484)

- 10 SIMILAR DO P/N 881545-2, PORÉM EM EMBALAGENS C/ 2.000 PEÇAS/SACO PLÁSTICO.
SIMILAR OF P/No 881545-2 BUT IN PACKAGES W/ 2.000 PARTS/ PLASTIC BAG.
- 11 MATERIAL HOUSING: TERMOPLÁSTICO COM 15% FIBRA DE VIDRO, V2, COR AMARELO (RAL 1016)
CONTACTO: BRONZE FOSFOROSO
MATERIAL: HOUSING: THERMOPLASTIC 15% GLASS FIBER V2, COLOR YELLOW (RAL 1016)
CONTACT: PHOSPHOROUS BRONZE.
- 12 MATERIAL HOUSING TERMOPLÁSTICO COM 15% FIBRA DE VIDRO, V2, COR VERDE (AMP A6484) CONTACTO: BRONZE FOSFOROSO
MATERIAL HOUSING THERMOPLASTIC 15% GLASS FIBER, V2, COLOR GREEN (AMP A6484) CONTACT: PHOSPHOROUS BRONZE.
- 13 OBSOLETE PARTS: OBSOLETE CIS STREAMLINING PER D.RENAUD/D.SINISI



| | | | |
|----|---|----|----------|
| 6 | 1 | 4- | -2 |
| 3 | 2 | 4- | -1 |
| 13 | 3 | 3 | -1 |
| 6 | 4 | 2 | -4 |
| 4 | 5 | 2- | -5 |
| 3 | 2 | 2- | -2 |
| 13 | 3 | 2 | 881545-1 |
| 6 | 4 | 2 | 9 |
| 3 | 5 | | -8 |
| 4 | 2 | | -7 |
| 13 | 3 | | -6 |
| 6 | 4 | | -5 |
| 3 | 2 | | -4 |
| 4 | 5 | | -3 |
| 13 | 3 | | -2 |
| 6 | 1 | | 881545-1 |

OTHER TREATMENT FINISH MATERIAL PART NUMBER

CUSTOMER DWG
for REFERENCE ONLY

THIS DRAWING IS UNPUBLISHED | RELEASED FOR PUBLICATION

TOLERANCES UNLESS OTHERWISE STATED:
DEC. ±0,5
ANGLES ±1°

INS. DIA. RANGE WIRE RANGE SCALE

DR. [Signature] 11-09-88

CHK. [Signature] 09-11-88

DESCRIPTION **AMP SHUNT**

LOW PROFILE CONNECTOR ASSY

REV. SHEET: A2 DWG NO. C 881545 K4 1 of 2

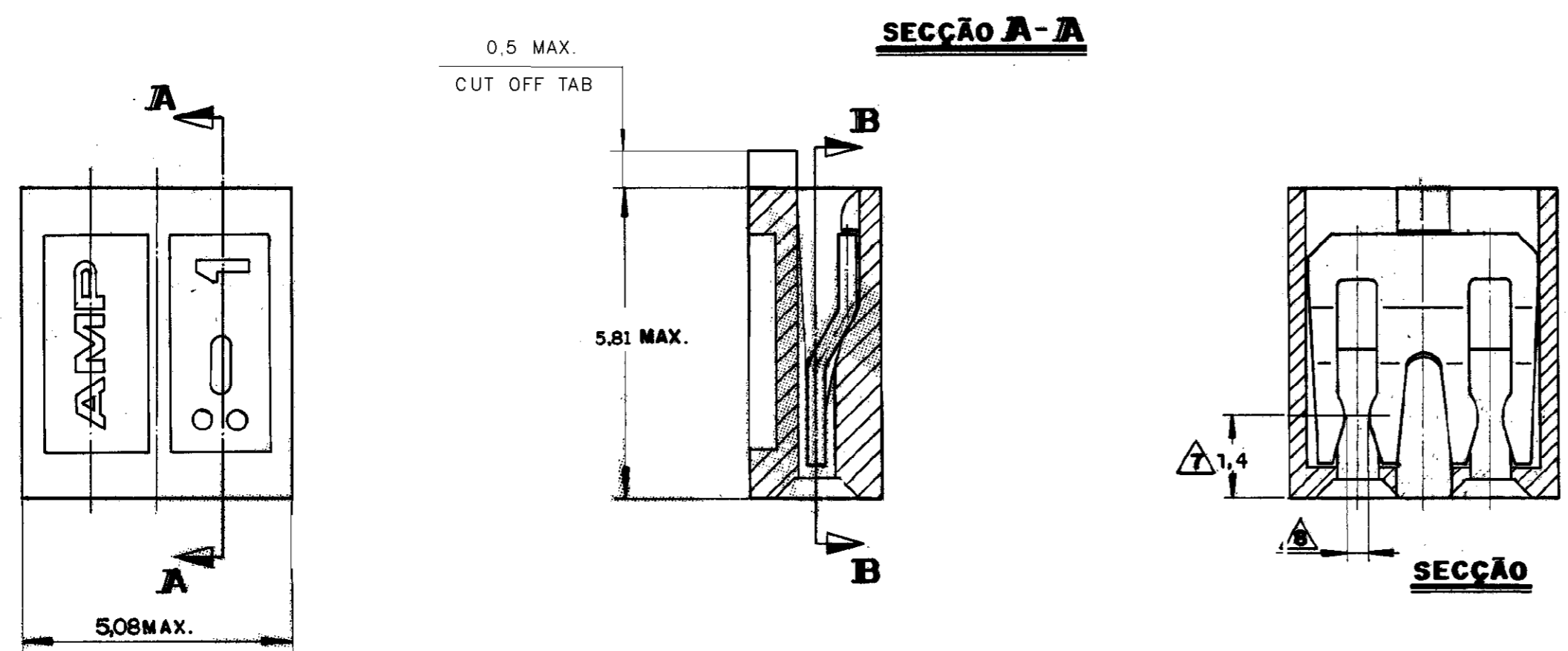
| | | | | | |
|-----|---------------------------|----|-----|---------|---------------------------|
| K4 | REV. ECO 17-004195 | HC | WLS | 30MAY11 | |
| K3 | REV ECO11-023509 | HC | WLS | 02DEC11 | |
| K2 | REVISED PER ECO-11-005139 | RK | HMR | 06APR11 | |
| ISS | REVISION RECORD | DR | CHK | DATE | APP. [Signature] 25/12/88 |

C 881545

DO NOT SCALE
DIMENSIONS IN mm.

METRIC

3rd ANGLE PROJECTION



| | | | |
|----------------|---|---|----------|
| OBSOLETE 13 | 6 | 2 | 8 |
| | 6 | 2 | 7 |
| | 4 | 2 | 6 |
| | 3 | 2 | 881545-5 |
| OBSOLETE 13 | 6 | 1 | 8 |
| | 5 | 1 | 7 |
| | 4 | 1 | 6 |
| | 3 | 1 | 5 |
| OBSOLETE 13 | 6 | 1 | 4 |
| | 5 | 1 | 3 |
| | 4 | 1 | 2 |
| | 3 | 1 | 881545-1 |

| OTHER TREATMENT | FINISH | MATERIAL | PART NUMBER |
|--|-------------------|--|---------------------|
| CUSTOMER DWG for REFERENCE ONLY | | | |
| THIS DRAWING IS UNPUBLISHED RELEASED FOR PUBLICATION | | | |
| TOLERANCES UNLESS OTHERWISE STATED. DEC. ±0.5 ANGLES ±1° | | INS. DIA. RANGE | WIRE RANGE |
| DR. <i>[Signature]</i> 11-09-88 | | STE TE Connectivity | |
| CHK. <i>[Signature]</i> 08-11-88 | | DESCRIPTION AMP SHUNT | |
| DE. <i>[Signature]</i> | | DESCRIPTION LOW PROFILE CONNECTOR ASS'Y | |
| K3 | DWG NO. A2 | REV. K4 | SHEET 2 OF 2 |
| ISS | REVISION RECORD | DR | CHK DATE |

单击下面可查看定价，库存，交付和生命周期等信息

[>>TE Connectivity\(泰科\)](#)