

THIS DRAWING IS UNPUBLISHED.

RELEASED FOR PUBLICATION FEB ,2006.

REVISIONS

© COPYRIGHT 2006 By -

ALL RIGHTS RESERVED.

P	LTR	DESCRIPTION	DATE	DWN	APVD
	D	PER ECO-14-000522	10MAY14	RZ	MY

NOTES:

- ① PACK IN ACCORDANCE WITH AMP SPEC 107-3275
- ② 100 TRAY PACK IN ACCORDANCE WITH AMP SPEC 107-3275
- ③ Au PLATING

- 4 HAND TOOL : 9-1478240-0
- 5 DIE SET : 9-1478248-0

6 ELECTRICAL CHARACTERISTICS

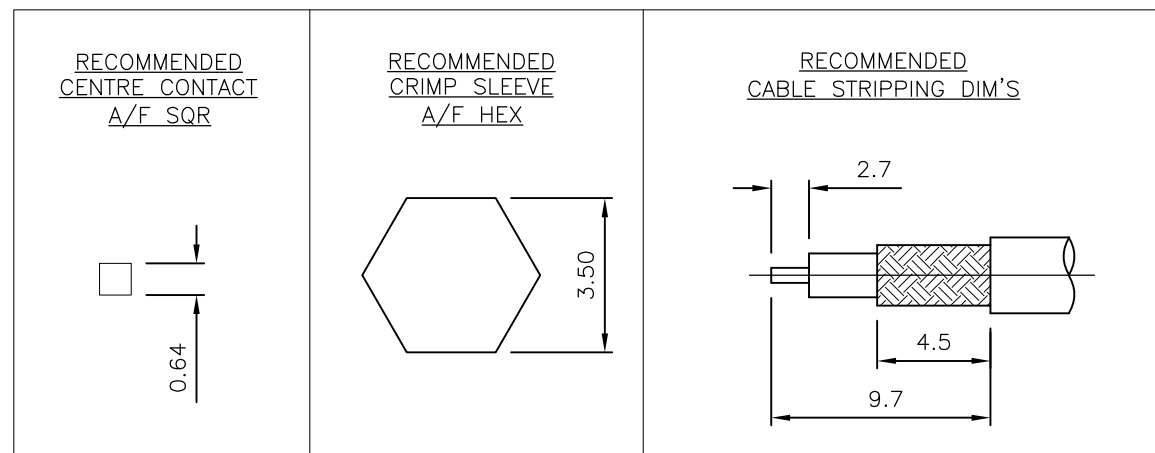
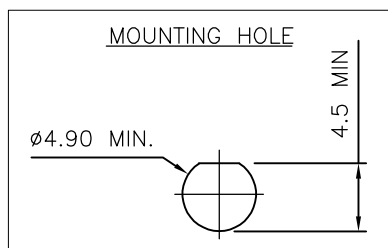
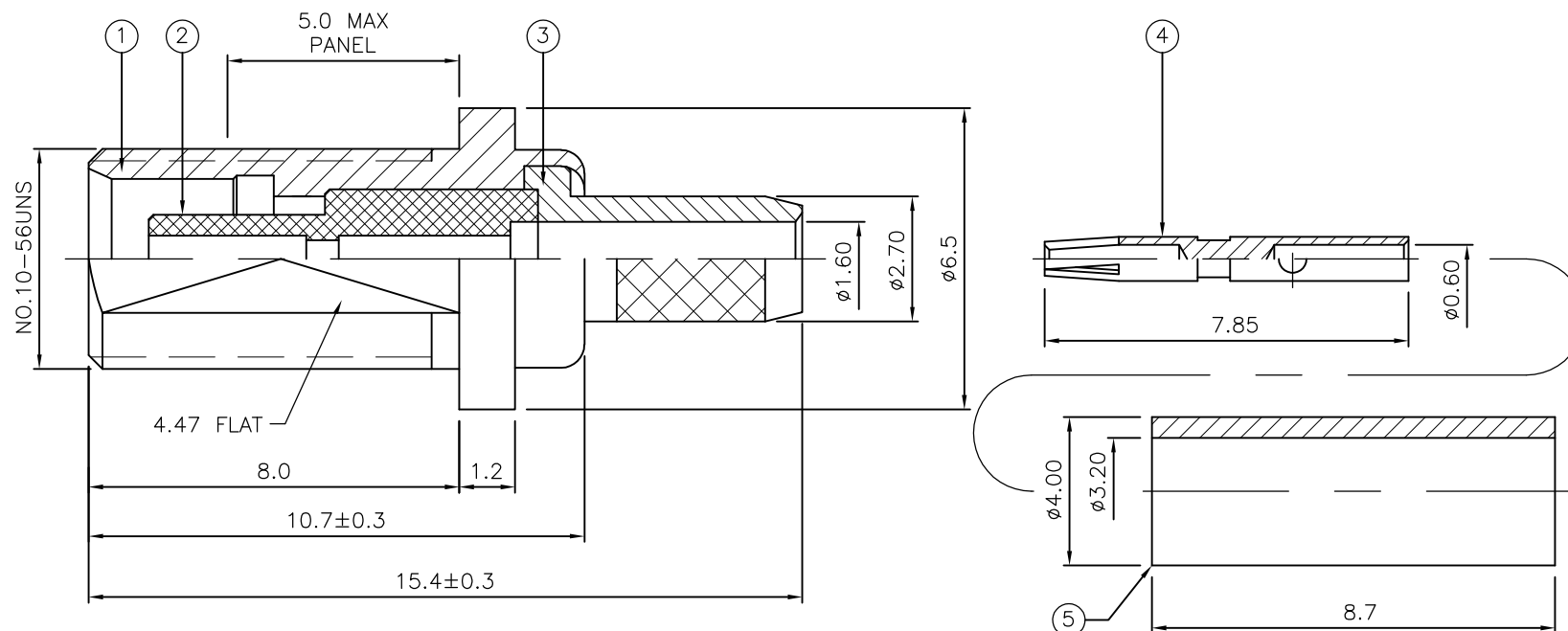
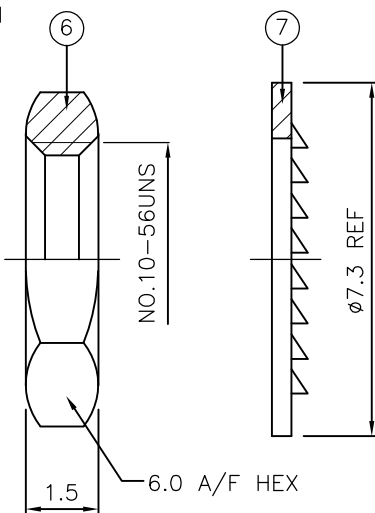
FREQUENCY RANGE:	DC - 6 GHz
NOMINAL IMPEDANCE:	50 Ohm
INSULATION RESISTANCE:	1000 MOhm
WORKING VOLTAGE:	335 Volts RMS at Sea Level
DIELECTRIC WITHSTAND VOLTAGE:	1000 Volts RMS Max
CONTACT RESISTANCE:	
CENTER CONTACT:	5.00 mOhm Max
OUTER CONTACT:	1.00 mOhm Max
VSWR @ 4GHz:	1.35:1 Max
INSERTION LOSS dB @ x 1.0 GHz:	0.10 Max

7 MECHANICAL CHARACTERISTICS

COUPLING NUT RETENTION FORCE:	N/A
CABLE RETENTION FORCE:	
"RG174A/U, 188A/U, 316/U, URM95:"	85N Min
"RG178B/U, 196A/U:"	25N Min
MOUNT NUT RECOMMENDED TORQUE:	0.75 Nm
DURABILITY:	500 Cycles Min

8 ENVIRONMENTAL CHARACTERISTICS

OPERATING TEMPERATURE:	-55 to +155 DegC
------------------------	------------------



QTY	QTY	MATERIAL	DESCRIPTION	ITEM
1	1	BRASS	LOCKWASHER	7
1	1	BRASS	HEXAGONAL NUT	6
1	1	BRASS	FERRULE	5
1	1	BERYLLIUM COPPER	CONTACT	4
1	1	BRASS	CHASSIS	3
1	1	PTFE	INSULATION	2
1	1	BRASS	BODY	1
6--0	1--0	MATERIAL	DESCRIPTION	ITEM

THIS DRAWING IS A CONTROLLED DOCUMENT.		DWN J.SANDWELL 06FEB06	TE Connectivity													
DIMENSIONS: mm		CHK S.PARLOW 06FEB06														
TOLERANCES UNLESS OTHERWISE SPECIFIED:		APVD F.WHEELER-KING 06FEB06	NAME MCX BULKHEAD JACK REAR MOUNT CRIMP 50 OHM RG174A/U, 188A/U, 316/U, URM95, KX3B, KX22A													
<table border="0"> <tr><td>0 PLC</td><td>± -</td></tr> <tr><td>1 PLC</td><td>± 0.2</td></tr> <tr><td>2 PLC</td><td>± 0.1</td></tr> <tr><td>3 PLC</td><td>± -</td></tr> <tr><td>4 PLC</td><td>± -</td></tr> <tr><td>ANGLES</td><td>± -</td></tr> </table>		0 PLC	± -	1 PLC	± 0.2	2 PLC	± 0.1	3 PLC	± -	4 PLC	± -	ANGLES	± -	PRODUCT SPEC -	APPLICATION SPEC -	
0 PLC	± -															
1 PLC	± 0.2															
2 PLC	± 0.1															
3 PLC	± -															
4 PLC	± -															
ANGLES	± -															
MATERIAL SEE TABLE		FINISH -	411-3247	RESTRICTED TO -												
CUSTOMER DRAWING		WEIGHT -	SIZE A3	CAGE CODE 00779												
			DRAWING NO C-1337588	SCALE NTS												
			SHEET 1 OF 1	REV D												

单击下面可查看定价，库存，交付和生命周期等信息

[>>TE Connectivity\(泰科\)](#)