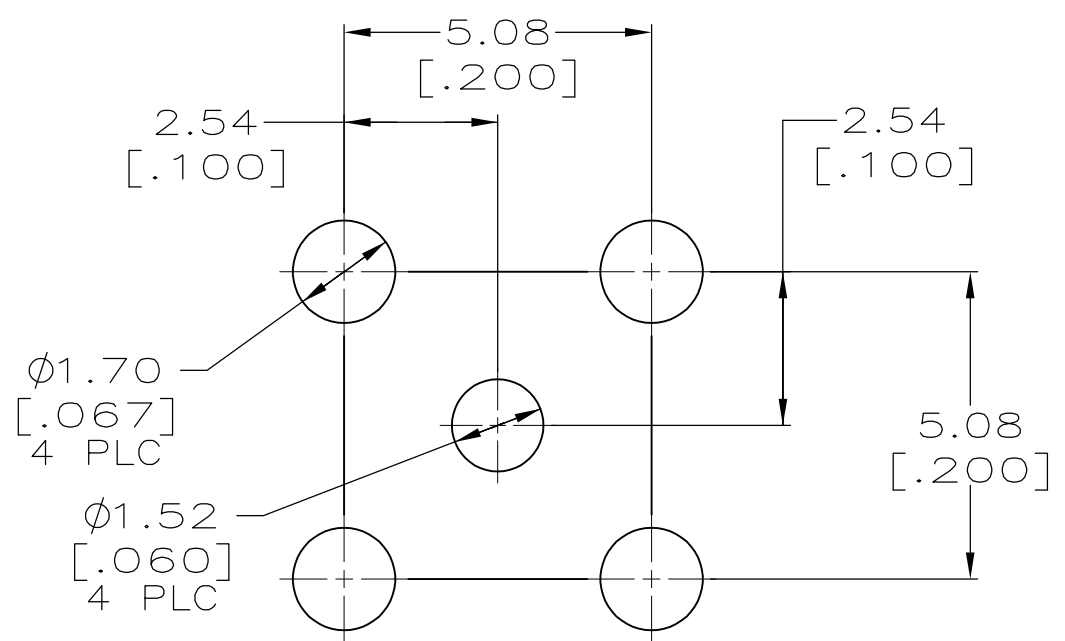
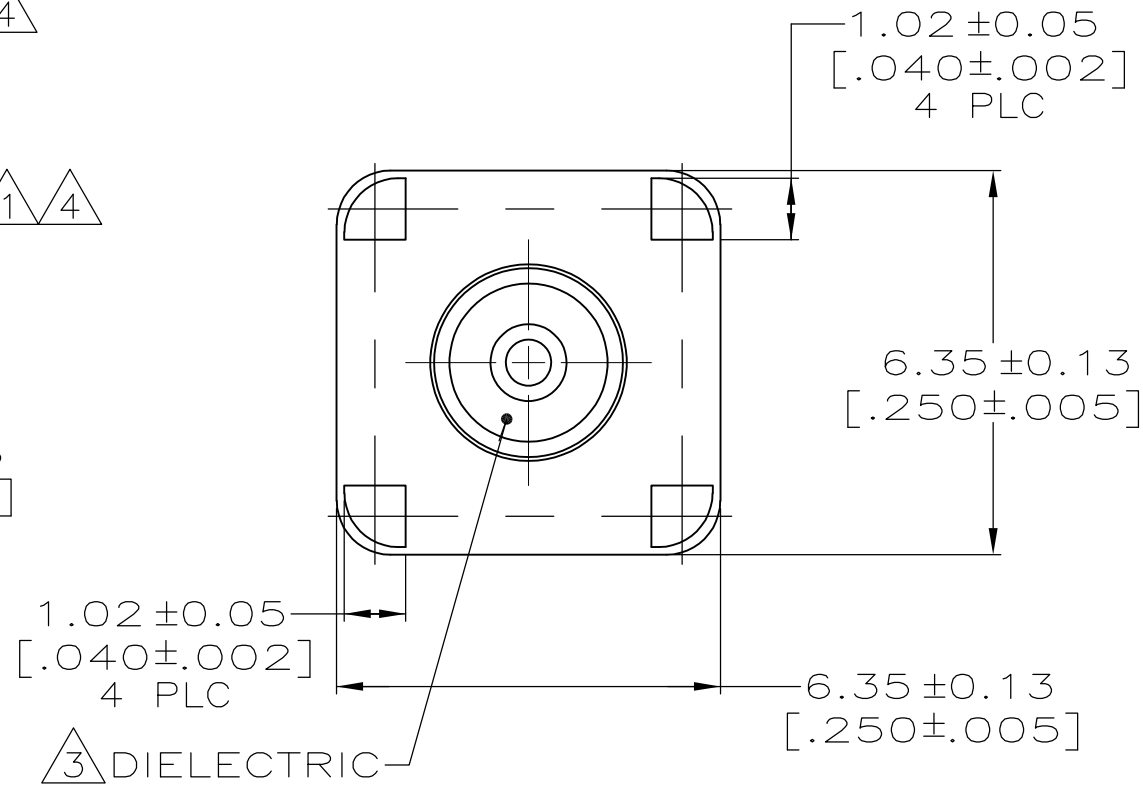
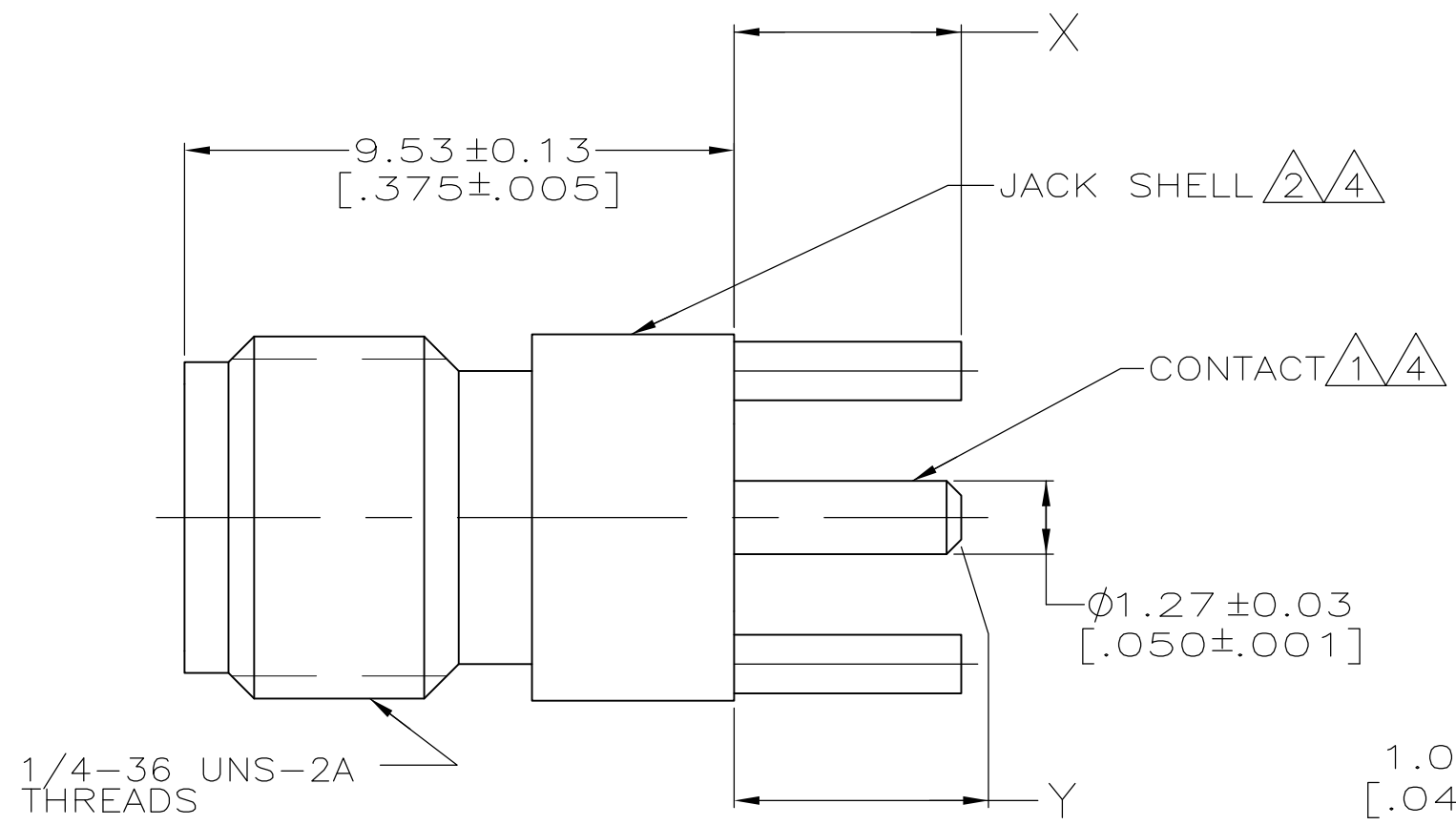


THIS DRAWING IS UNPUBLISHED. RELEASED FOR PUBLICATION
 © COPYRIGHT - By - ALL RIGHTS RESERVED.

LOC	DIST	REVISIONS			
P	LTR	DESCRIPTION	DATE	DWN	APVD
AJ	16	F	ECR-12-017548	07JUN13	AM MY

- ① BERYLLIUM COPPER PER ASTM-B-197.
- ② BRASS PER ASTM-B-16.
- ③ PTFE, PER ASTM-D-1710.
- ④ GOLD PLATE PER MIL-G-45204.
- ⑤ PACKAGED ON TAPE & REEL PER EIA-STD481 WITH SOLDER LEGS DOWN.



RECOMMENDED PCB CONFIGURATION

OBSOLETE	⑤	2.67 ^{+0.25} / _{-0.15} [.105 ^{+0.010} / _{-.006}]	2.67 ± 0.13 [.105 ± 0.005]	221789-4
		2.67 ^{+0.25} / _{-0.15} [.105 ^{+0.010} / _{-.006}]	2.67 ± 0.13 [.105 ± 0.005]	221789-3
		3.94 [.155]	3.94 ± 0.25 [.155 ± 0.010]	221789-1
		Y	X	PART NUMBER

THIS DRAWING IS A CONTROLLED DOCUMENT.		DWN B. MOYER 25NOV97	STE TE Connectivity		
DIMENSIONS: mm [INCHES]		CHK J. CABARLO 25NOV97			
TOLERANCES UNLESS OTHERWISE SPECIFIED:		APVD J. CABARLO 25NOV97	NAME		
0 PLC ± -		PRODUCT SPEC	JACK, VERTICAL, PCB, SMA SERIES		
1 PLC ± -		APPLICATION SPEC	SIZE	CAGE CODE	DRAWING NO
2 PLC ± 0.08 [.003]		WEIGHT	A3	00779	C-221789
3 PLC ± -		CUSTOMER DRAWING	SCALE	SHEET	REV
4 PLC ± -			8:1	1 OF 1	F
ANGLES ± -					
FINISH					
MATERIAL ① ② ③					

单击下面可查看定价，库存，交付和生命周期等信息

[>>TE Connectivity\(泰科\)](#)