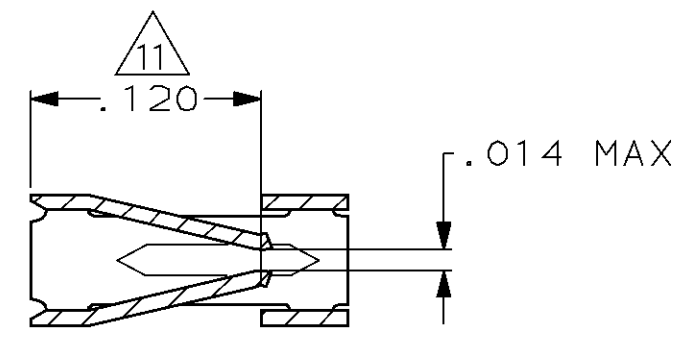
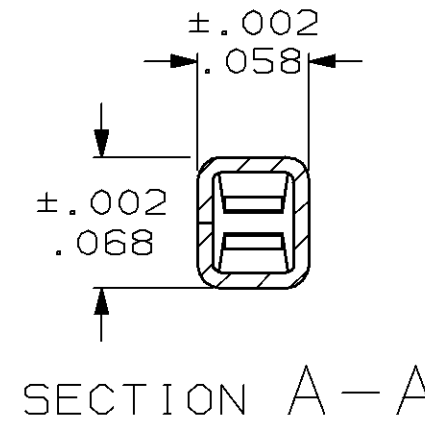
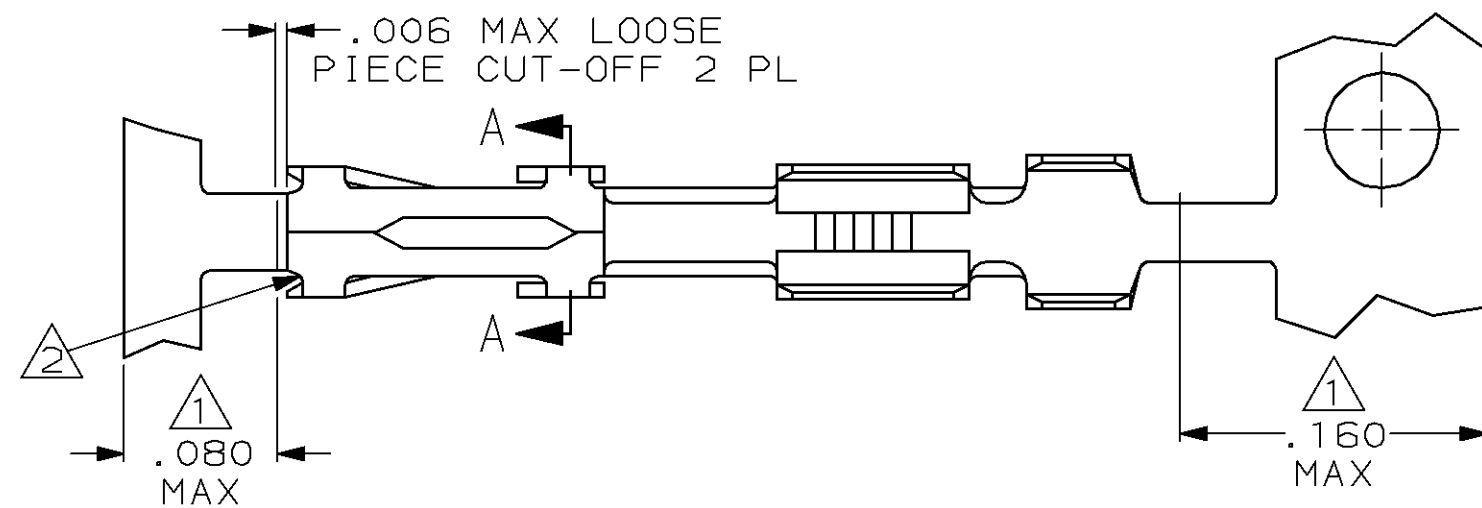
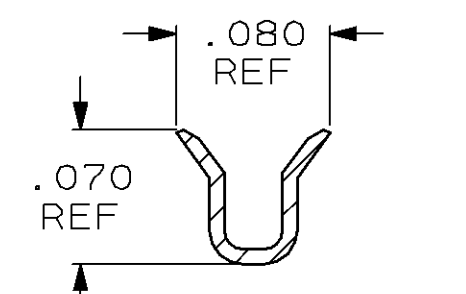


THIS DRAWING IS UNPUBLISHED. RELEASED FOR PUBLICATION, 19
 © COPYRIGHT 19 BY AMP INCORPORATED, HARRISBURG, PA. ALL INTERNATIONAL RIGHTS RESERVED. AMP PRODUCTS MAY BE COVERED BY U.S. AND FOREIGN PATENTS AND/OR PATENTS PENDING.

MOD	LOC	DIST	P	F	ZONE	LTR	DESCRIPTION	DATE	APPROVED
30	AD	39							
						V	REVISED AND REDRAWN ECN 893	-	
						W	REVISED ECN 950	LM 2-7-86	JLG
						W1	REVISED ECN 1041	HM 5-1-86	JLG
						W2	REVISED ECN 1133	5-1-86	-
						W3	OBSOLETE ECN 1821	LDR 2-22-88	JLG
						Y	REV ECN AR2029 2120	DK 9-27-88	JLG
						Z	REV PER ECN AR2491	JPG 6-8-89	-
						AA	REV LOC & DIST AD-4171	3-90	BF
						AB	OBS -4 PER 0010-0976-93	1-94	PS
						AC	REV PER 0010-0646-95	8-18-95	SS
						AD	REV PER 0010-0671-95	1-18-96	SS
						AE	OBS -9 PER 0010-0669-96	31DEC96	JH

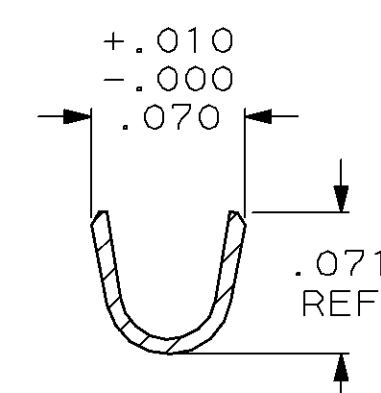


SECTION B-B



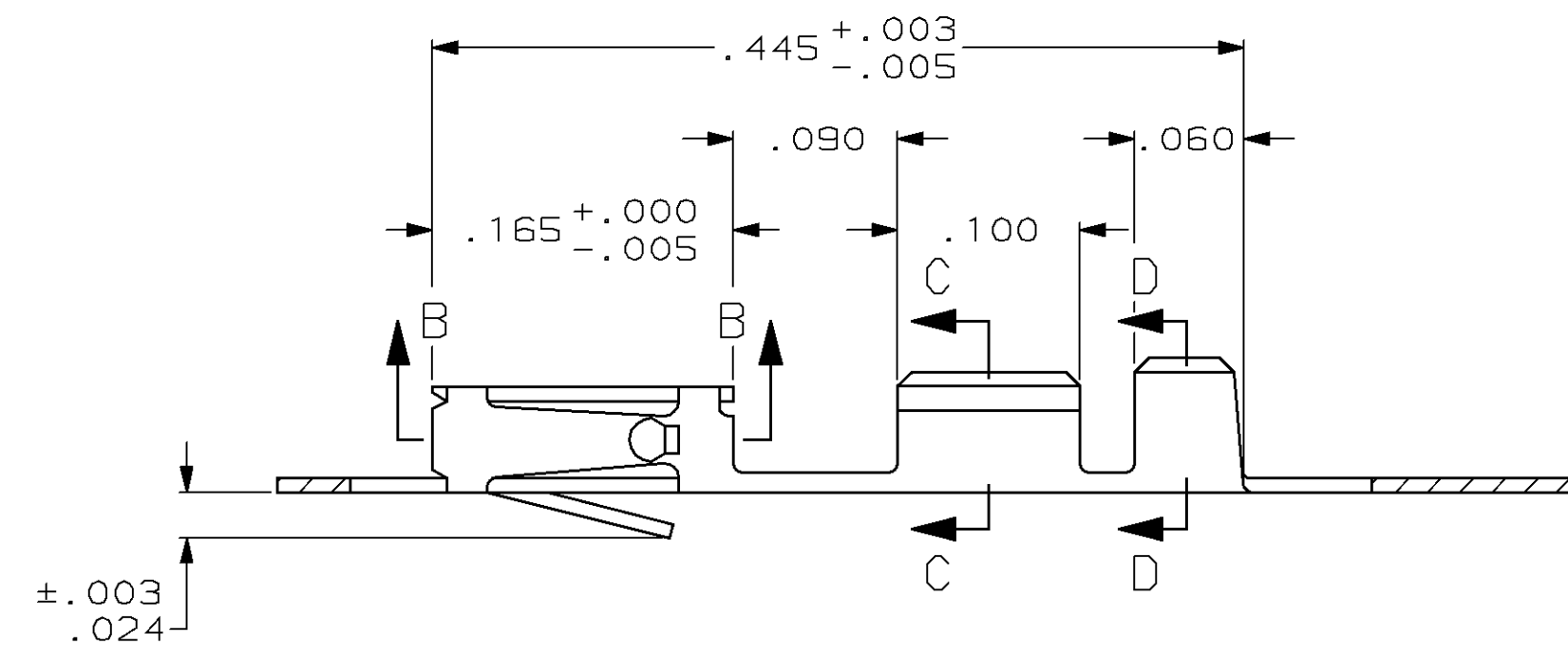
SECTION C-C

WIRE SIZE #26-#30



SECTION D-D

INSULATION RANGE .048 MAX



- ① GOLD PLATING IS NOT REQUIRED IN THIS AREA.
- ② CUT-OUTS ON THE BOX ARE AT MANUFACTURERS OPTION.
- ③ THIS TERMINAL IS REELED FOR THE STANDARD APPLICATOR.
- ④ THIS TERMINAL IS REELED FOR THE MINI APPLICATOR.
- ⑤ .000030 GOLD OVER .000050 NICKEL.
- ⑥ .000030 GOLD ON THE CONTACT AREA, GOLD FLASH ON THE REMAINDER ALL OVER .000050 NICKEL.
- ⑦ .000100-.000200 BRIGHT TIN-LEAD OVER .000050 NICKEL.
- ⑧ .000050 GOLD OVER .000050 NICKEL.
- ⑨ .000015 GOLD ON THE CONTACT AREA, GOLD FLASH ON THE REMAINDER ALL OVER .000050 NICKEL.
- ⑩ .000100 GOLD ON THE CONTACT AREA, .000030 GOLD ON THE REMAINDER ALL OVER .000050 NICKEL.
- ⑪ POINT OF MEASUREMENT FOR PLATING THICKNESS (INSIDE BEAMS).
- ⑫ .000015 GOLD IN CONTACT AREA, .000050 NICKEL ON ENTIRE TERMINAL
- ⑬ OBSOLETE PART NUMBER.

③	⑫	⑬	-7	1-	⑬	-9
④	⑫	⑬	-7	1-	⑬	-8
④	⑩	⑬	-6	1-	⑬	-1
④	⑧				1-85967-0	
④	⑦			⑬	85967-9	
④	⑥				85967-8	
④	⑤				85967-7	
④	④				85967-6	
③	⑨	86015-5		⑬	-5	
③	⑧	86015-4	⑬	85967-4		
③	⑦	86015-3	⑬	-3		
③	⑥	86015-2		85967-2		
③	⑤	86015-1	⑬	-1		

REMARKS	FINISH	LOOSE PIECE PART NUMBER	PART NUMBER
---------	--------	-------------------------	-------------

UNLESS OTHERWISE SPECIFIED DIMENSIONS ARE IN INCHES TOLERANCES ON :	DR 12-10-85 L.D. RINGLEY
2 PL DEC ± -	CHK 12-16-85 J.L. GESFORD
3 PL DEC ± .005	APPD 12-16-85 J.L. GESFORD
ANGLES ± -	APPD 12-16-85 CLIFFORD LINDGREN
MATERIAL: BERYLLIUM COPPER, .008 THICK	PRODUCT SPEC 108-25,020
FINISH: SEE TABLE	APPLICATION SPEC 114-25,003
	WEIGHT -

AMP AMP INCORPORATED Harrisburg, Pa. 17105	
NAME CONTACT, MOD IV, RECEPTACLE, CRIMP SNAP-IN	
SIZE C	FSCM NO 00779
SCALE NTS	DRAWING NO 85967
SHEET 1 - 1	

单击下面可查看定价，库存，交付和生命周期等信息

[>>TE Connectivity\(泰科\)](#)