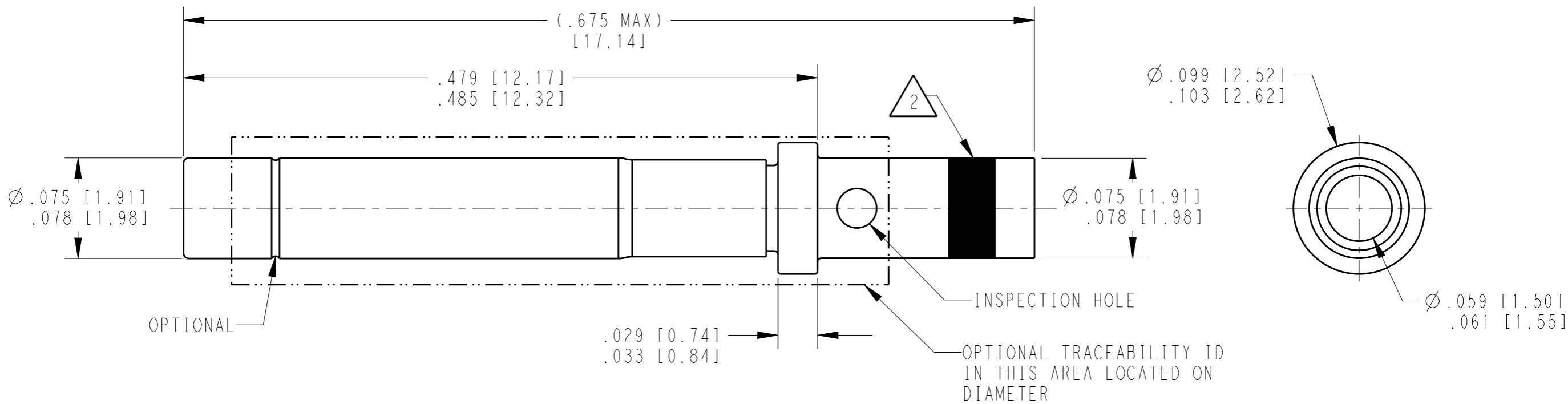


REVISIONS					
P	LTR	DESCRIPTION	DATE	DWN	APVD
B		REVISED PER E.O. P21283	25JAN2012	DM	RDR
C		REVISED PER PCN E-18-001206	24JAN2018	JA	DM
C1		REVISED PER PCN E-19-008828	04JUN2019	JA	DM
C2		REVISED PER PCN E-19-018080	19NOV2019	MK	DM



TE INTERNAL PN	DEUTSCH PN	PLATING
0462-005-2031	0462-005-2031	GOLD
0462-005-20141	0462-005-20141	NICKEL
0462-005-20309	0462-005-20309	TIN

- (C2) 3. SEE APPLICATION SPECIFICATION 114-151004 FOR CRIMP TOOLS AND WIRE RANGE
- (2) SOCKET CONTACT IS IDENTIFIED BY A SINGE PURPLE STRIPE.
- (C2) 1. DELETED.

NOTES: UNLESS OTHERWISE SPECIFIED

THIS DRAWING IS A CONTROLLED DOCUMENT.		DWN D. MEYER 14SEP2007														
DIMENSIONS: INCHES [mm]		CHK D. MEYER 23JAN2012														
TOLERANCES UNLESS OTHERWISE SPECIFIED:		APVD R. REED 03FEB2012	NAME CONTACT SOCKET SIZE 20													
<table border="0"> <tr><td>0 PLC</td><td>±</td></tr> <tr><td>1 PLC</td><td>±</td></tr> <tr><td>2 PLC</td><td>±</td></tr> <tr><td>3 PLC</td><td>±</td></tr> <tr><td>4 PLC</td><td>±</td></tr> <tr><td>ANGLES</td><td>±</td></tr> </table>		0 PLC	±	1 PLC	±	2 PLC	±	3 PLC	±	4 PLC	±	ANGLES	±	PRODUCT SPEC 108-151004	SIZE A3	
0 PLC	±															
1 PLC	±															
2 PLC	±															
3 PLC	±															
4 PLC	±															
ANGLES	±															
MATERIAL		APPLICATION SPEC 114-151004	CAGE CODE 4AFU8	DRAWING NO 0462-005-20XX												
FINISH		WEIGHT 0.26g	RESTRICTED TO -													
CUSTOMER DRAWING			SCALE 12:1	SHEET 1 OF 1												
REV C2																

单击下面可查看定价，库存，交付和生命周期等信息

[>>TE Connectivity\(泰科\)](#)