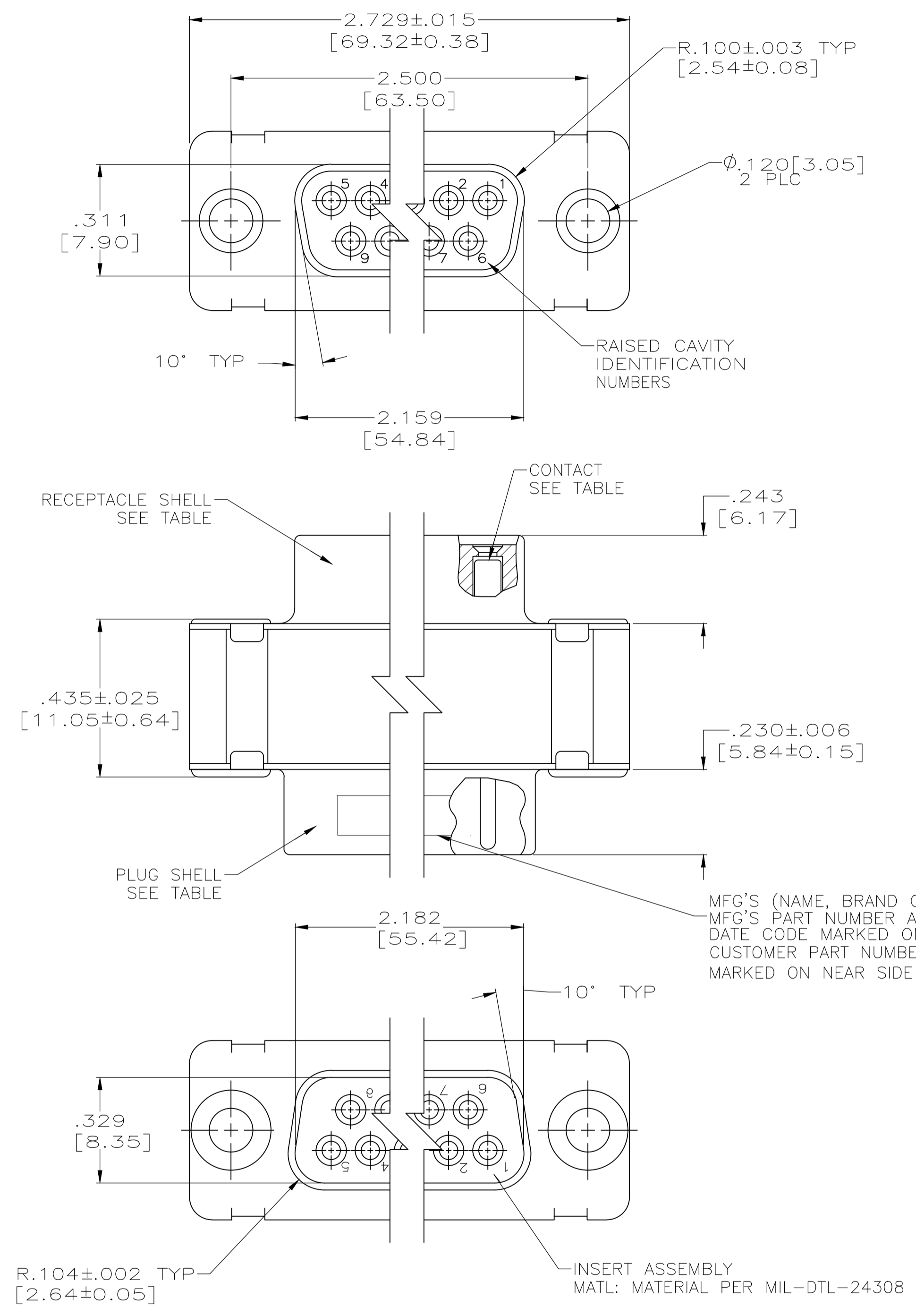
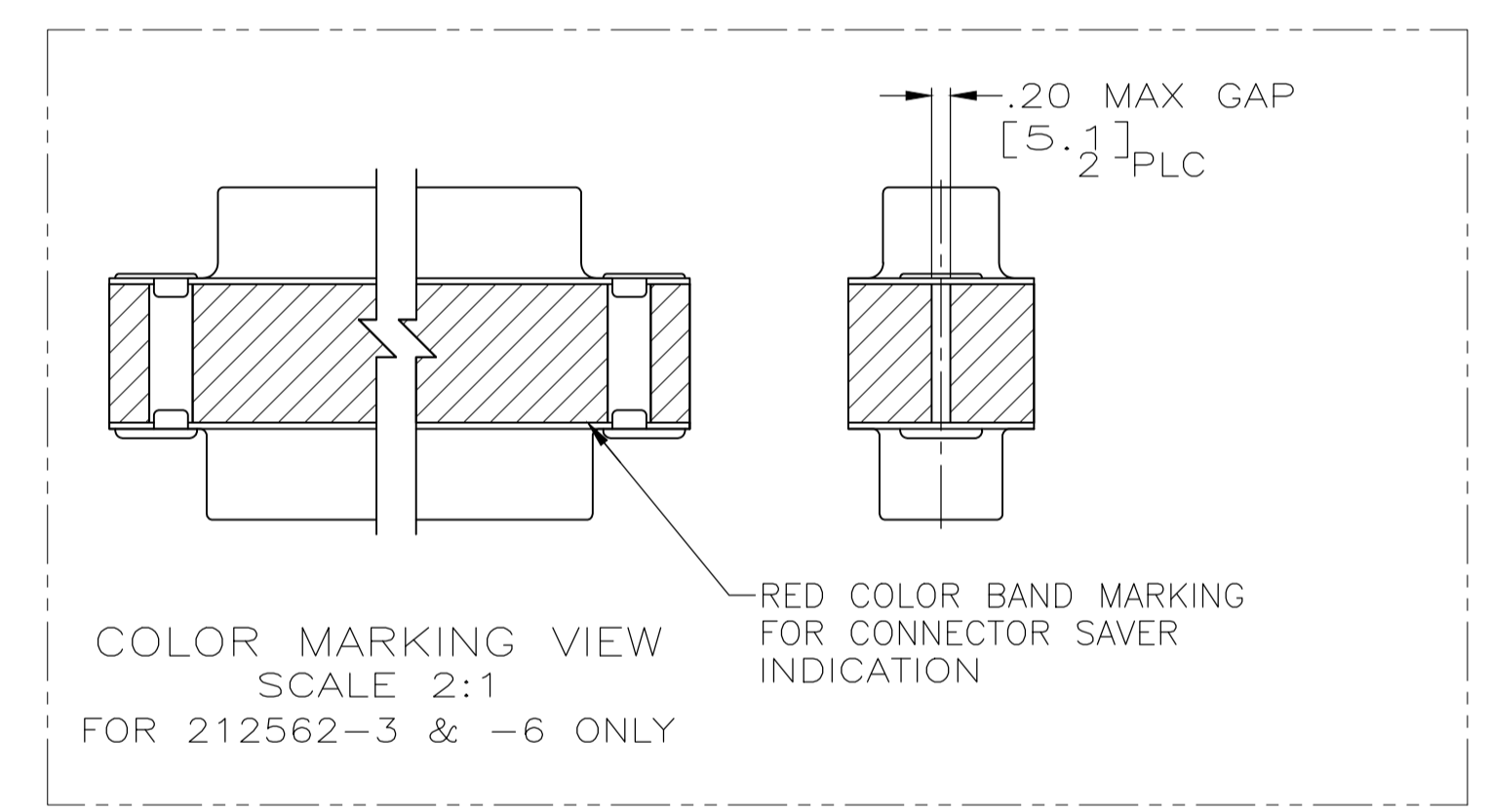


REVISIONS					
P	LTR	DESCRIPTION	DATE	DMN	APVD
U		REV PER ECO 18-019896	2-14-19	CT	DM



- 1. CONTACTS INCLUDED IN ASSEMBLY EXCEPT FOR 212562-7.
- △ MATL: STEEL, PER ASTM-A-109.
- △ FINISH: CADMIUM PER QQ-P-416.
- △ CONTACT  
 BODY MATL: BERYLLIUM COPPER PER ASTM-B-197.  
 BODY FINISH: PLATED GOLD, .000050 MIN THK PER MIL-G-45204 OVER NICKEL, .000050 MIN THK PER QQ-N-290.
- △ HOOD MATL: STAINLESS STEEL PER ASTM-A-167.  
 HOOD FINISH: PASSIVATED PER ASTM-A-380.
- △ FINISH: PLATED ZINC .00020 MIN THK PER ASTM-B-633. YELLOW CHROMATE FINISH.
- △ MATL: BRASS PER ASTM-B-36.
- △ FINISH: PLATED GOLD, .000050 MIN THK PER MIL-G-45204 OVER COPPER, .000100 MIN THK PER MIL-C-14550.
- △ CONTACT  
 BODY MATL: BERYLLIUM COPPER PER ASTM-B-197.  
 BODY AND HOOD FINISH: PLATED GOLD, .000050 MIN THK PER MIL-G-45204 OVER COPPER, .000100 MIN THK PER MIL-C-14550.
- △ HOOD MATL: BRASS PER ASTM-B-36



△△	△△	---	PT2-111-4	212562-7
△△	△△	△	4U884 SOCN R10002677-0104	212562-6
△△	△△	△	PT2-111-10	212562-5
△△	△△	△	-	212562-4
△△	△△	△	(1J02-104)	212562-3
△△	△△	△	-	212562-2
△△	△△	△	-	212562-1
EYELET	SHELLS	CONTACT	CUSTOMER P/N	PART NO.

OBSOLETE

THIS DRAWING IS A CONTROLLED DOCUMENT.		DIN 27-May-15 MANJUNATH G M		STE TE Connectivity	
DIMENSIONS: INCHES		TOLERANCES UNLESS OTHERWISE SPECIFIED:		NAME: CHARLES THOMAS	
0 PLC ± -		1 PLC ± -		APVD: CHARLES THOMAS	
2 PLC ± -		3 PLC ± .005 [0.13]		PRODUCT SPEC	
4 PLC ± -		ANGLES ± -		APPLICATION SPEC	
MATERIAL		FINISH		SIZE: A1	
				CAGE CODE: 00779	
				DRAWING NO: 212562	
				RESTRICTED TO	
				WEIGHT: 0	
				CUSTOMER DRAWING	
				SCALE: 4:1	
				SHEET: 1 of 1	
				REV: U	

单击下面可查看定价，库存，交付和生命周期等信息

[>>TE Connectivity\(泰科\)](#)