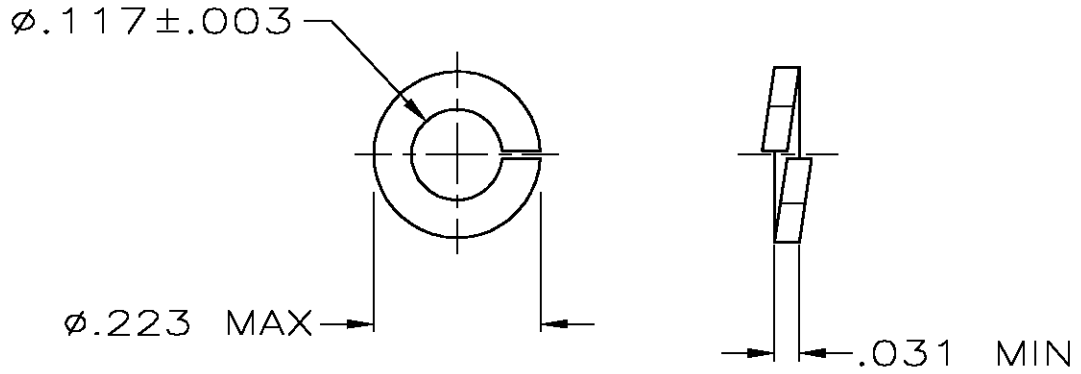


LOC	DIST	REVISIONS					
GP	00	P	LTR	DESCRIPTION	DATE	DWN	APVD
		0		RELEASED PER EC OS13-0207-05	24JAN05	RR	JG



- 1 ZINC PLATED .000200-.000400 THICK, YELLOW CHROMATE COATING.
- 2 ZINC PLATED .000200-.000400 THICK, CLEAR CHROMATE COATING.
- 3 .000100 MIN TIN OVER .000050 MIN COPPER.

3	5207883-5
2	5207883-3
1	5207883-2
FINISH	PART NO

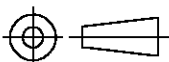
THIS DRAWING IS UNPUBLISHED.

ALL RIGHTS RESERVED.

BY TYCO ELECTRONICS CORPORATION.

COPYRIGHT

DIMENSIONS: INCHES	DWN	R.RICHARDSON	24JUN05	MATERIAL	COLD ROLLED STL	FINISH	SEE TABLE	
	CHK	C.ROHDE	24JUN05	Tyco Electronics Corporation Harrisburg, Pa 17105-3608				
TOLERANCES- UNLESS OTHERWISE SPECIFIED:	APVD	M.WALMSLEY	24JUN05					NAME
0 PLC ± -	PRODUCT SPEC	-			SIZE	CAGE CODE	DRAWING NO	RESTRICTED TO
1 PLC ± -	APPLICATION SPEC	-			A4	00779	C-5207883	-
2 PLC ± -	WEIGHT	-			CUSTOMER DRAWING			
3 PLC ± -					SCALE	4:1	SHEET 1 OF 1	REV 0
4 PLC ± -								
ANGLES ± -								



单击下面可查看定价，库存，交付和生命周期等信息

[>>TE Connectivity\(泰科\)](#)